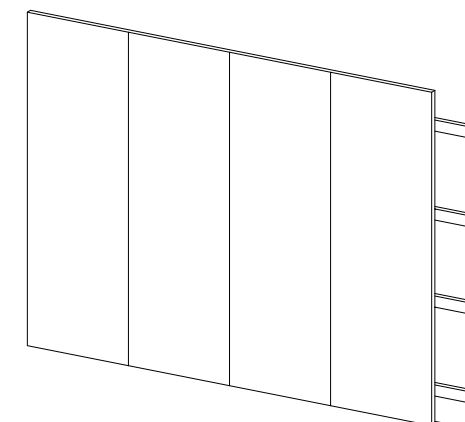
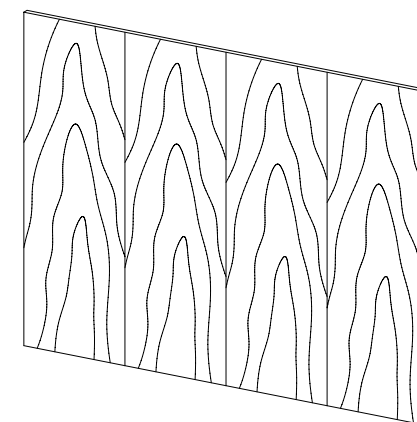
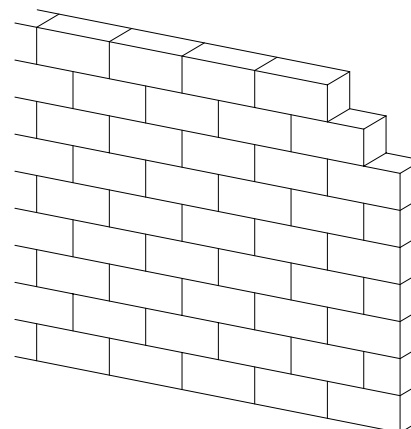
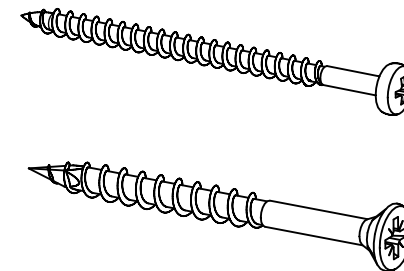
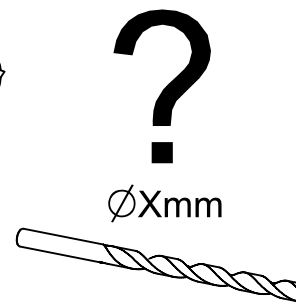
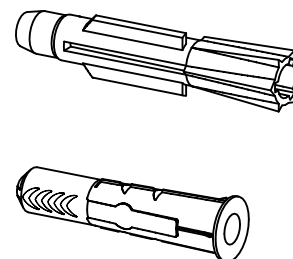
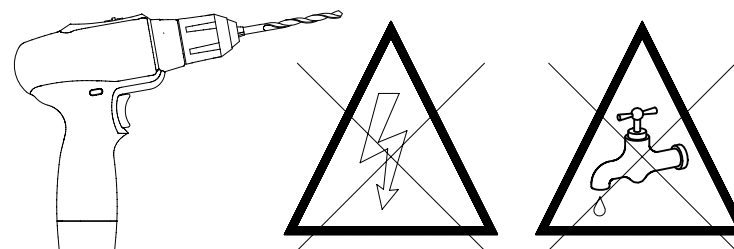
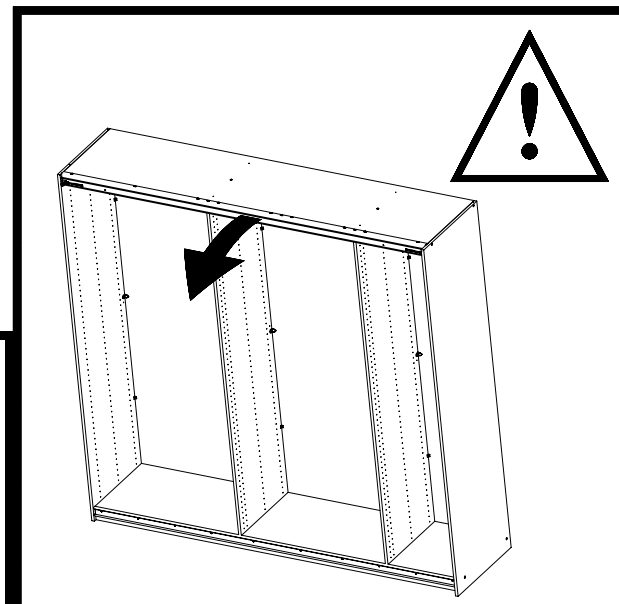
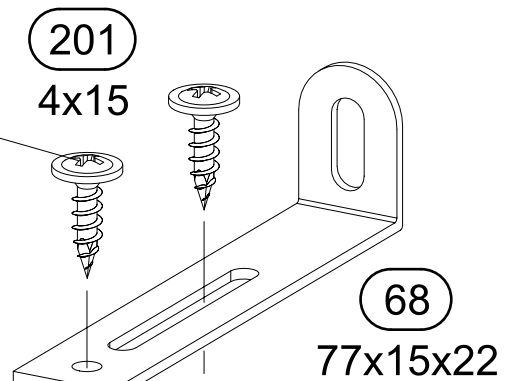
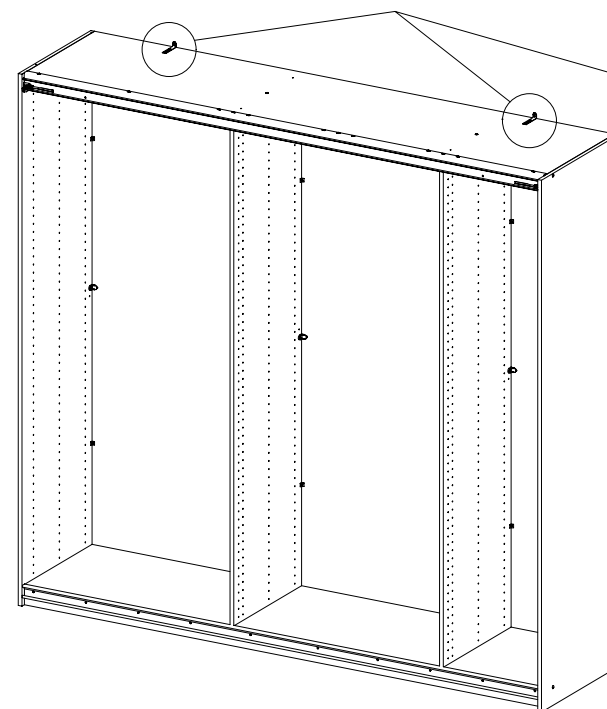
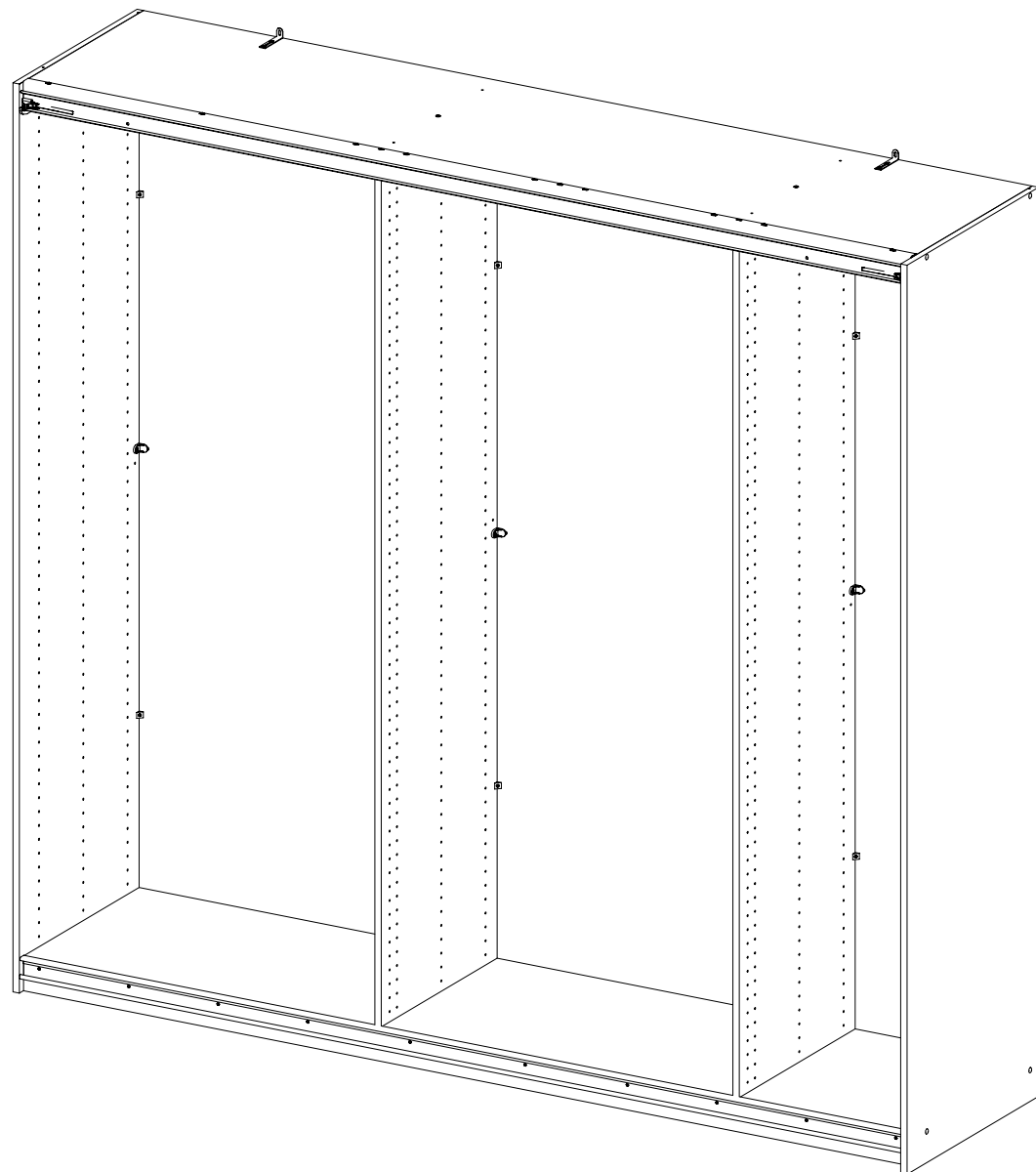
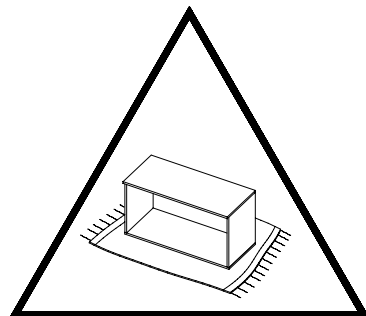
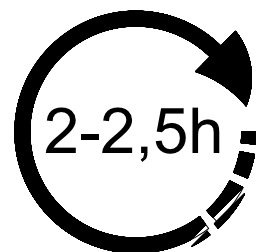
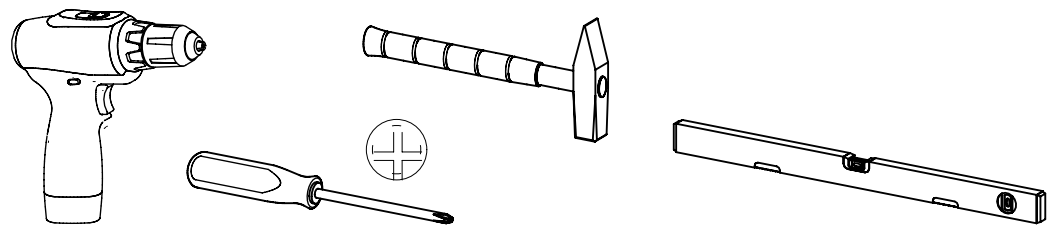
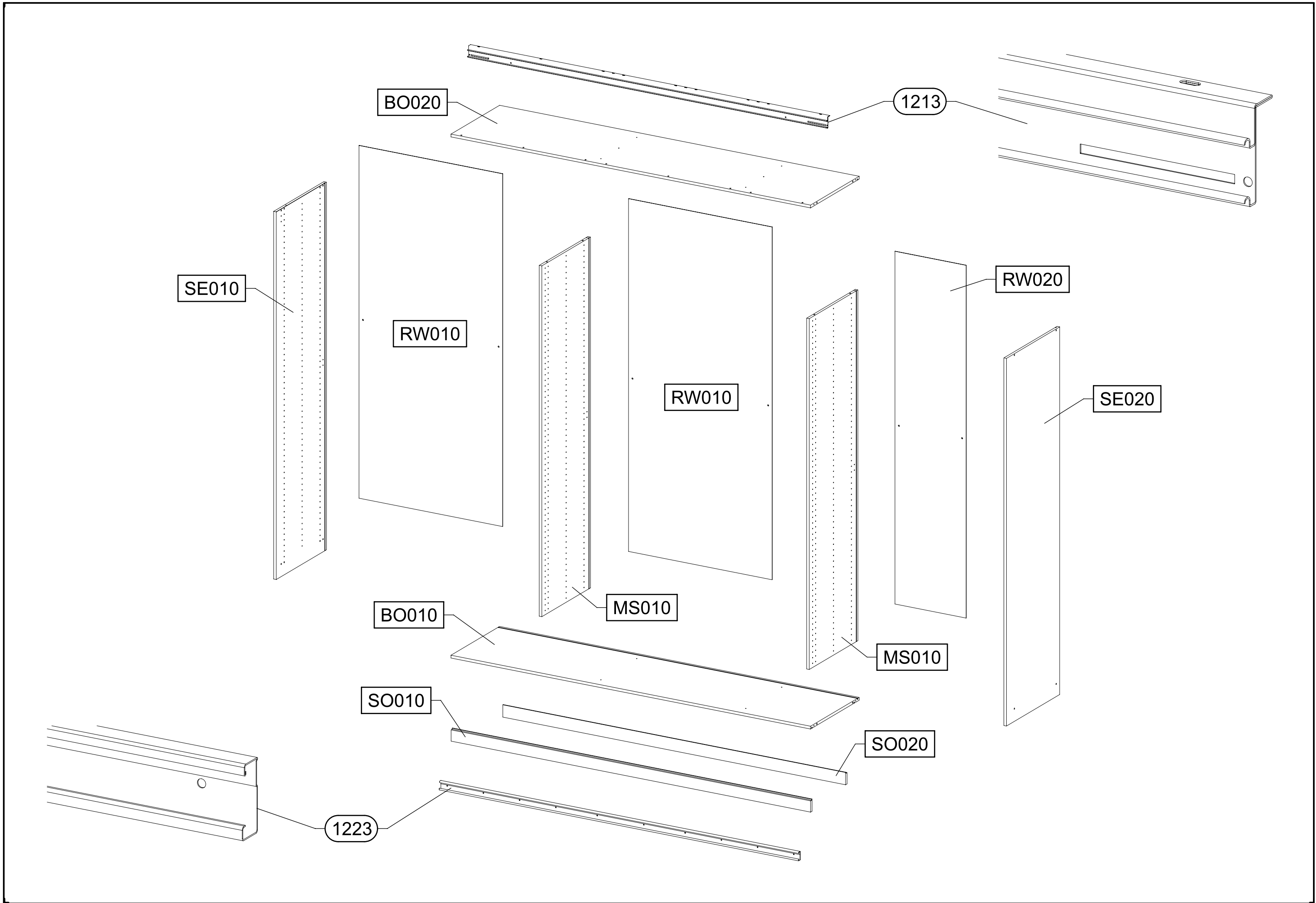
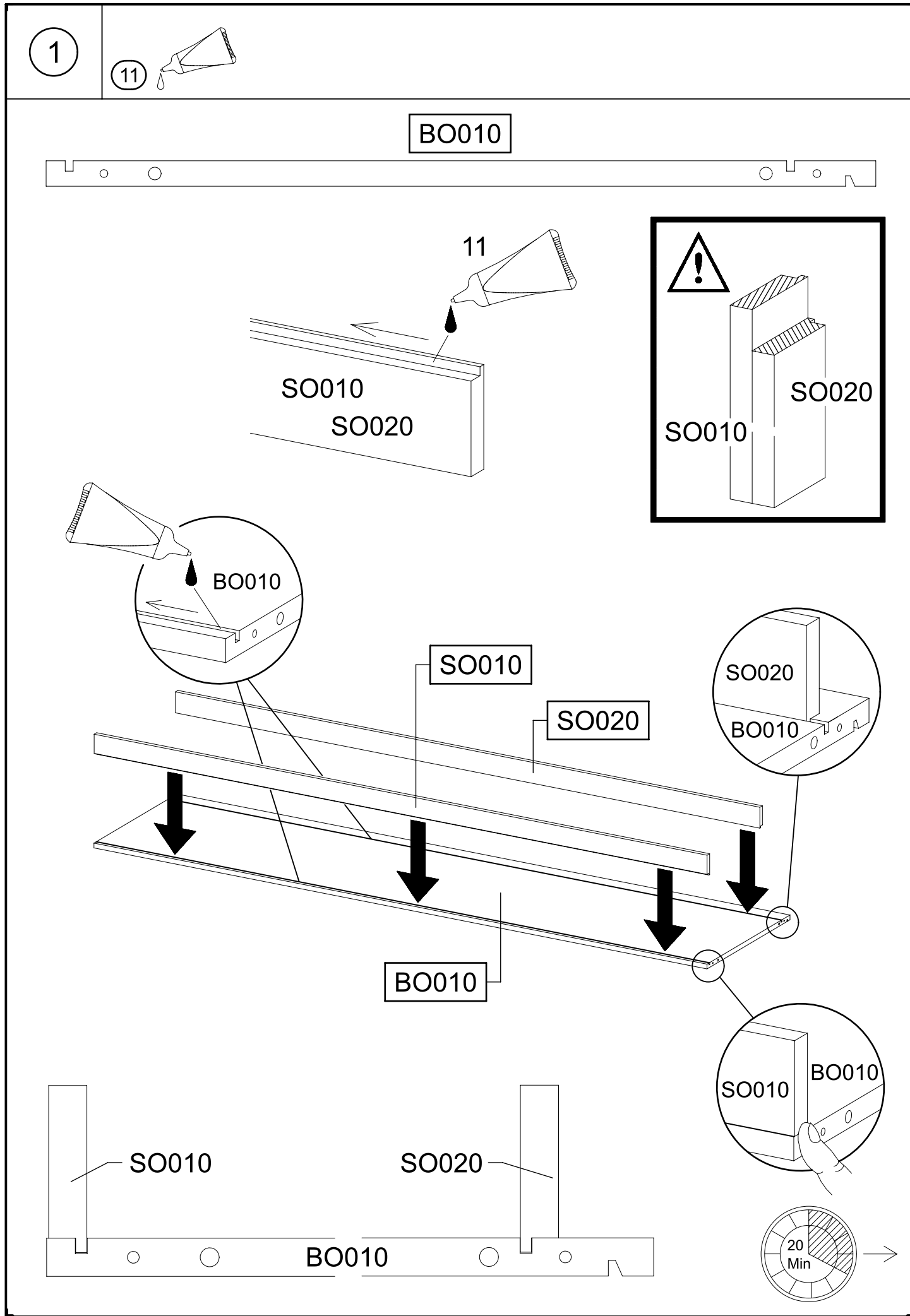
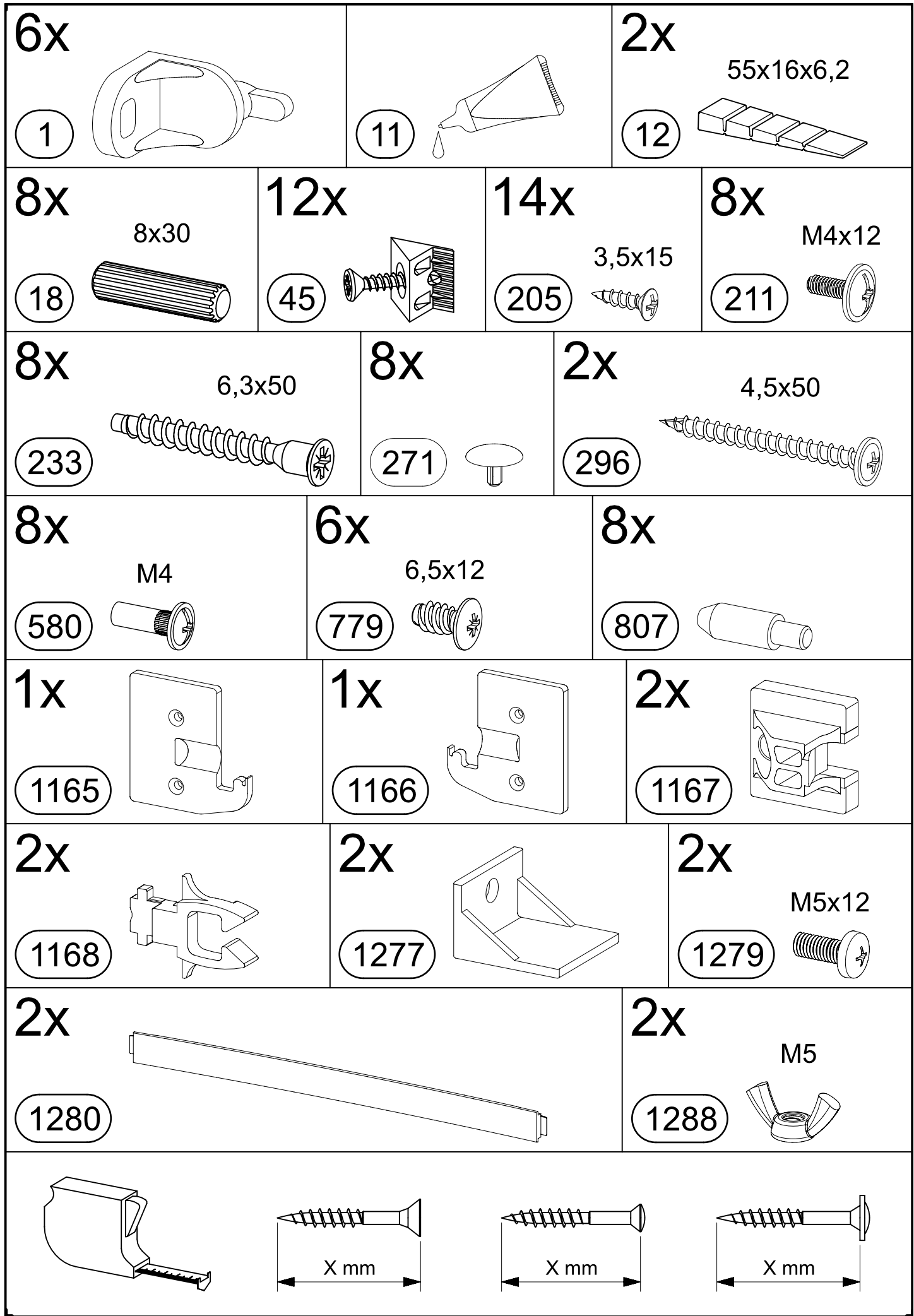
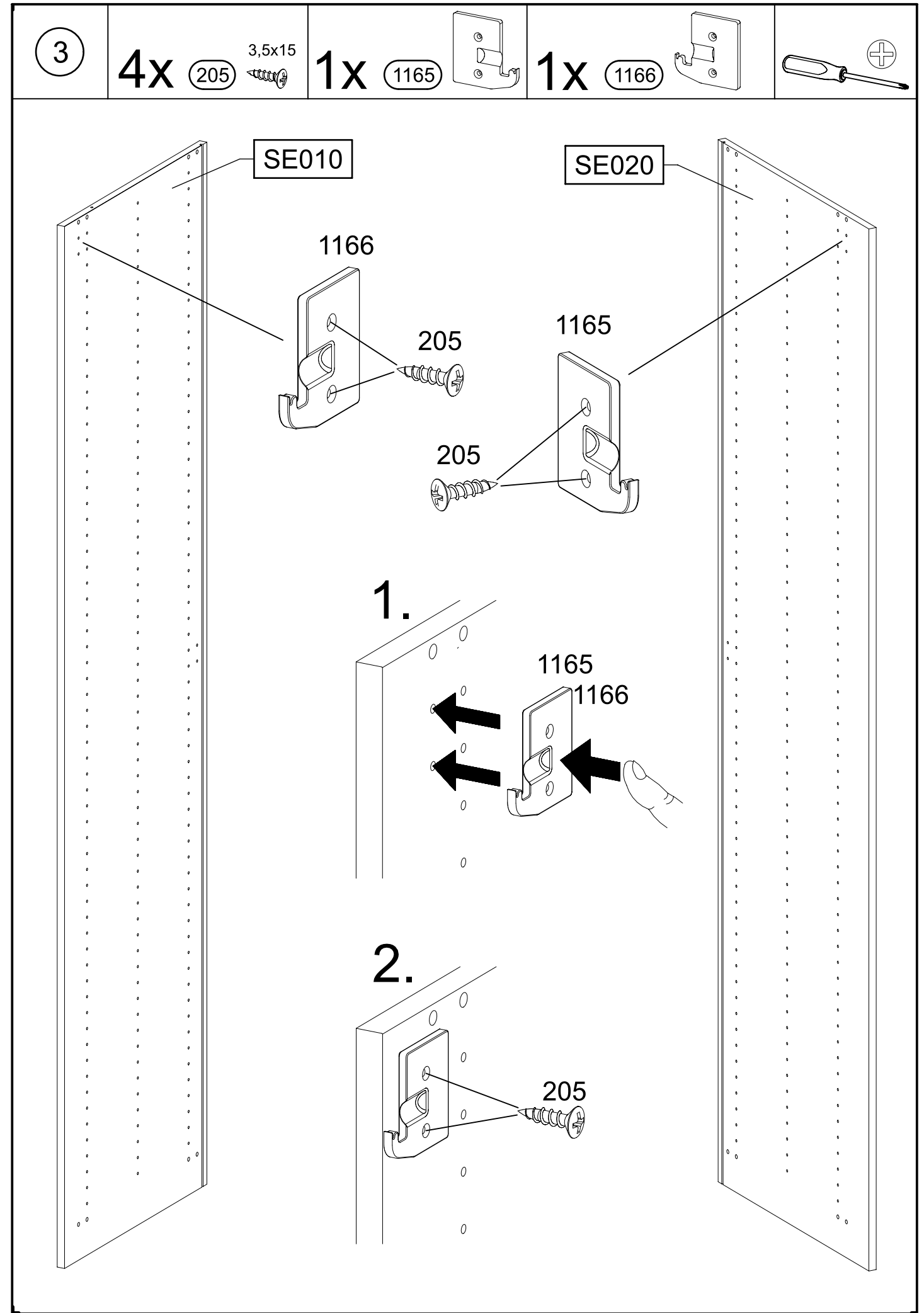
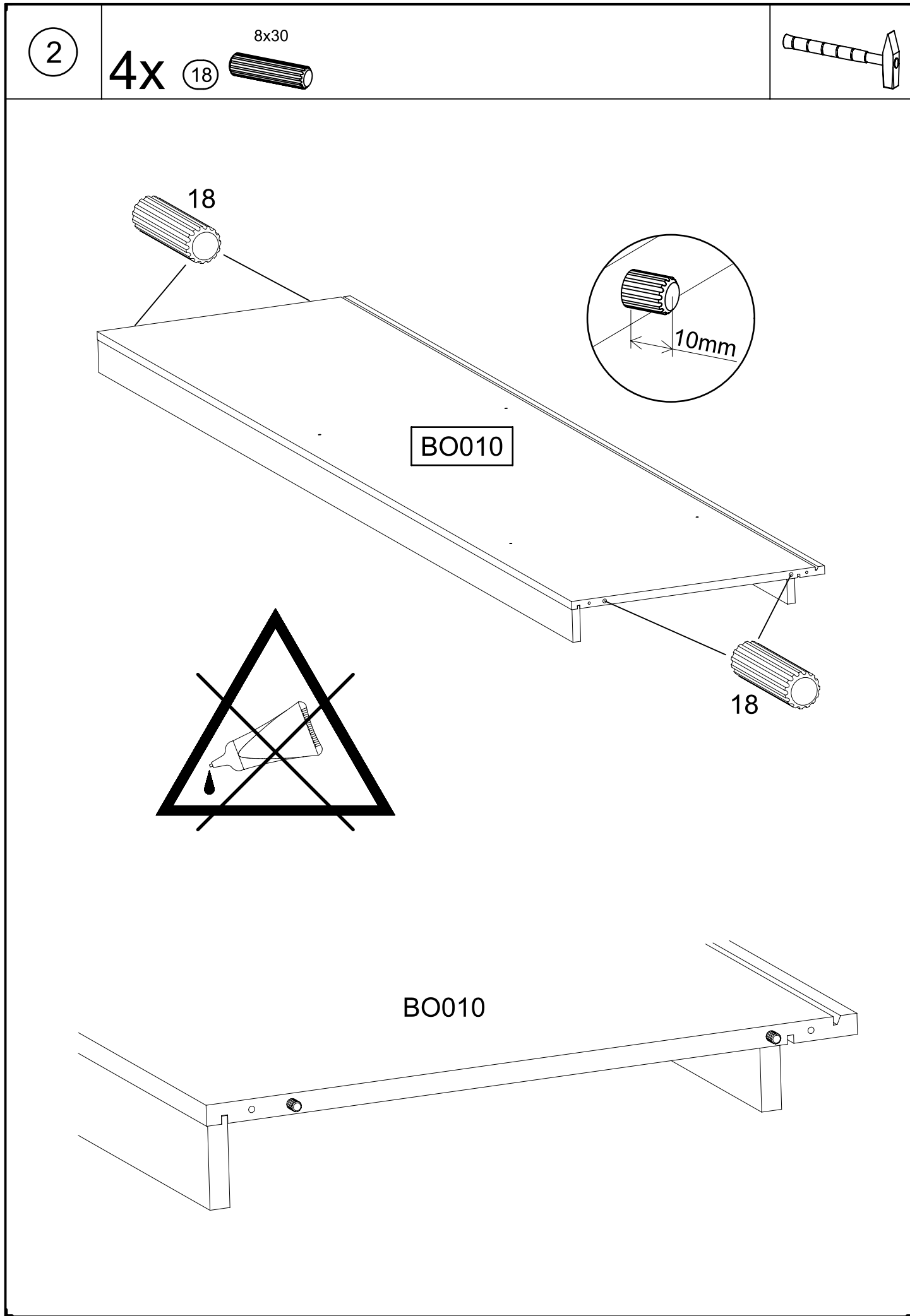


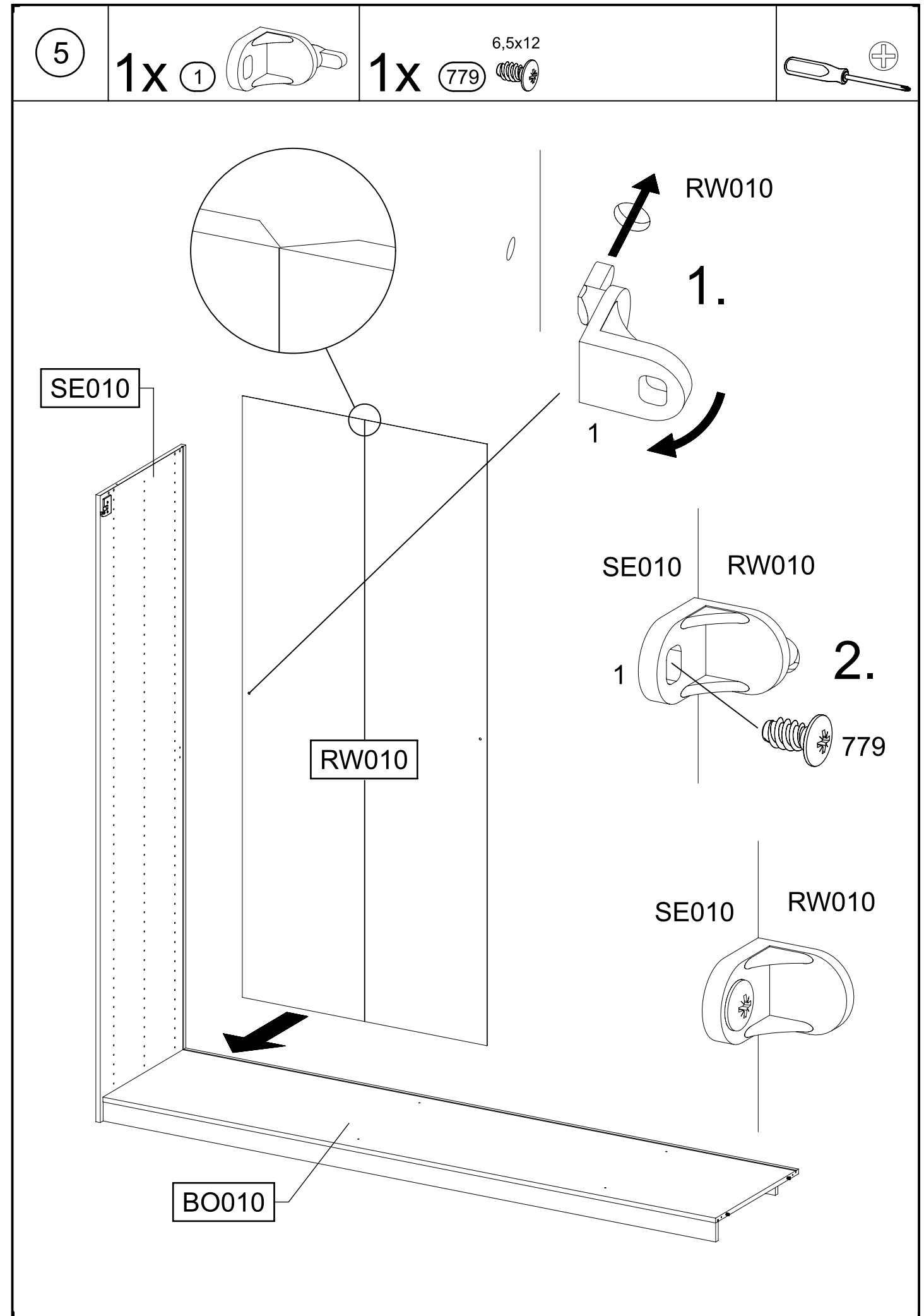
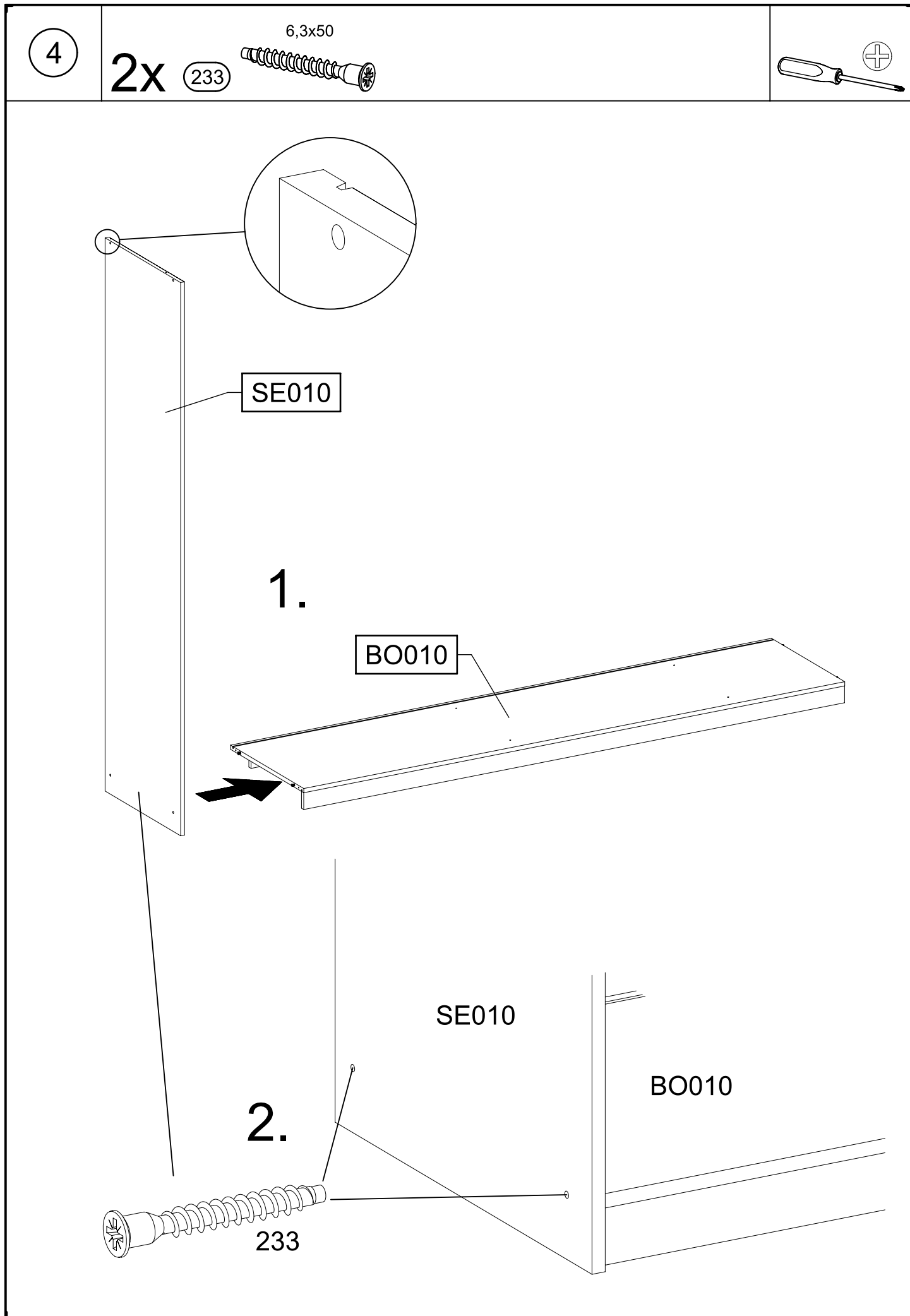
M2582_04







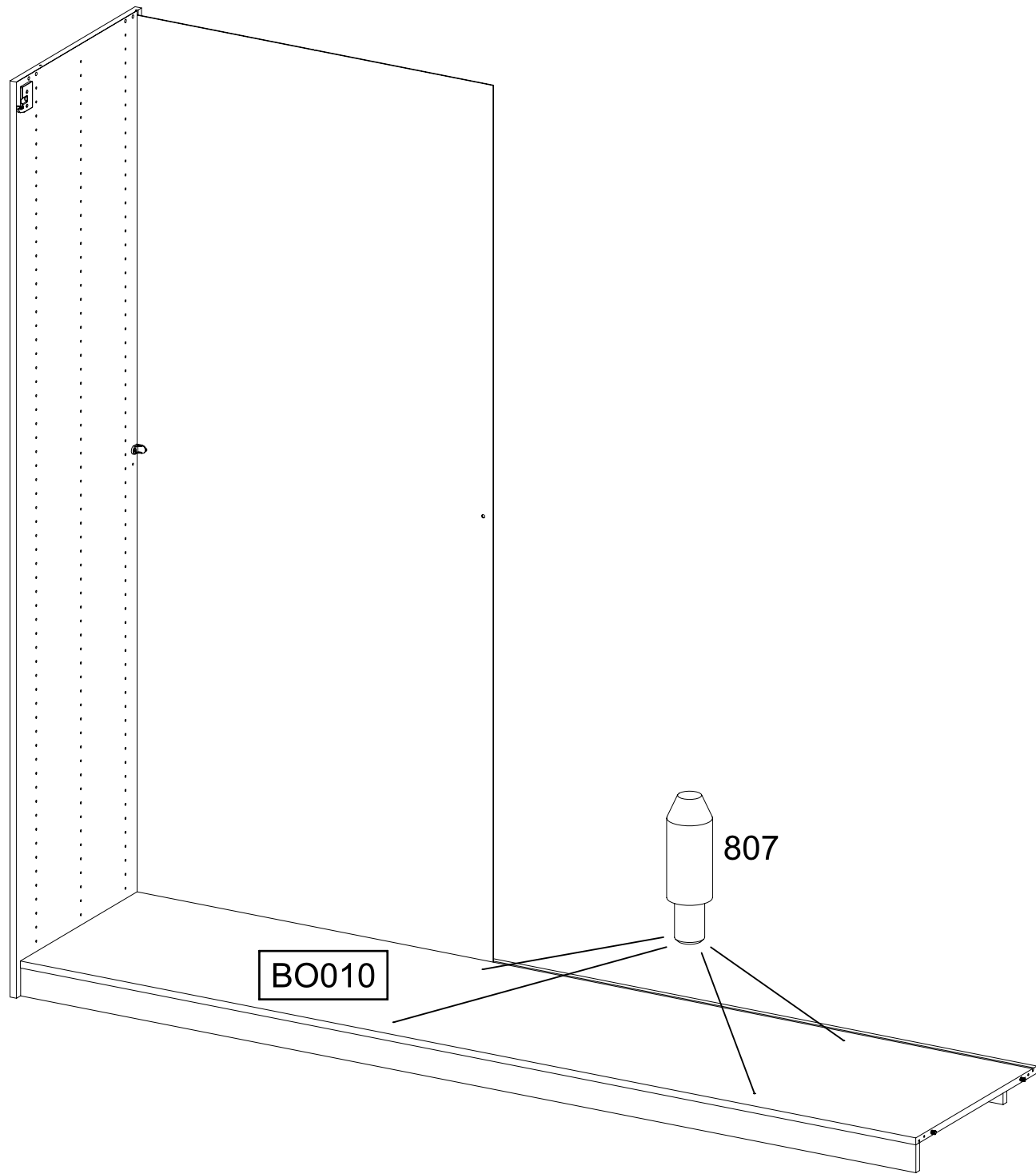
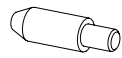




6

4x

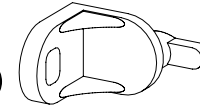
807



7

1x

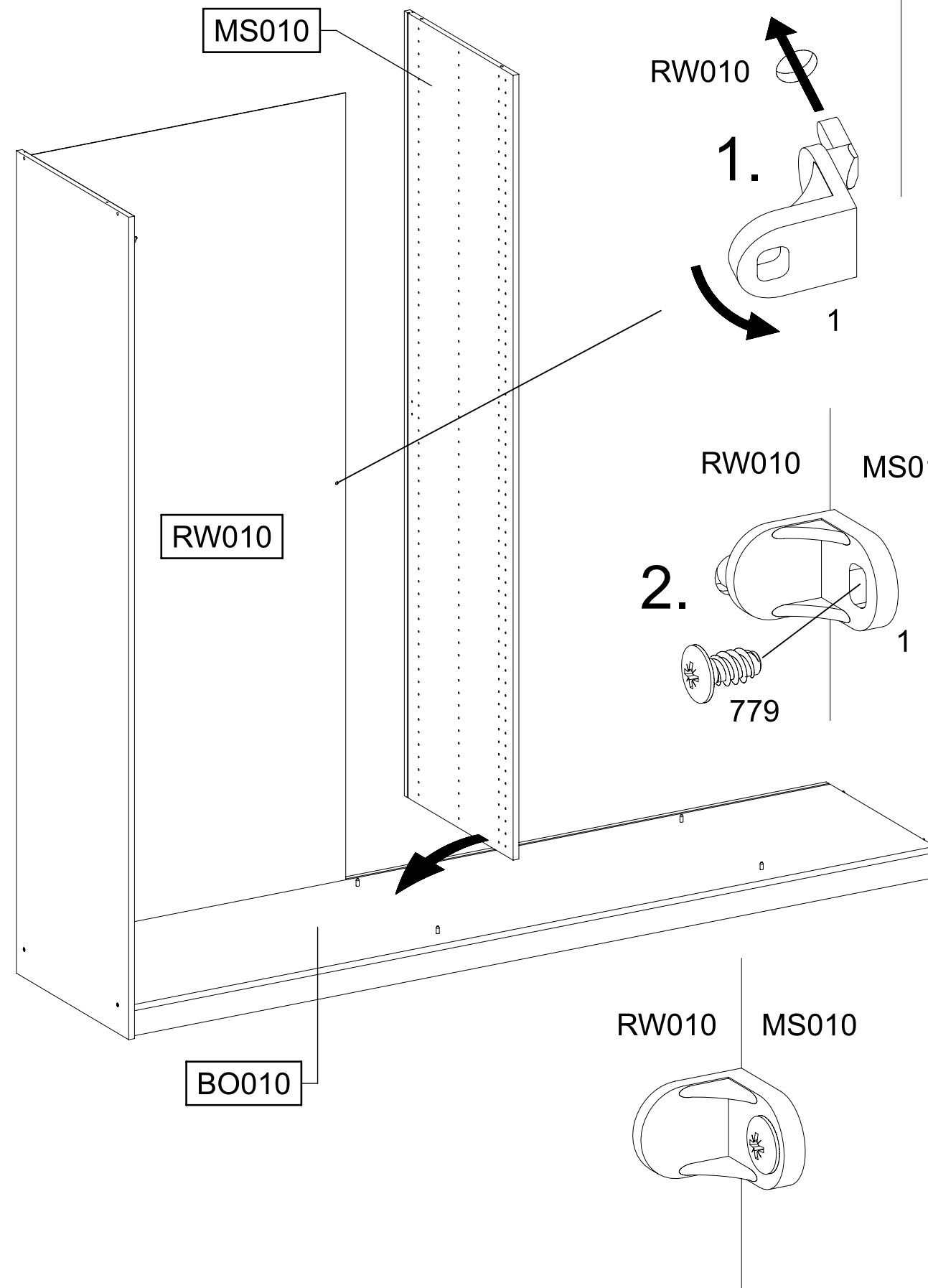
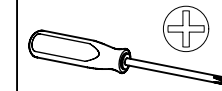
1



1x

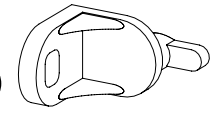
779

6,5x12



8

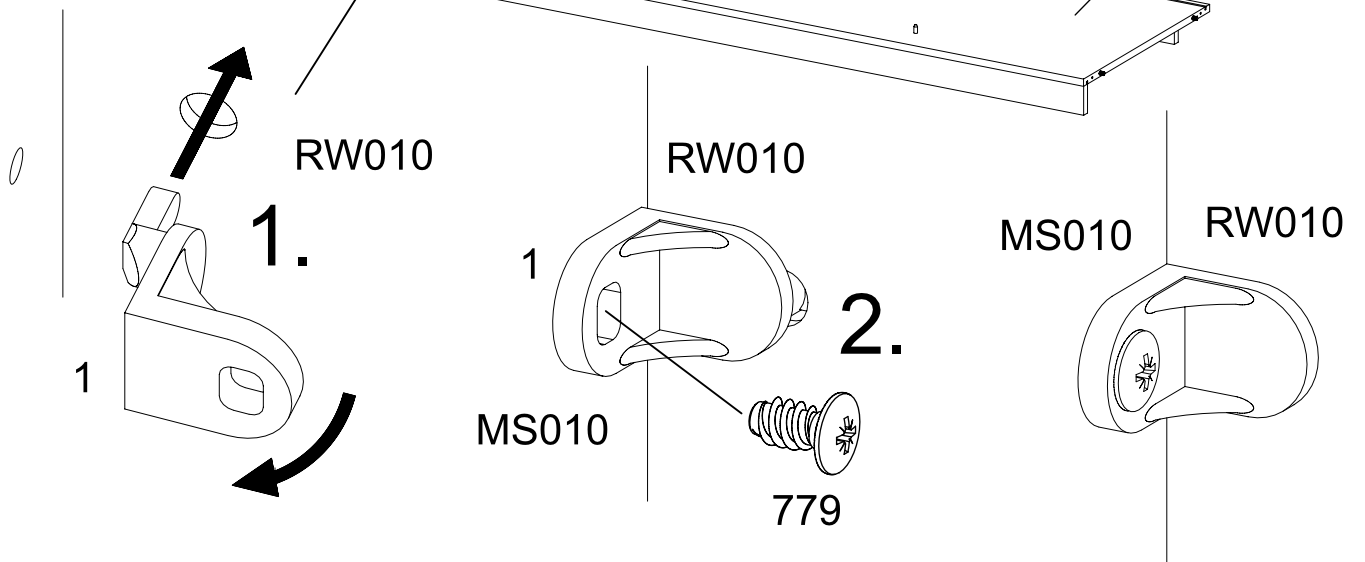
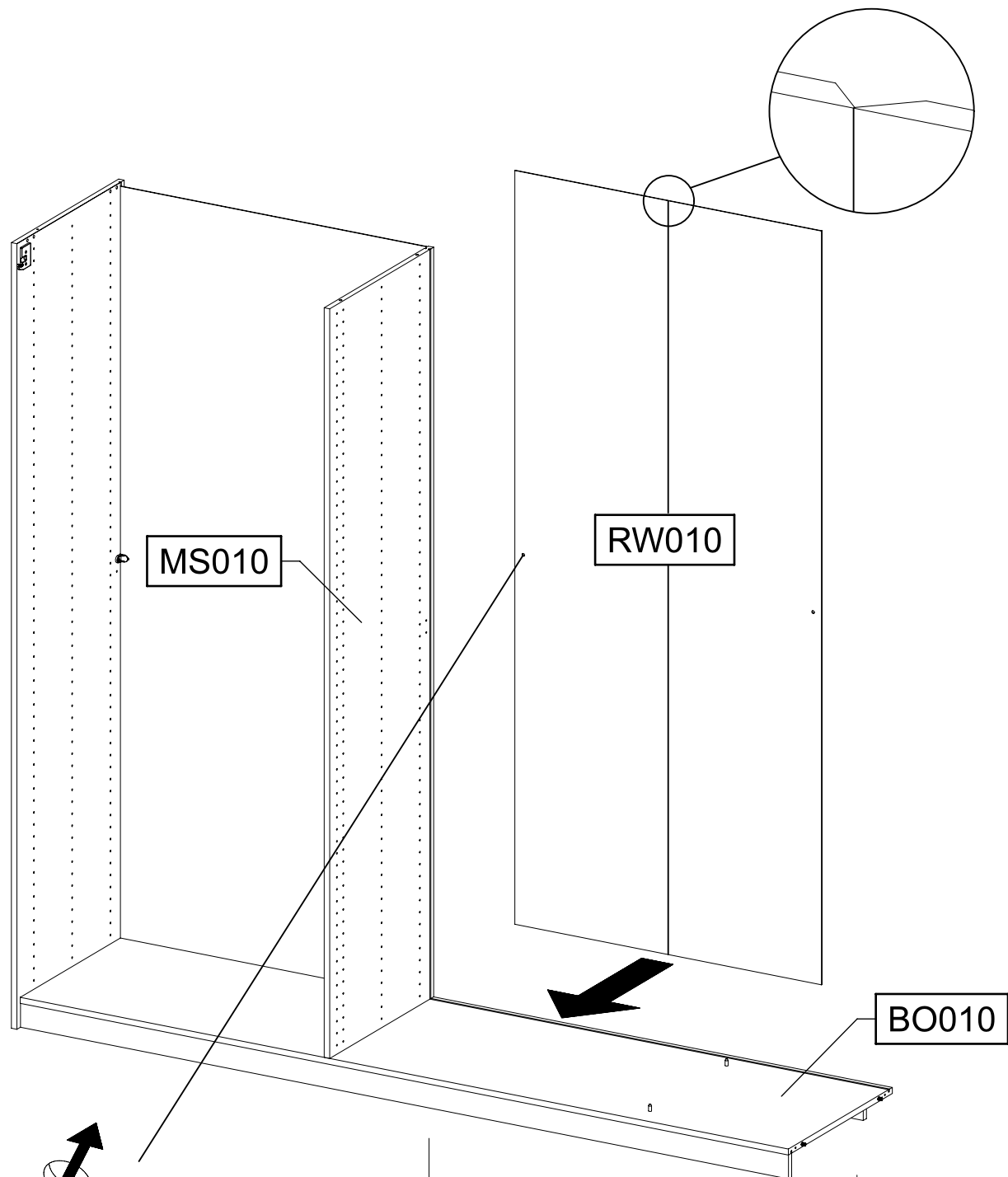
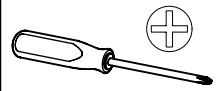
1x 1



1x

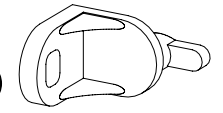
779

6,5x12



9

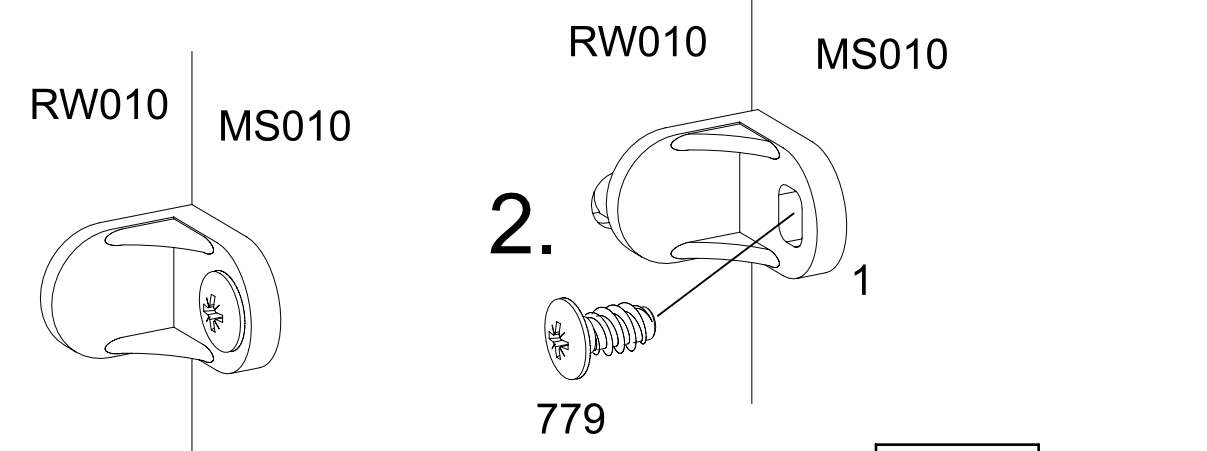
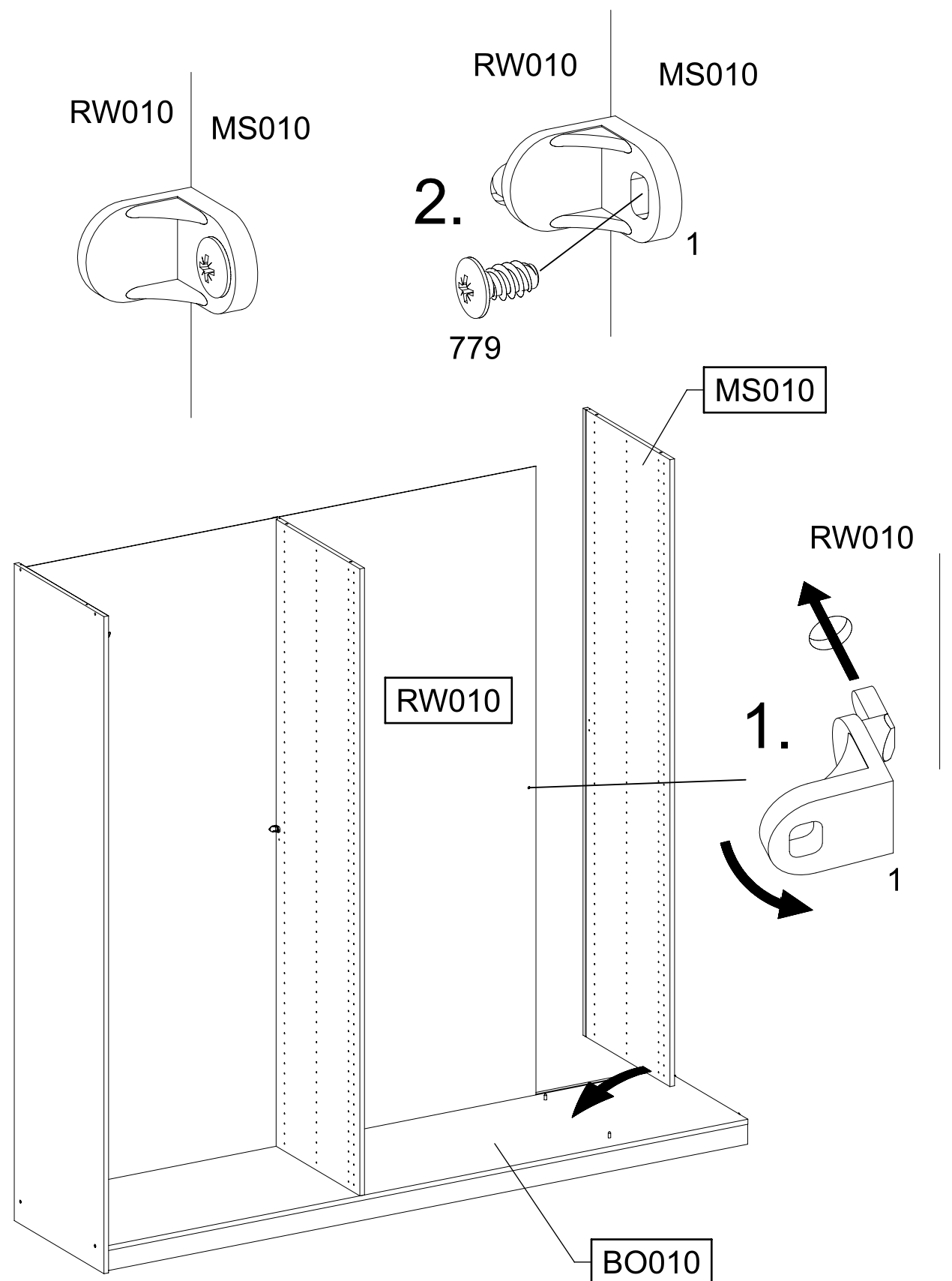
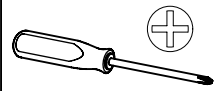
1x 1



1x

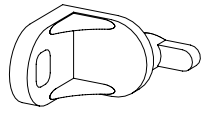
779

6,5x12



10

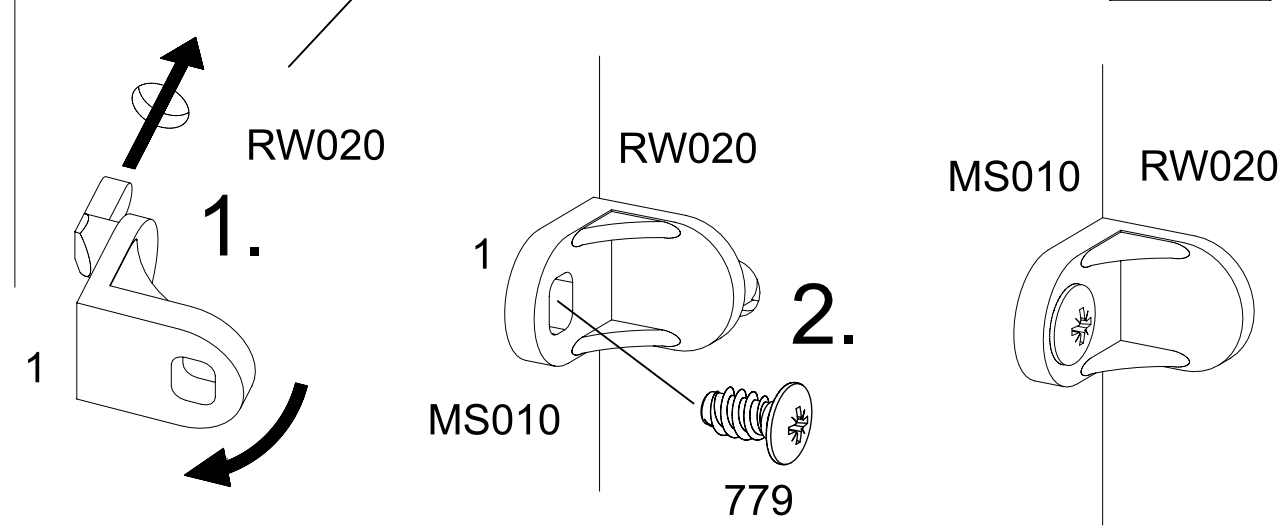
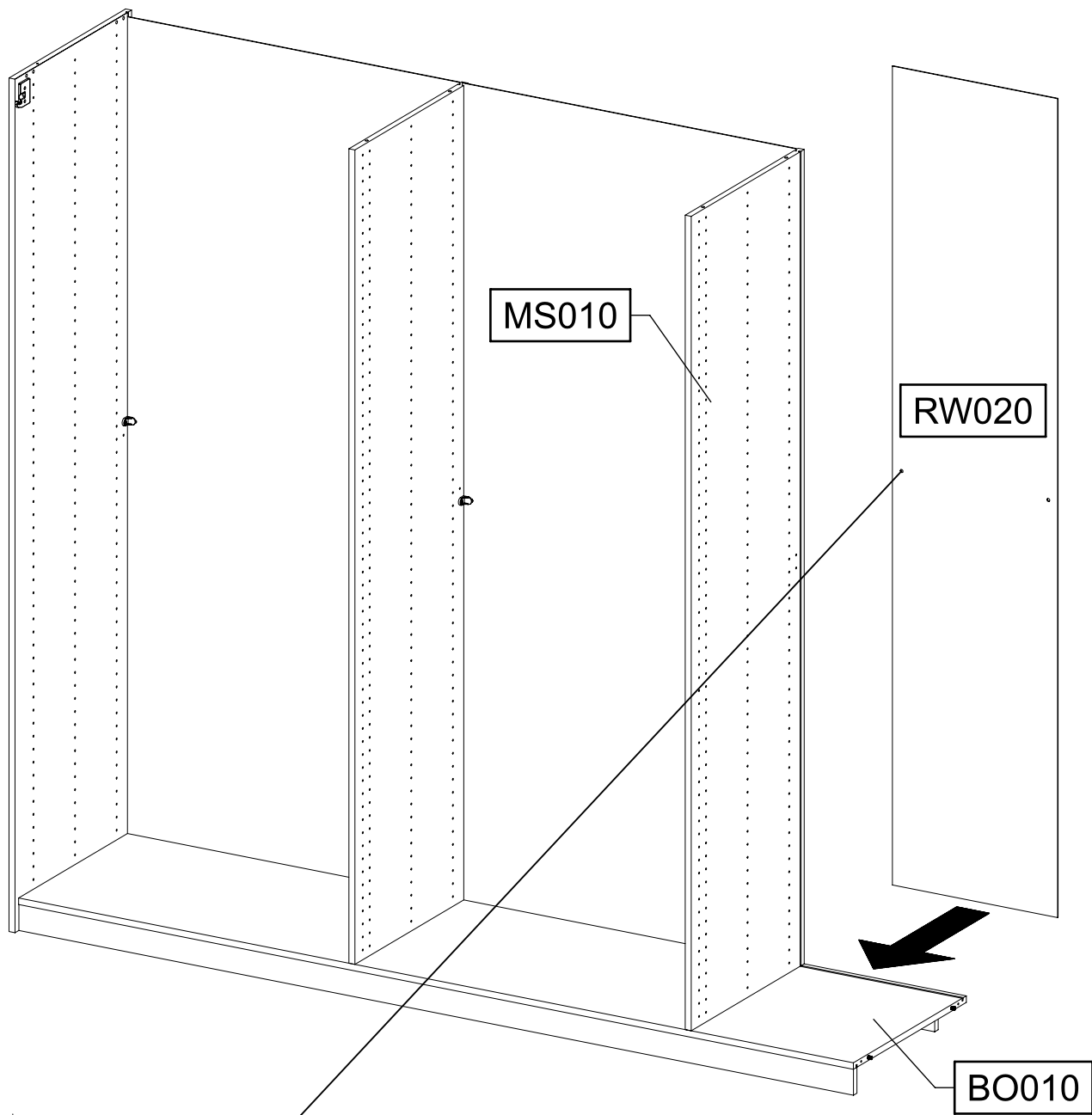
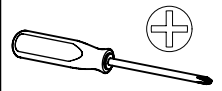
1x 1



1x

779

6,5x12



11

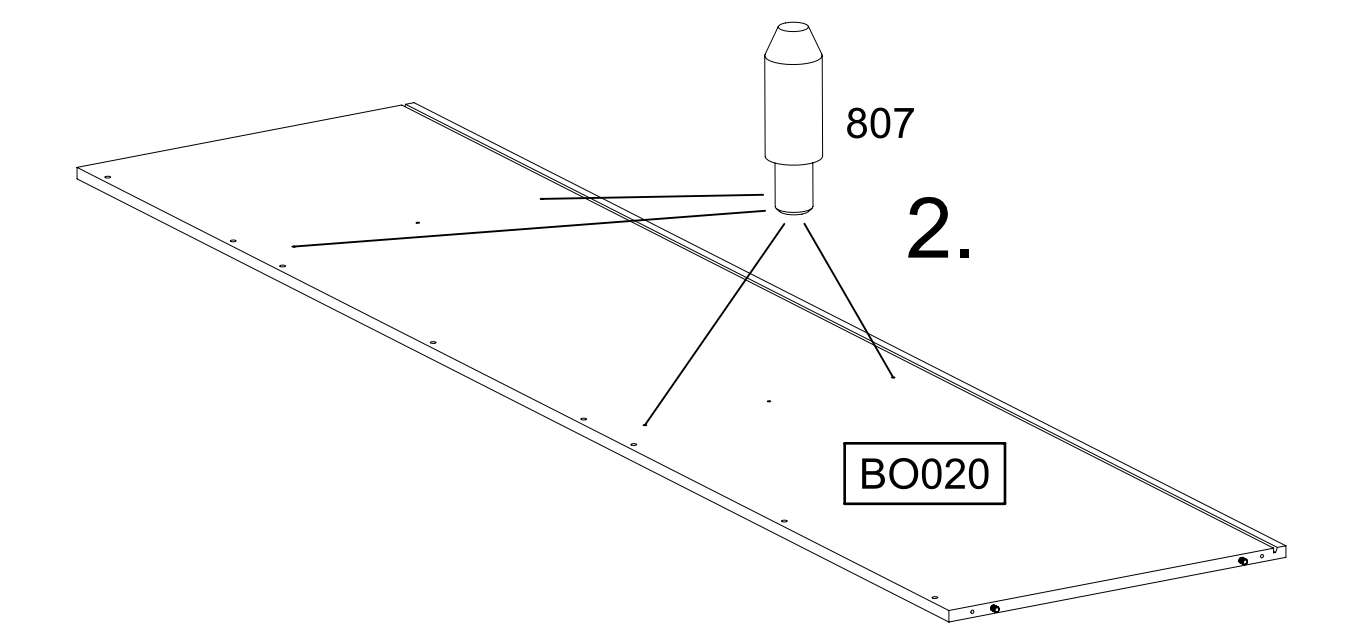
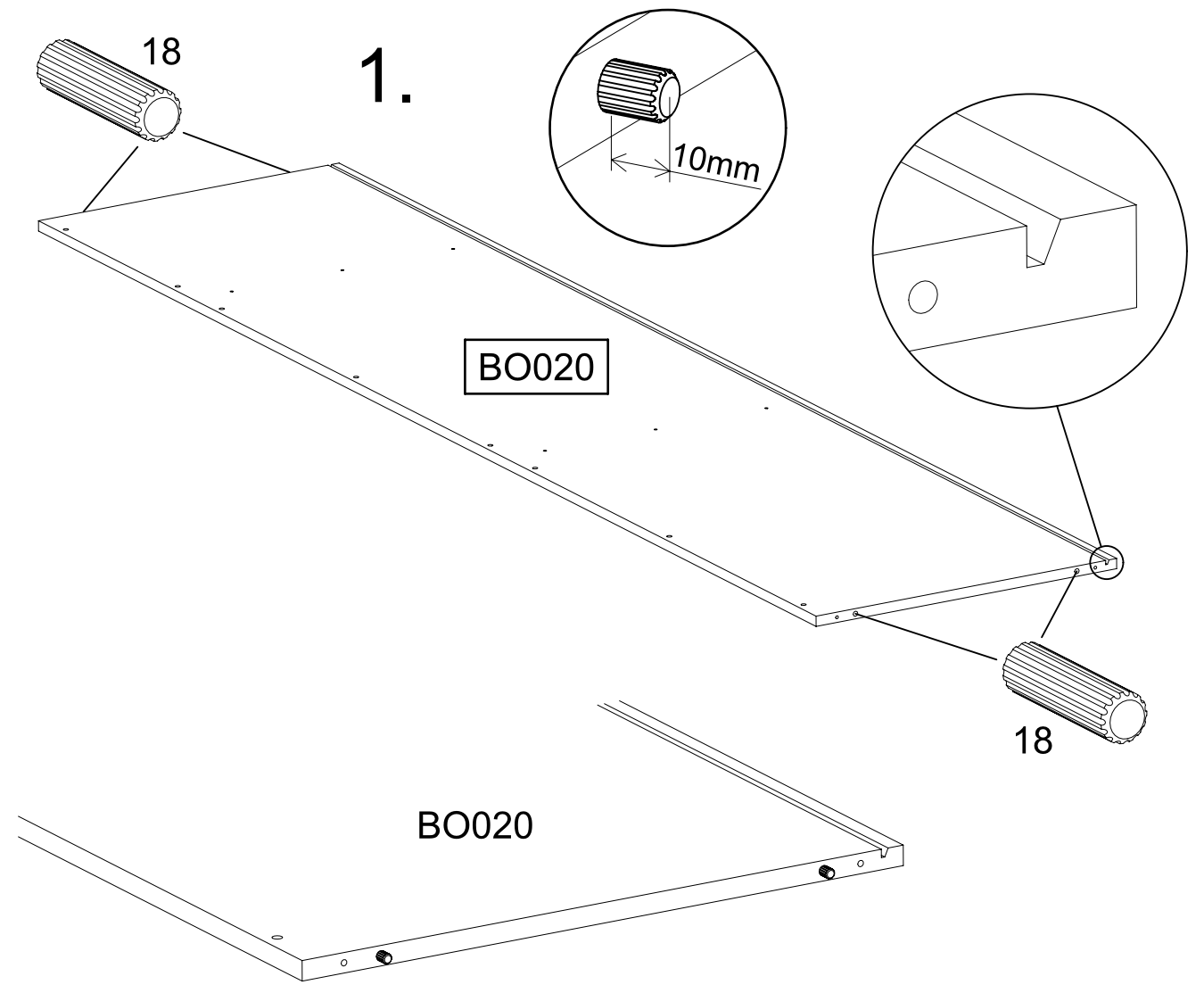
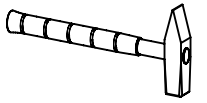
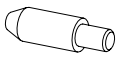
4x 18

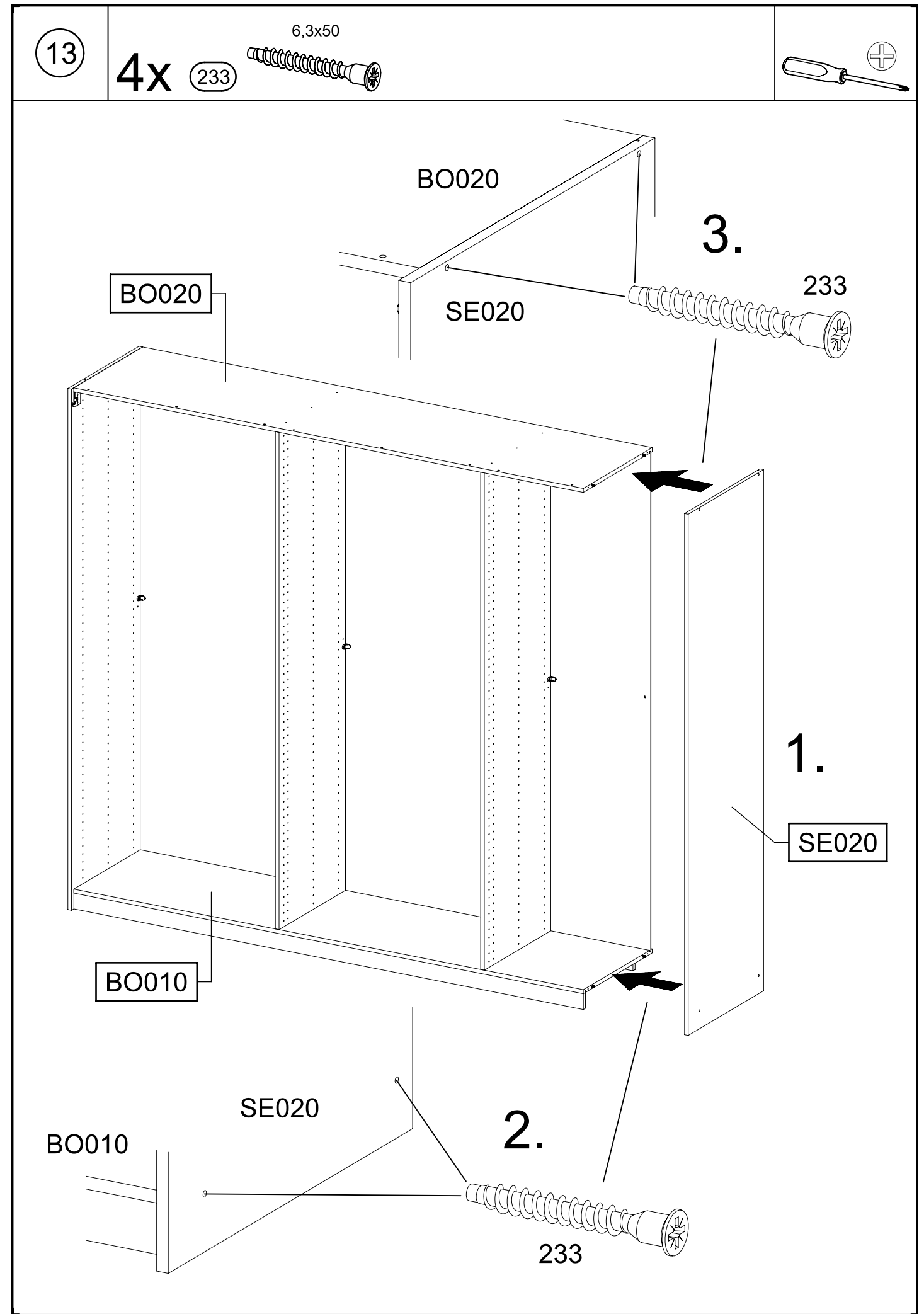
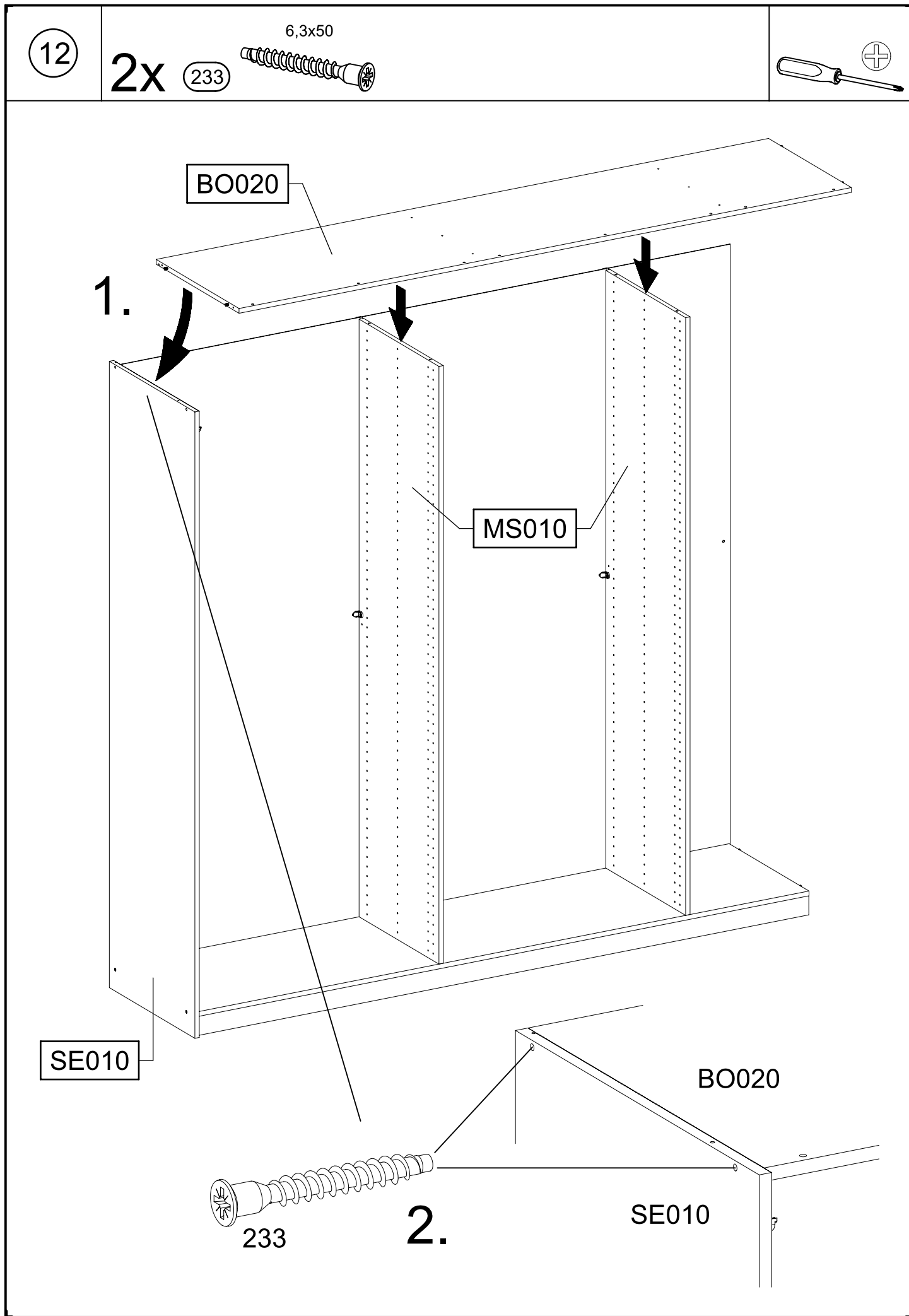
8x30



4x 807

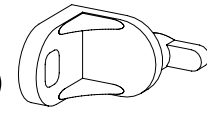
807





14

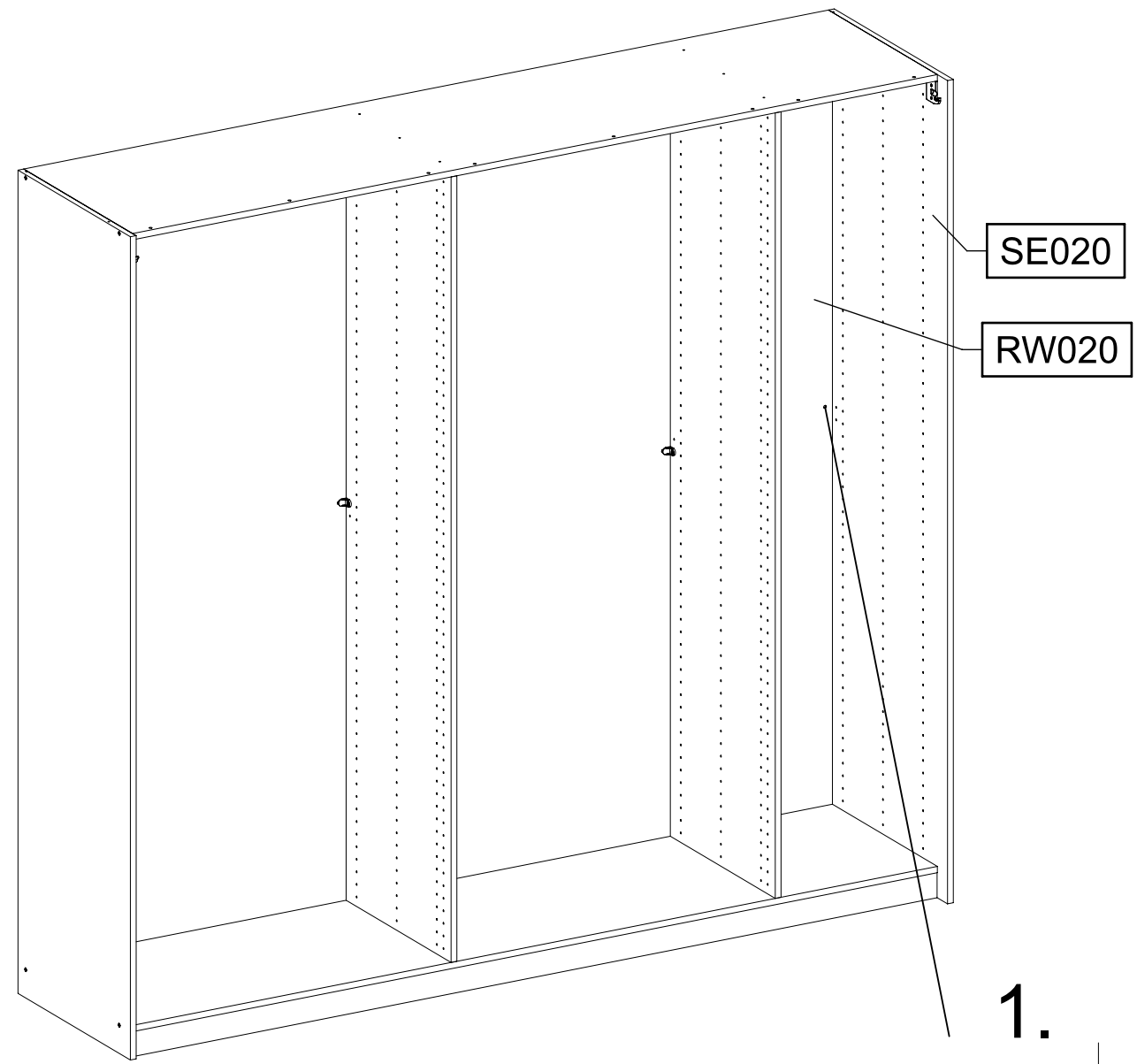
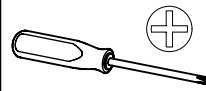
1x 1



1x

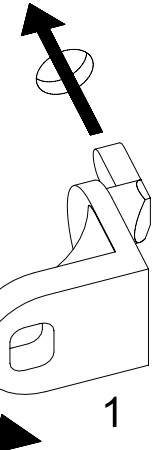
779

6,5x12



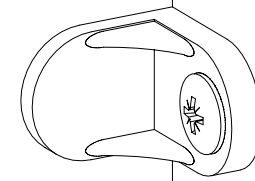
1.

RW020



1

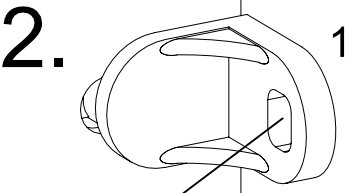
RW020



SE020

2.

RW020



1

SE020

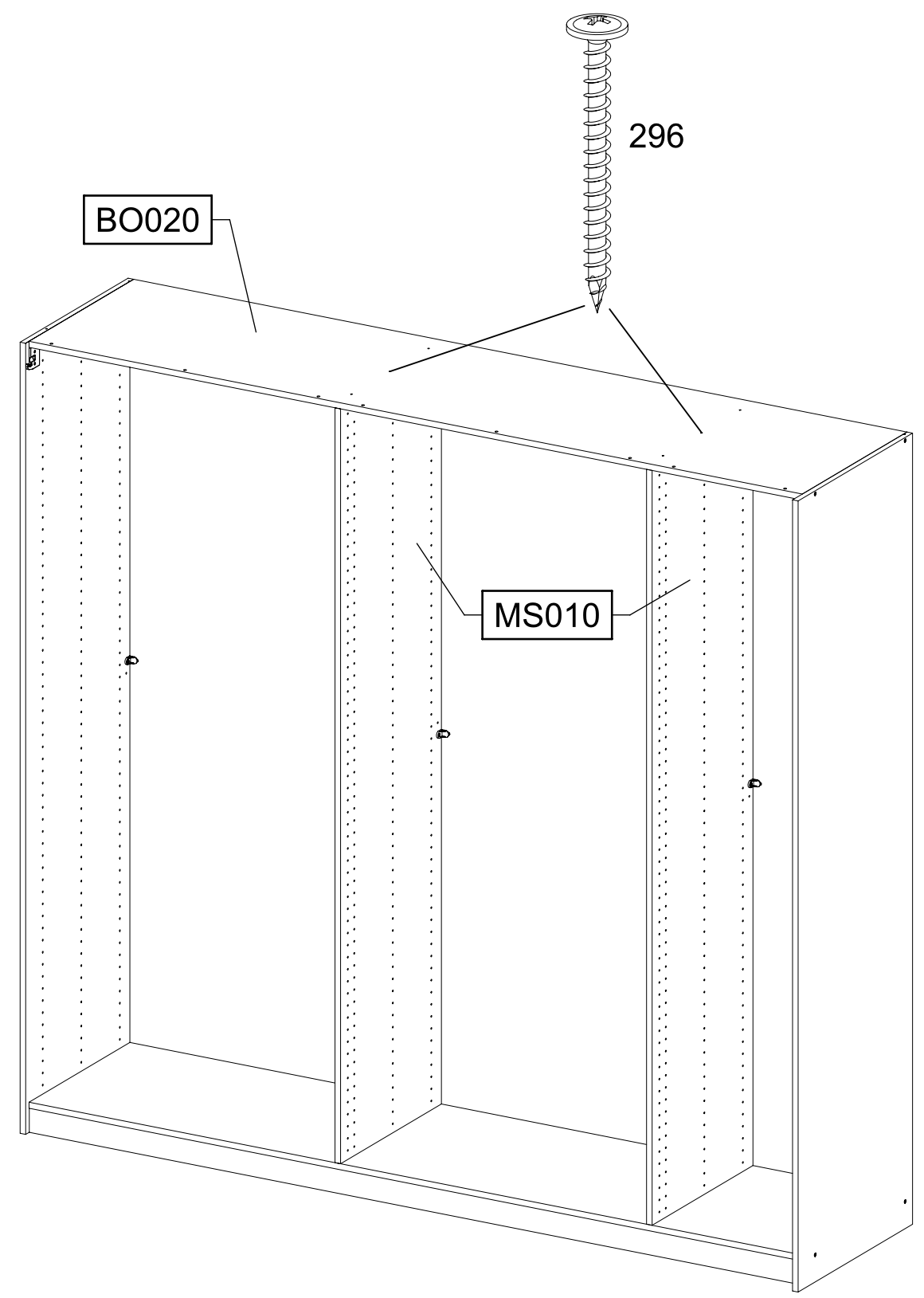
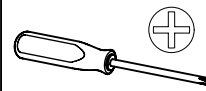
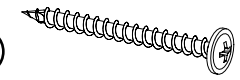
779

15

2x

296

4,5x50

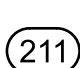



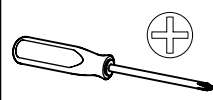
MS010

BO020

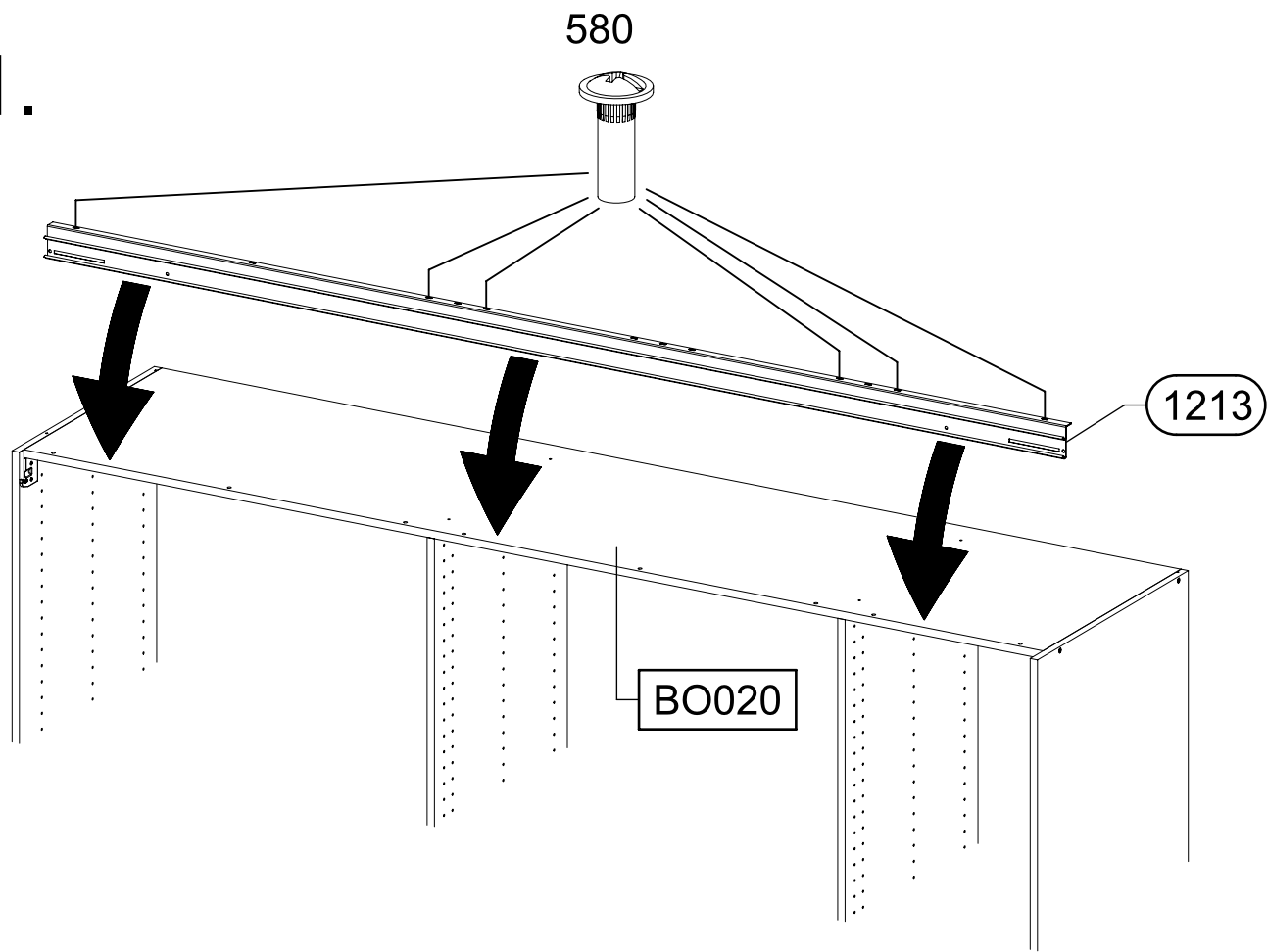
296

16

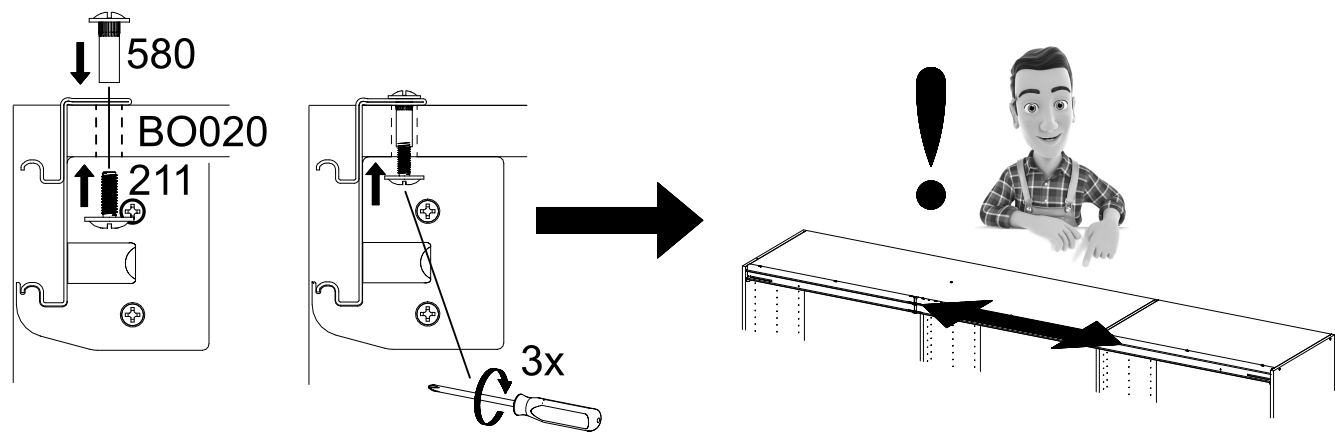
6x  M4x12 6x  M4



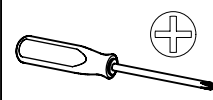
1.



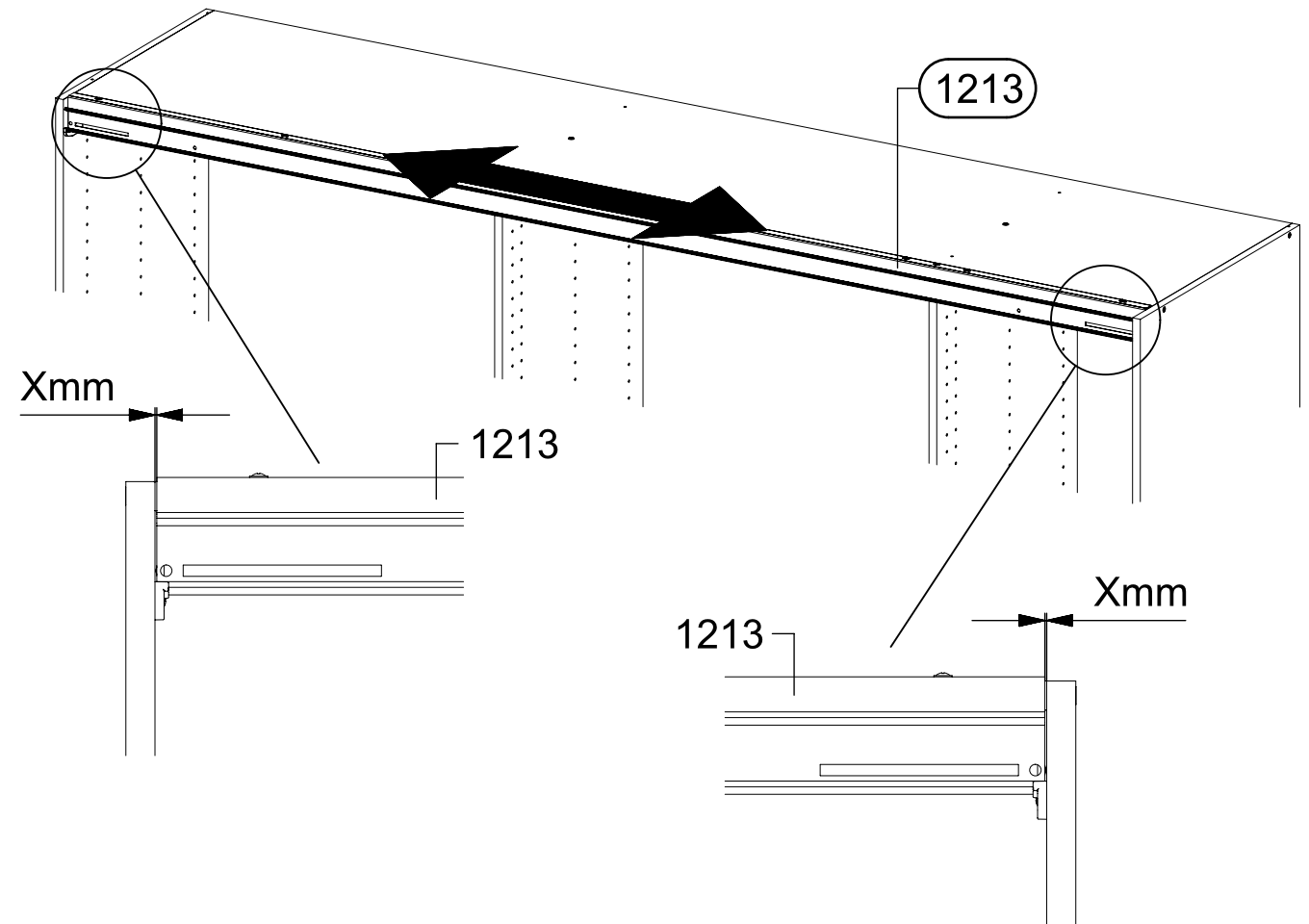
2.



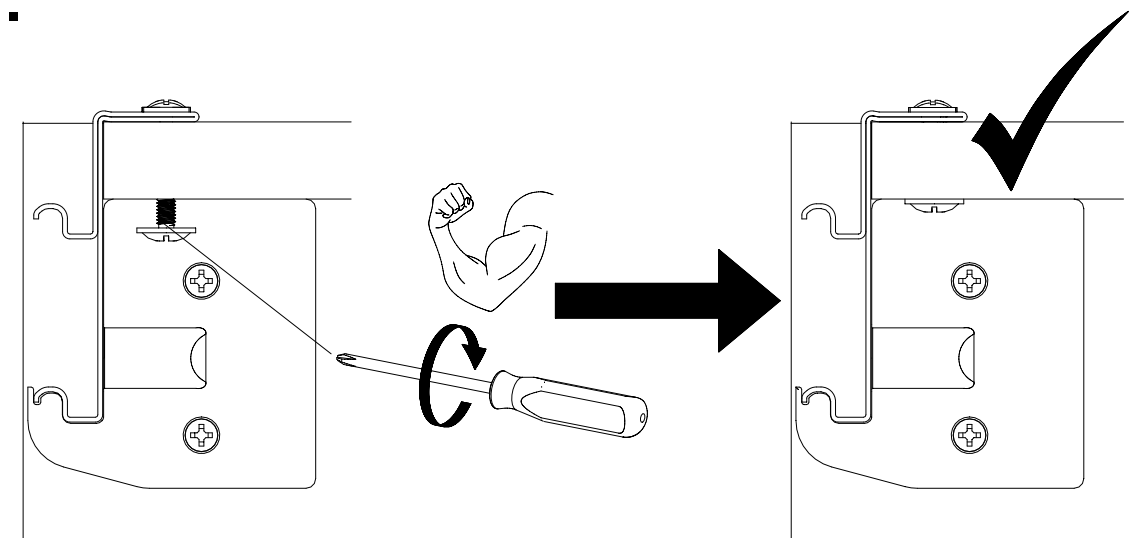
17



1.



2.

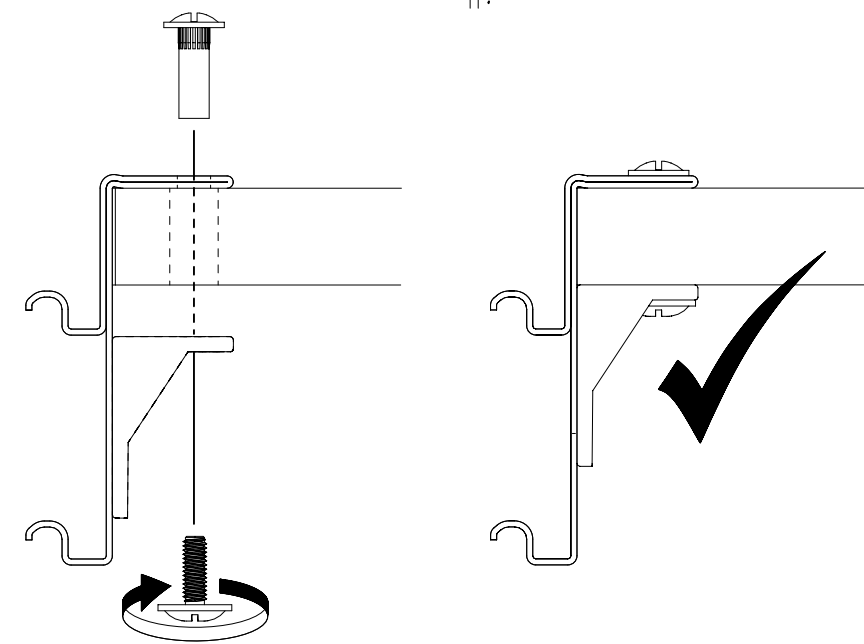
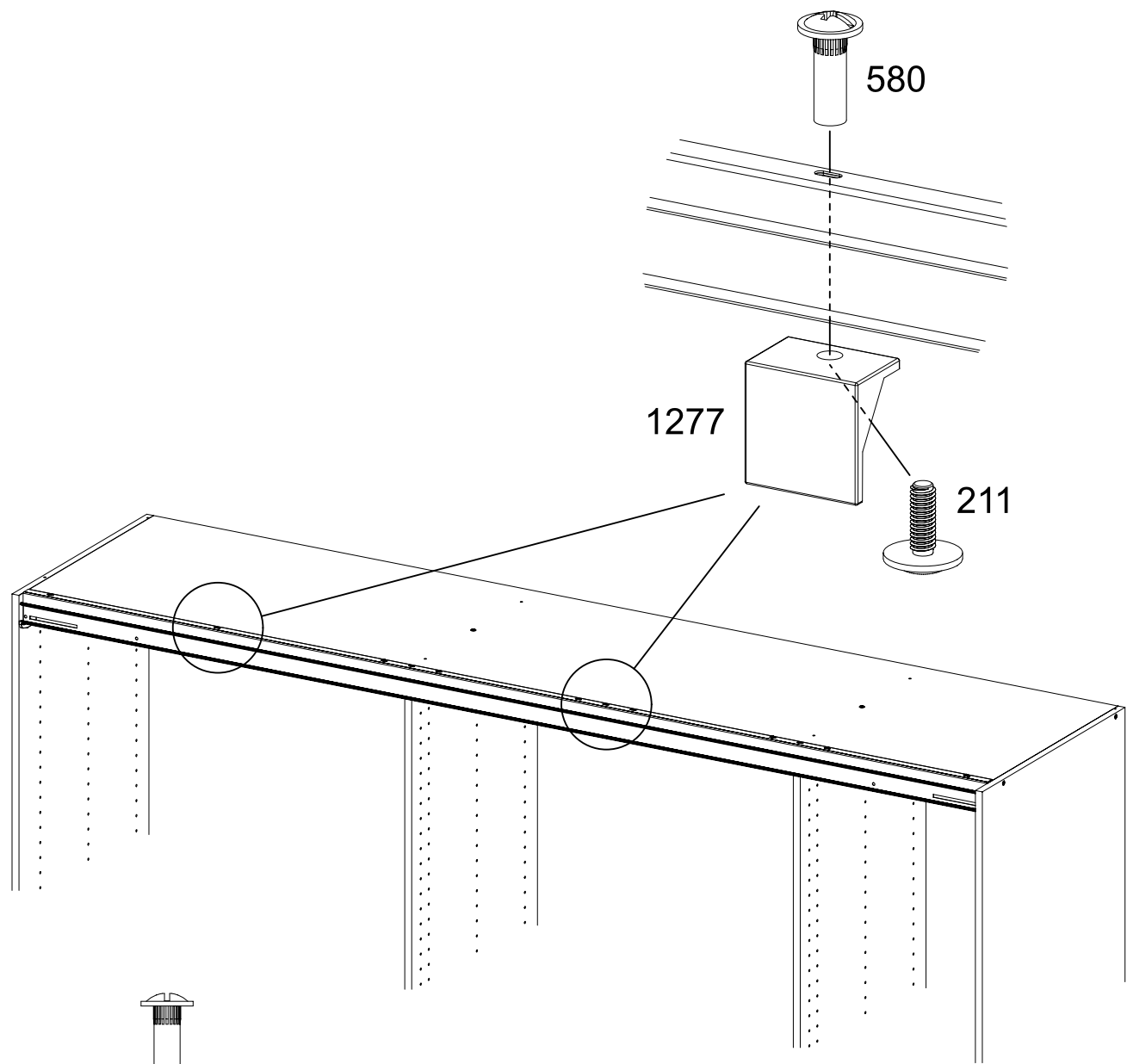
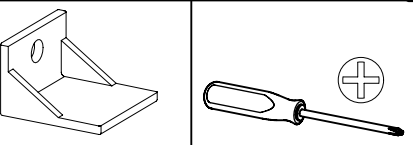


18

2x (211) M4x12

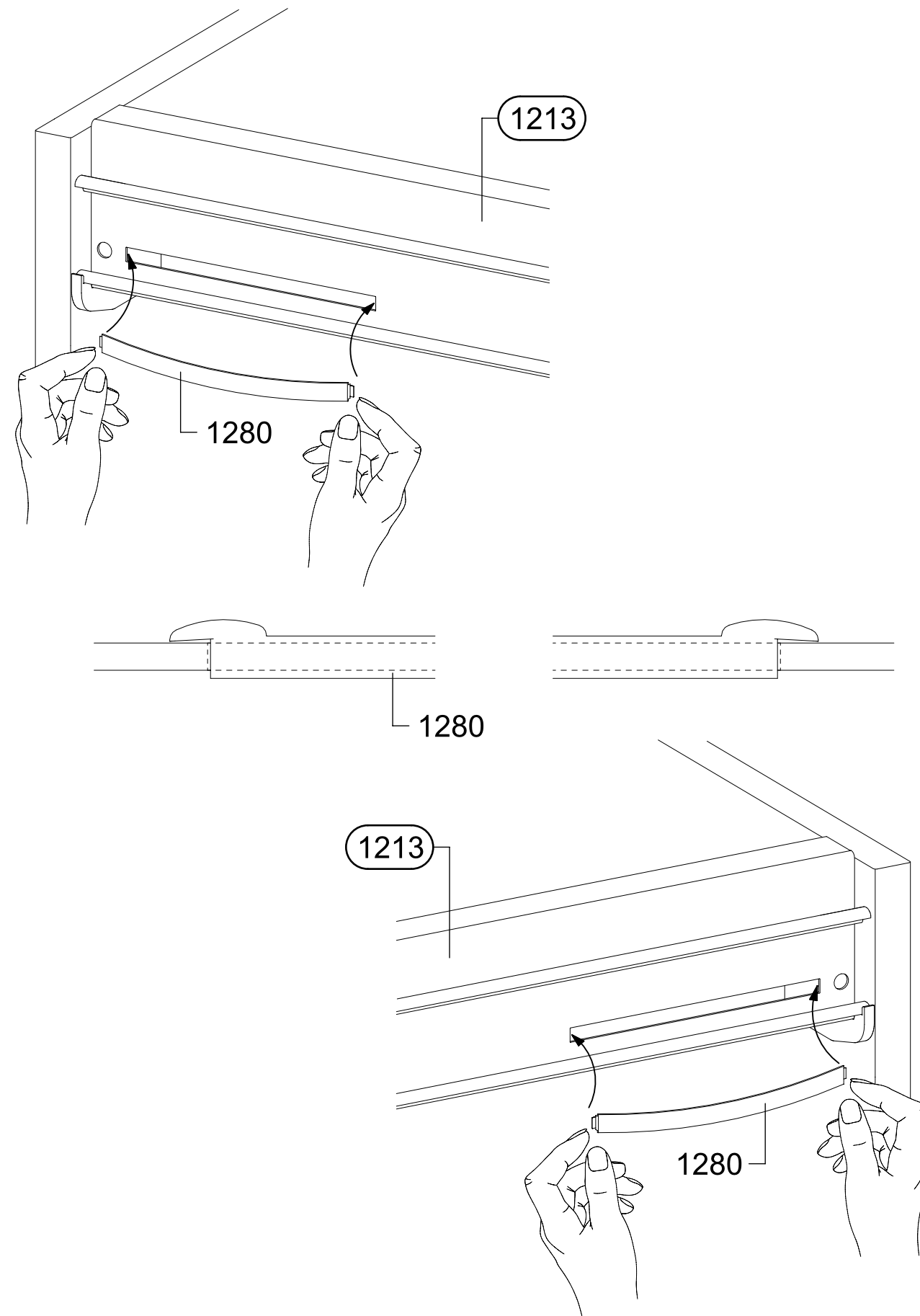
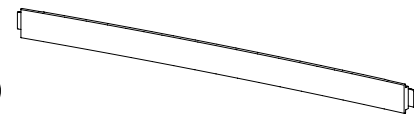
2x (580) M4

2x (1277)



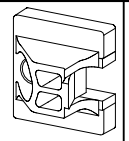
19

2x (1280)

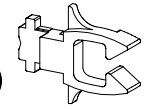


20

2x 1167



2x 1168

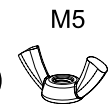


2x 1279

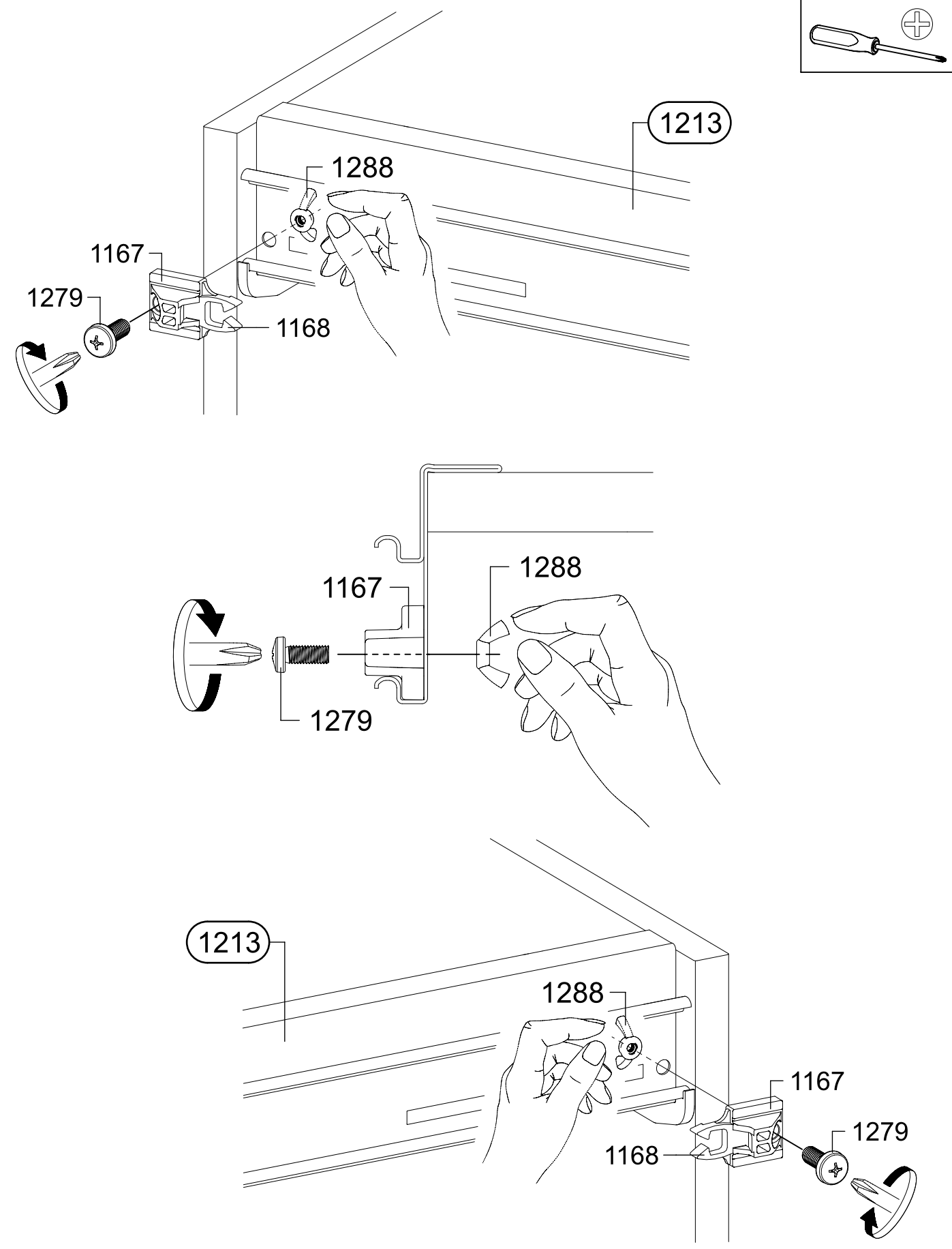
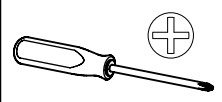
M5x12



2x 1288



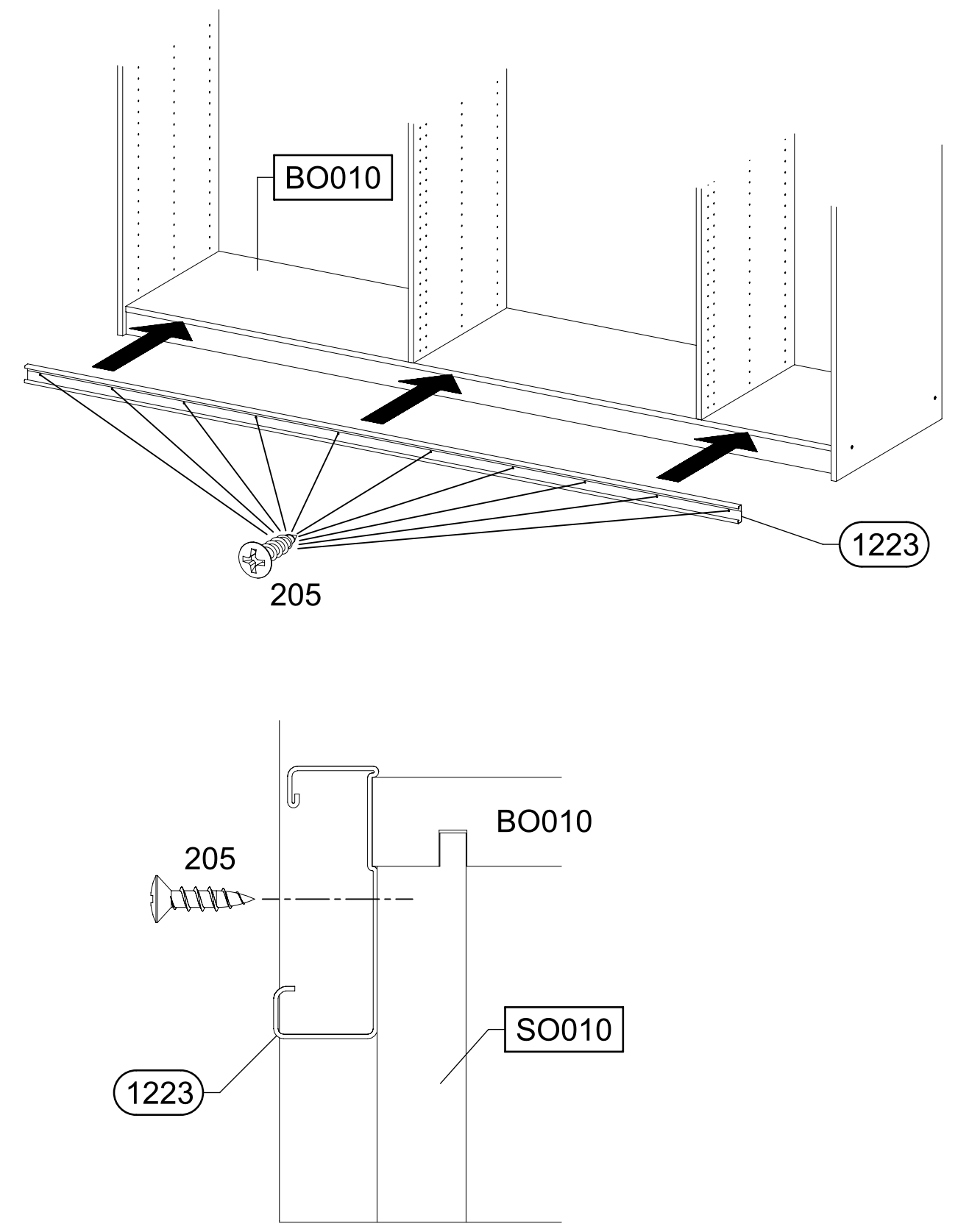
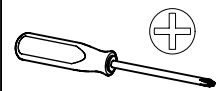
M5



21

10x 205

3,5x15

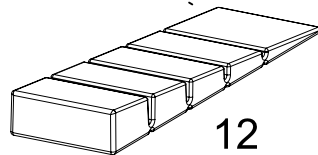
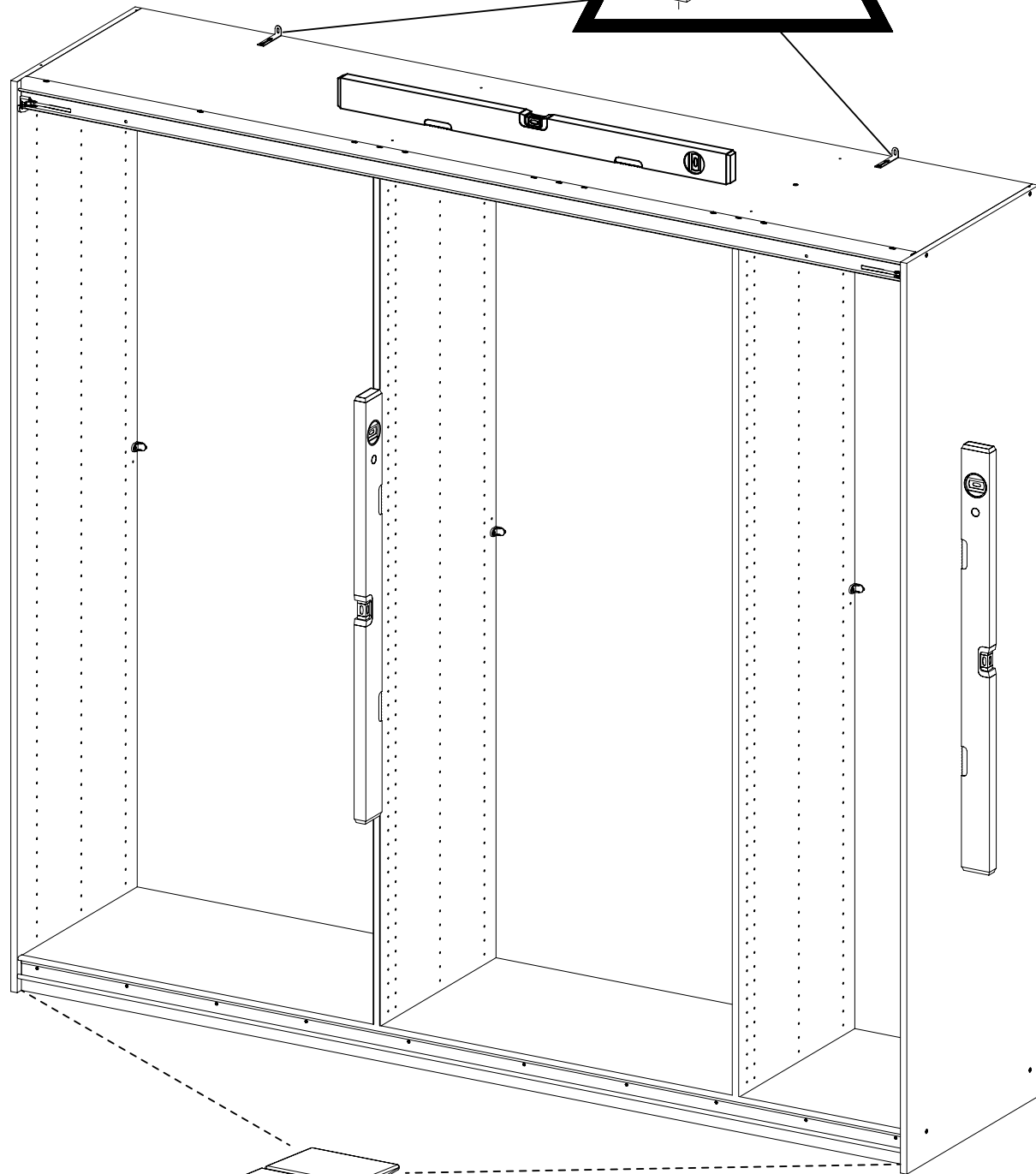
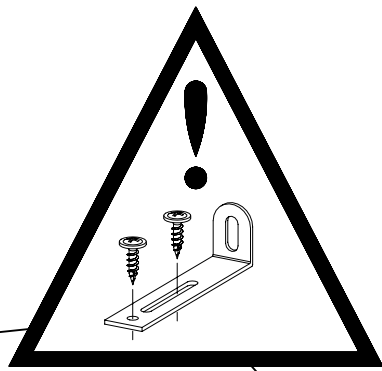
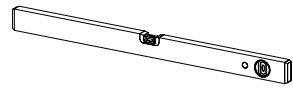
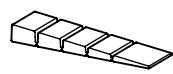


22

2x

12

55x16x6,2

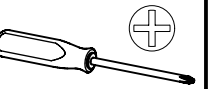
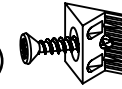


12

23

12x

45



SE010

MS010

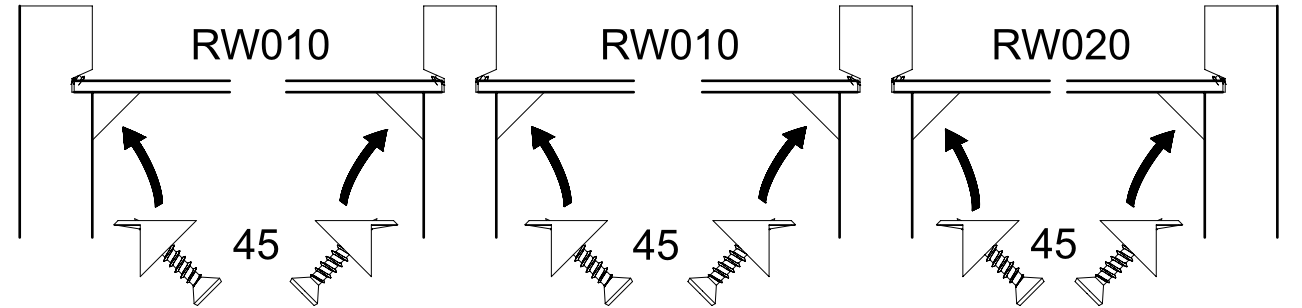
MS010

SE020

RW010

RW010

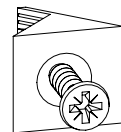
RW020



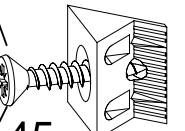
SE010

MS010

SE020



45

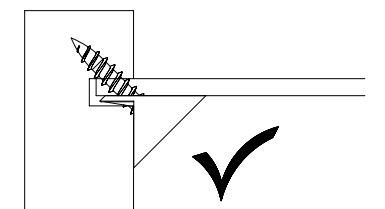
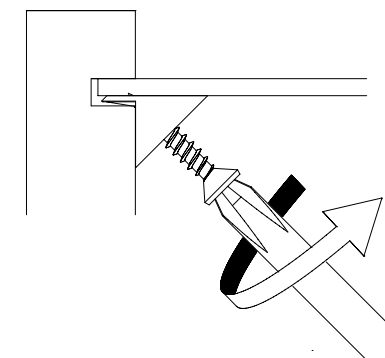
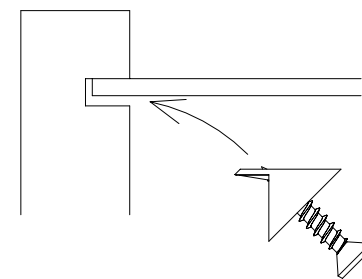


45

1.

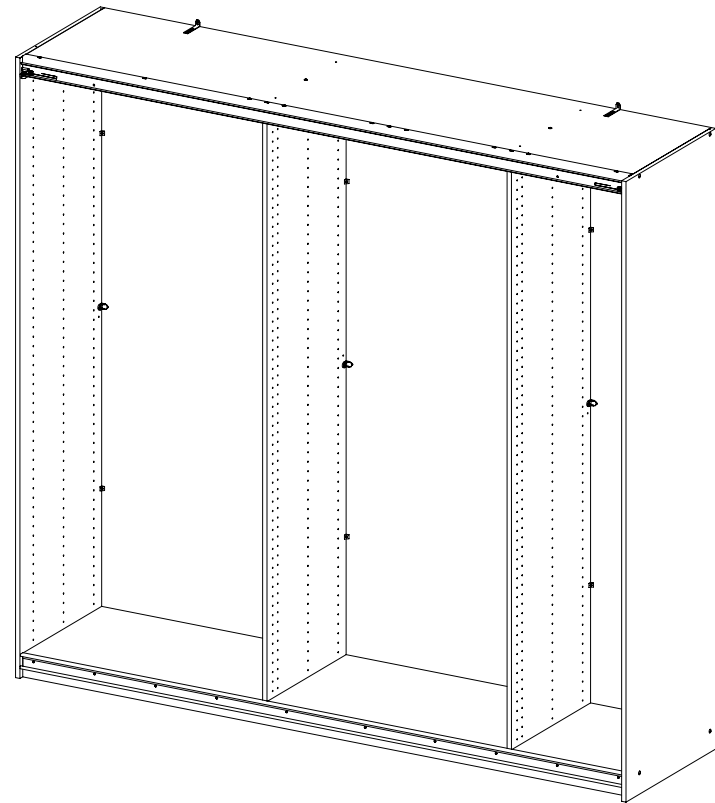
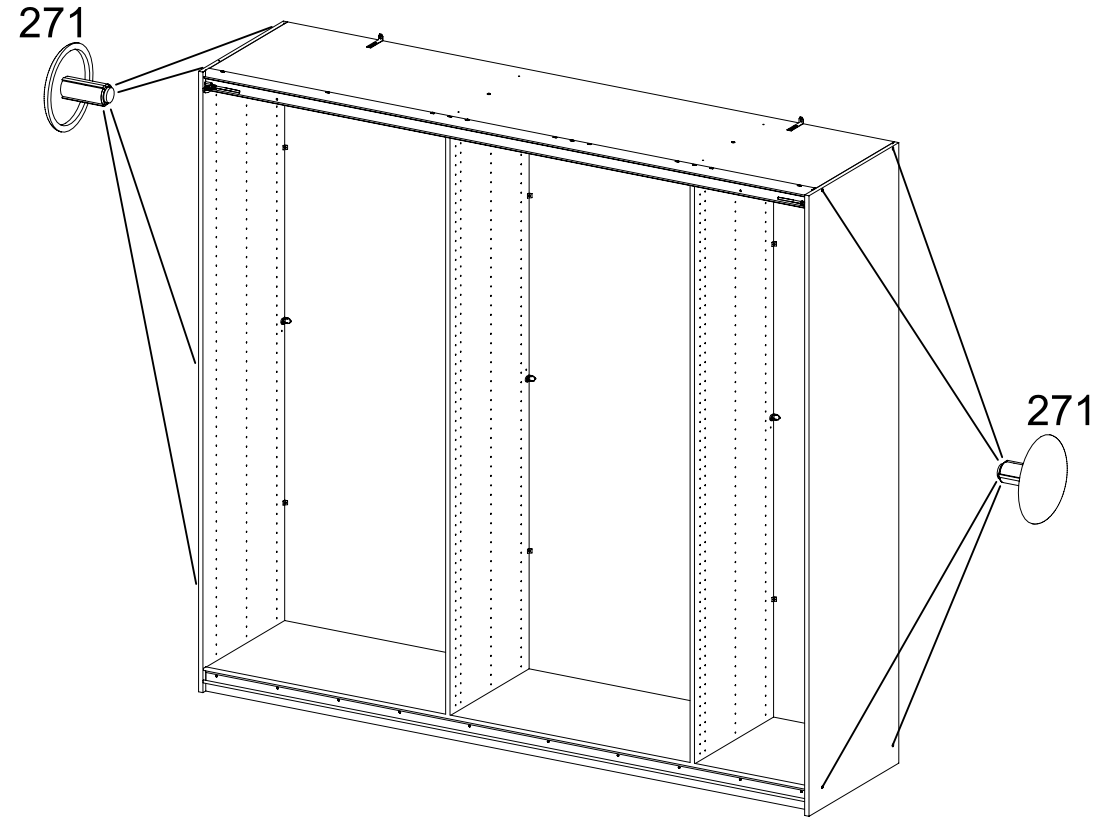
2.

3.

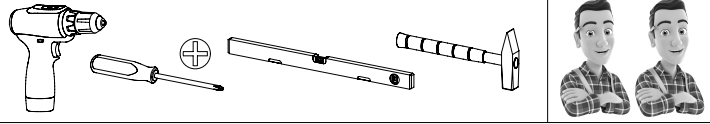


24

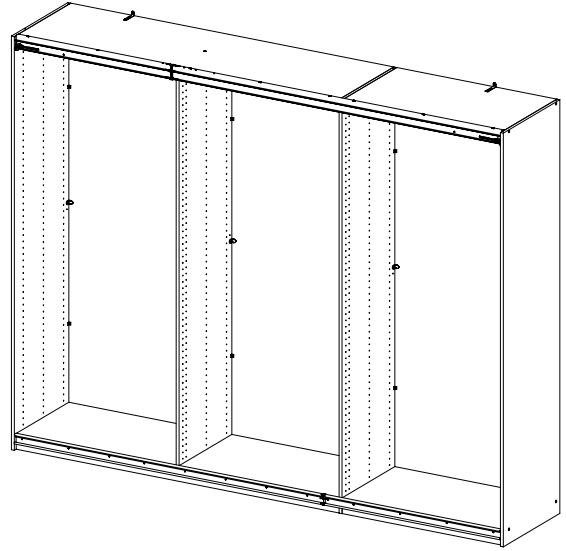
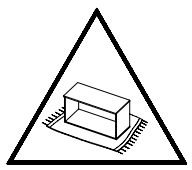
8x 271 



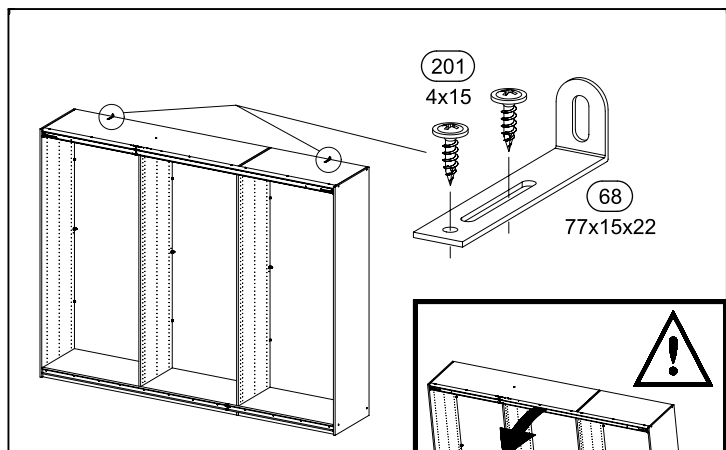
M2583_04



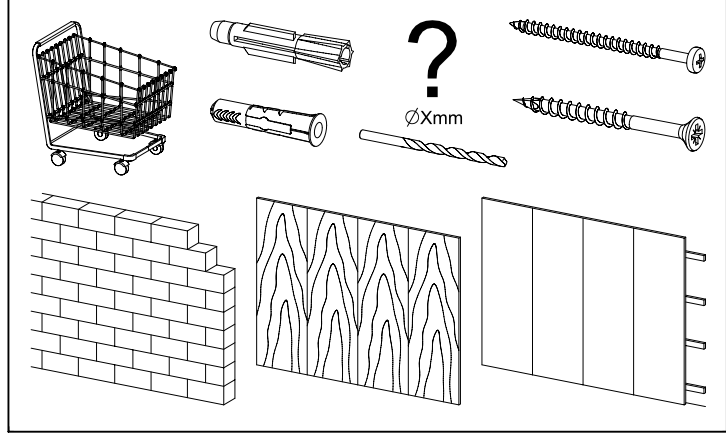
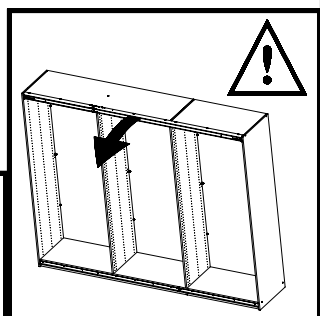
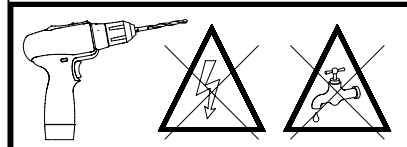
2-3h



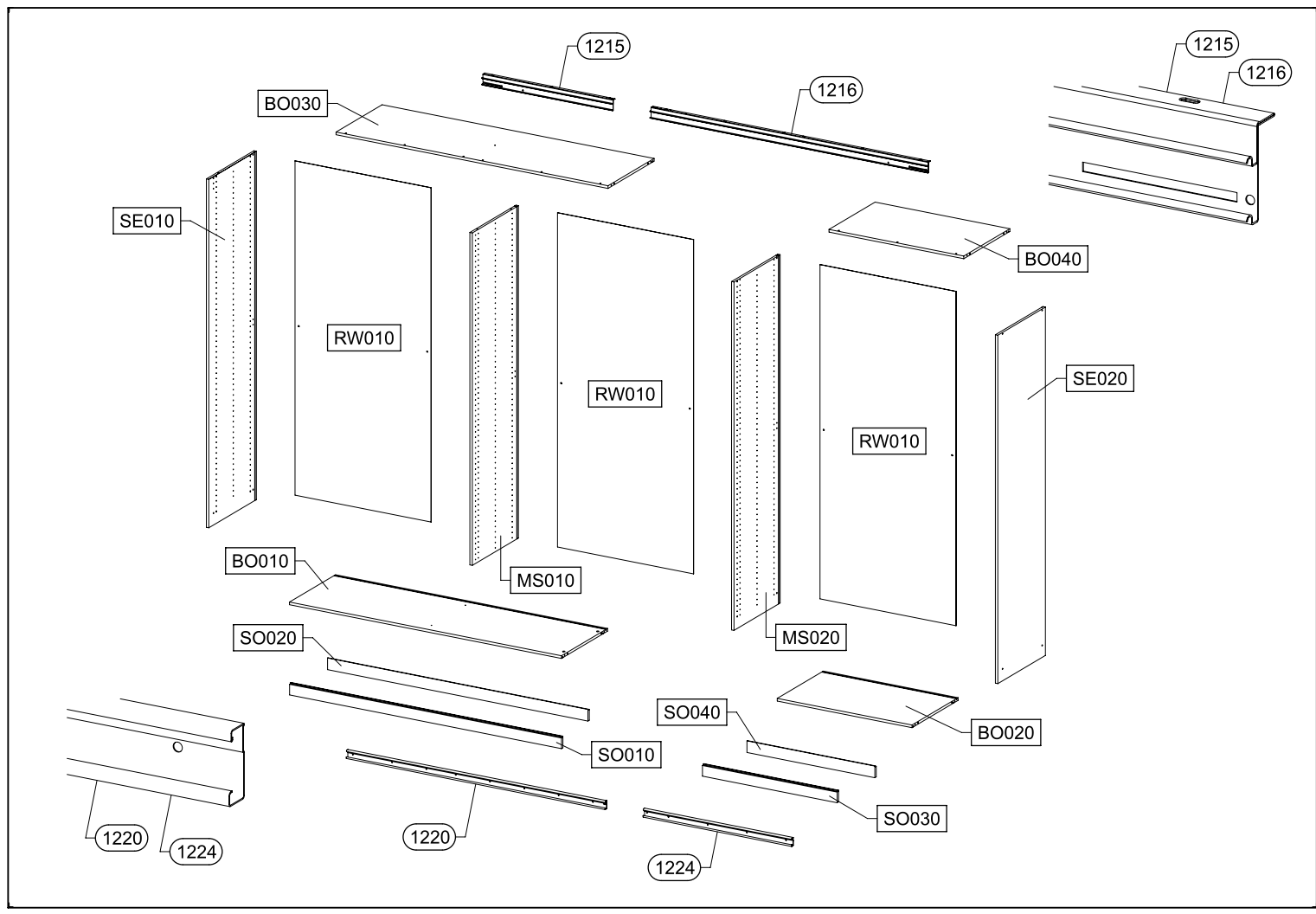
M2583



(201)
4x15
68
77x15x22

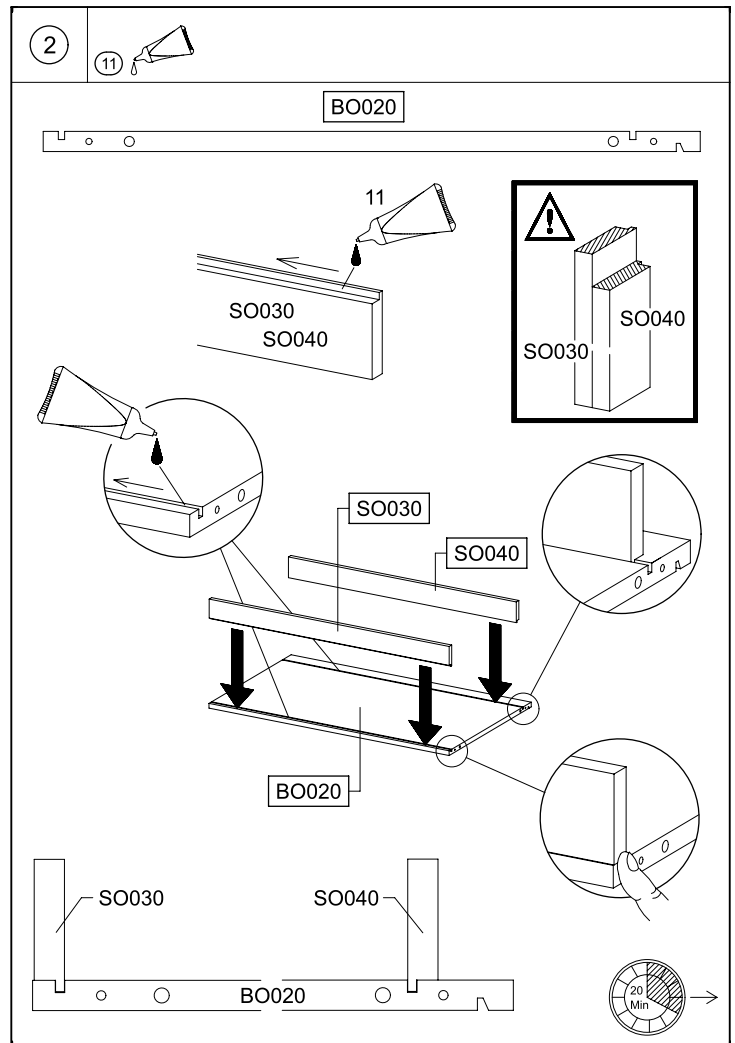
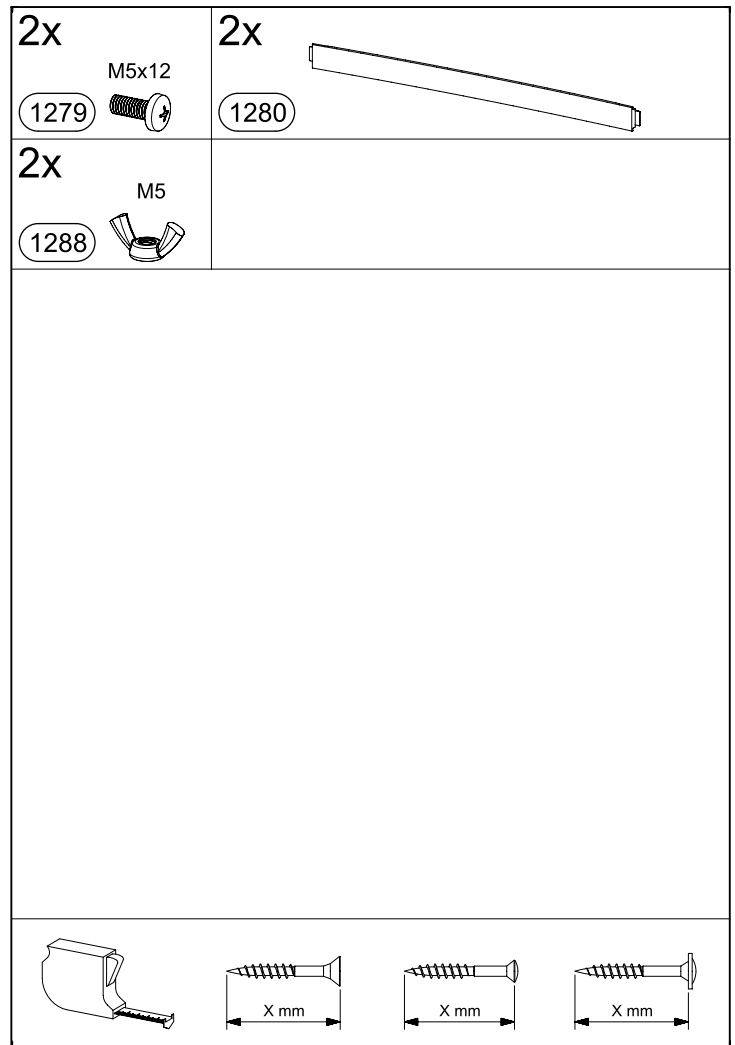
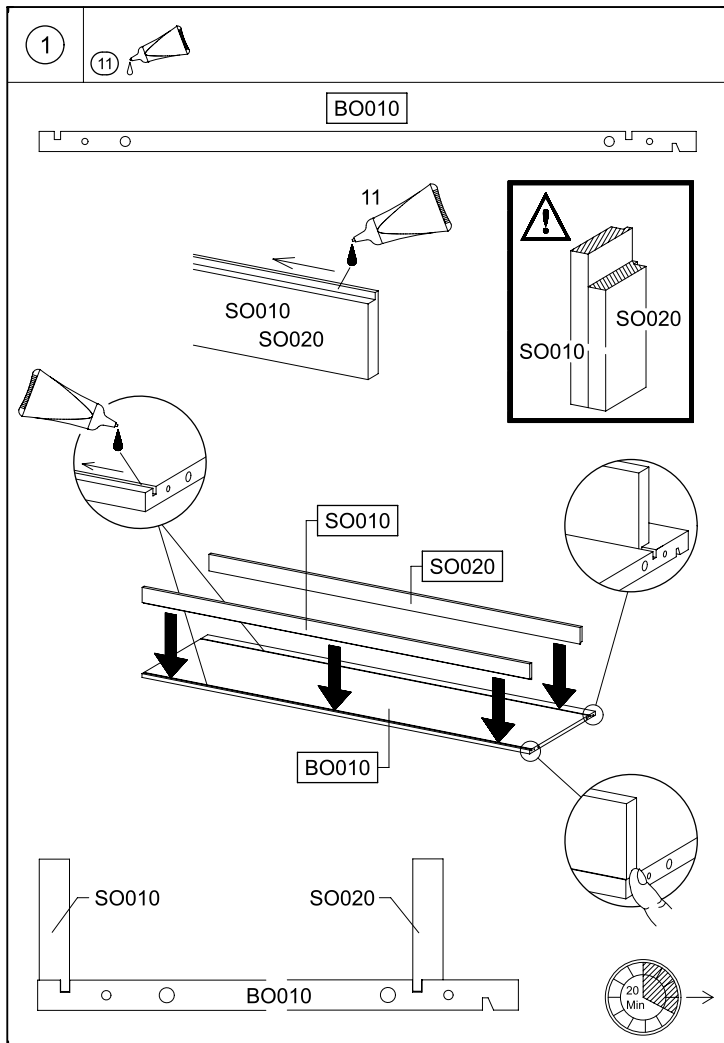
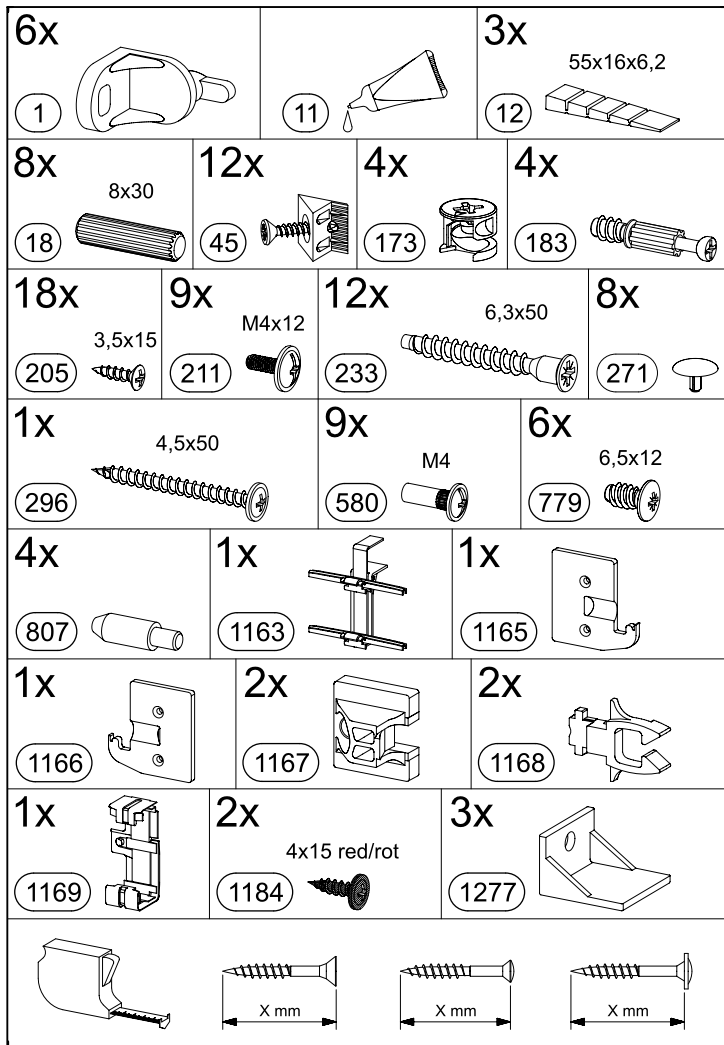


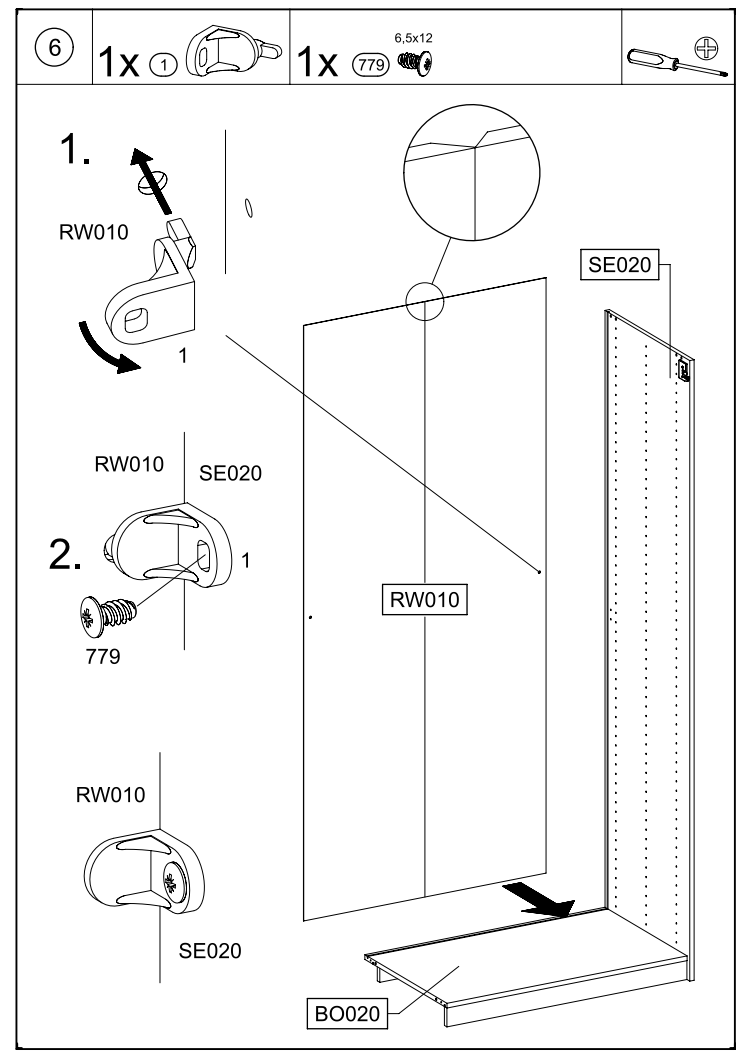
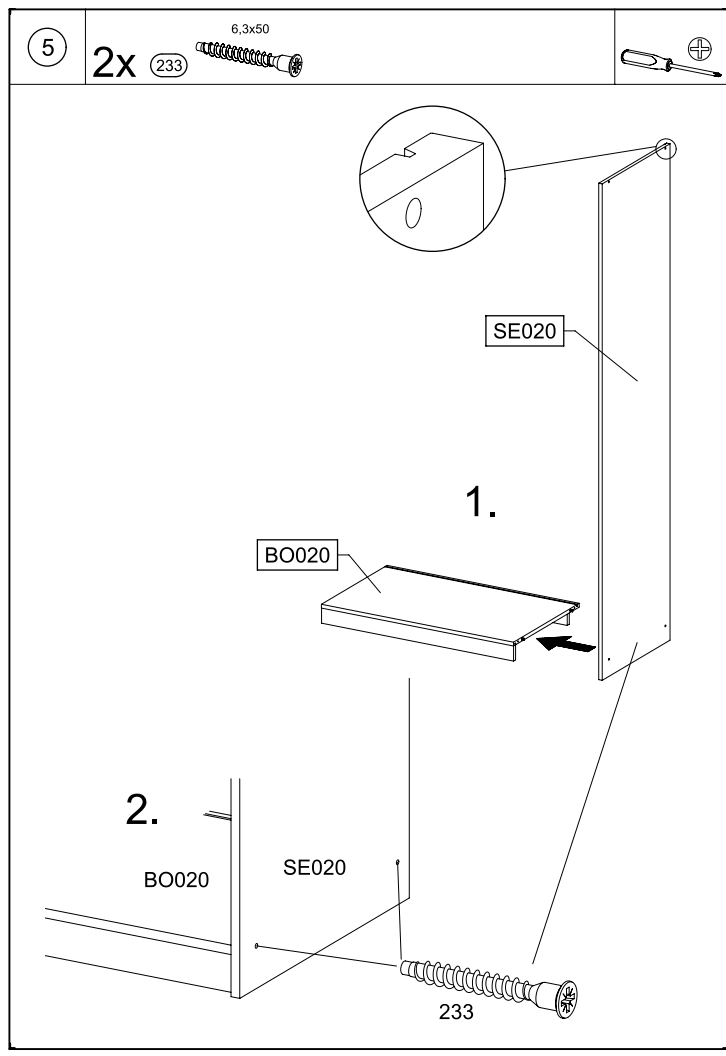
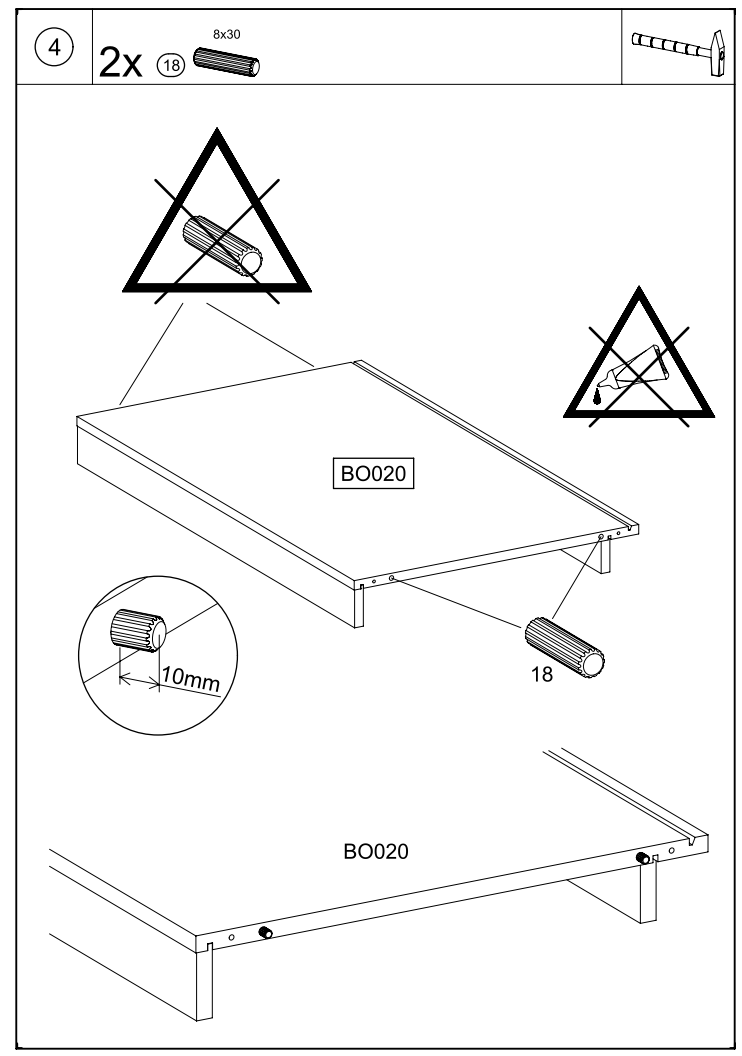
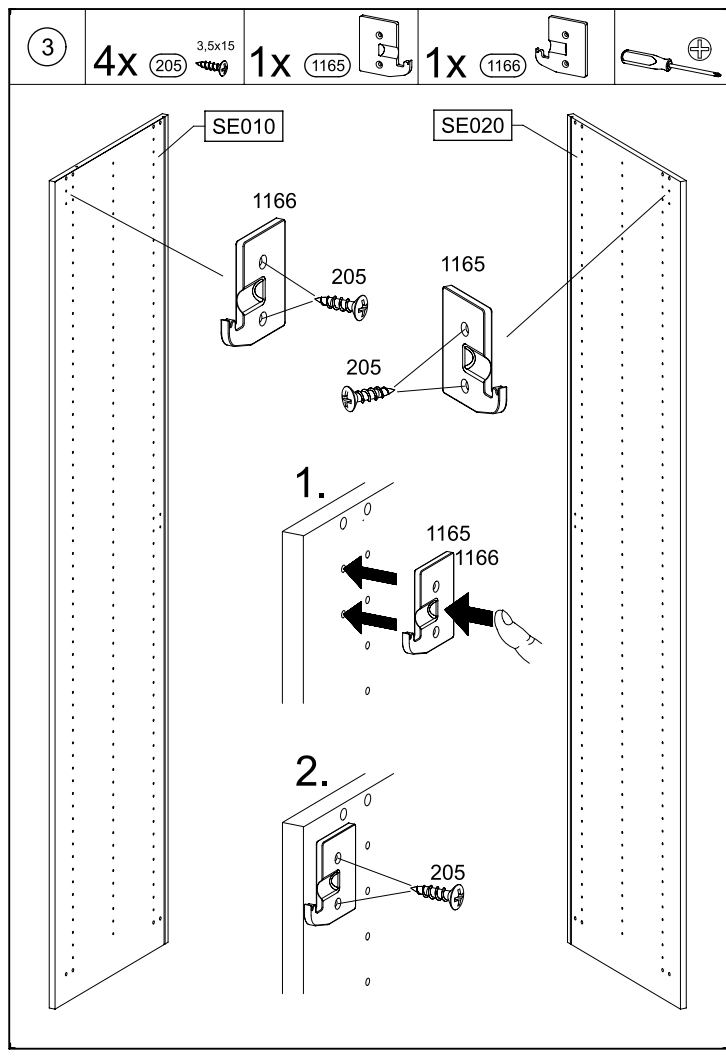
M2583

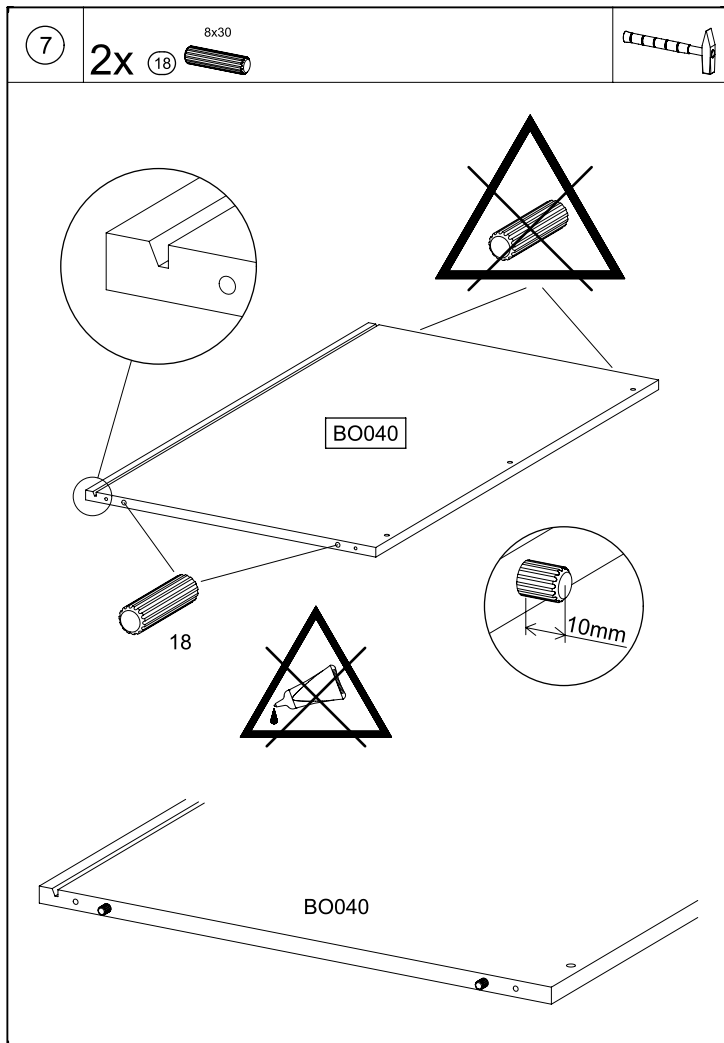


M2583

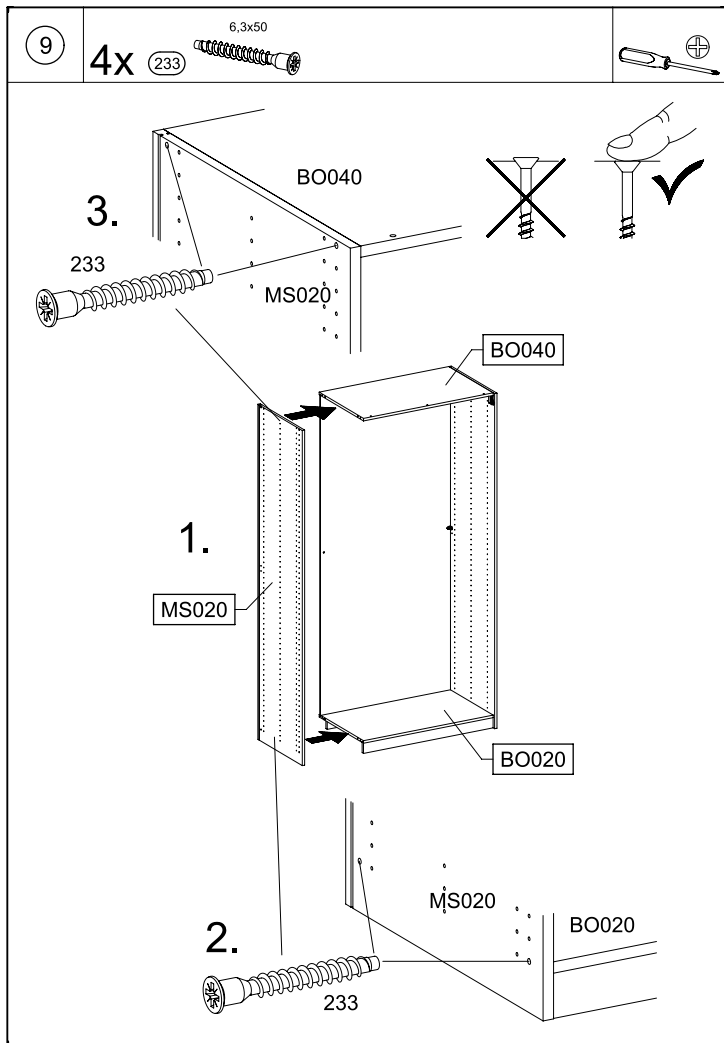
M2583



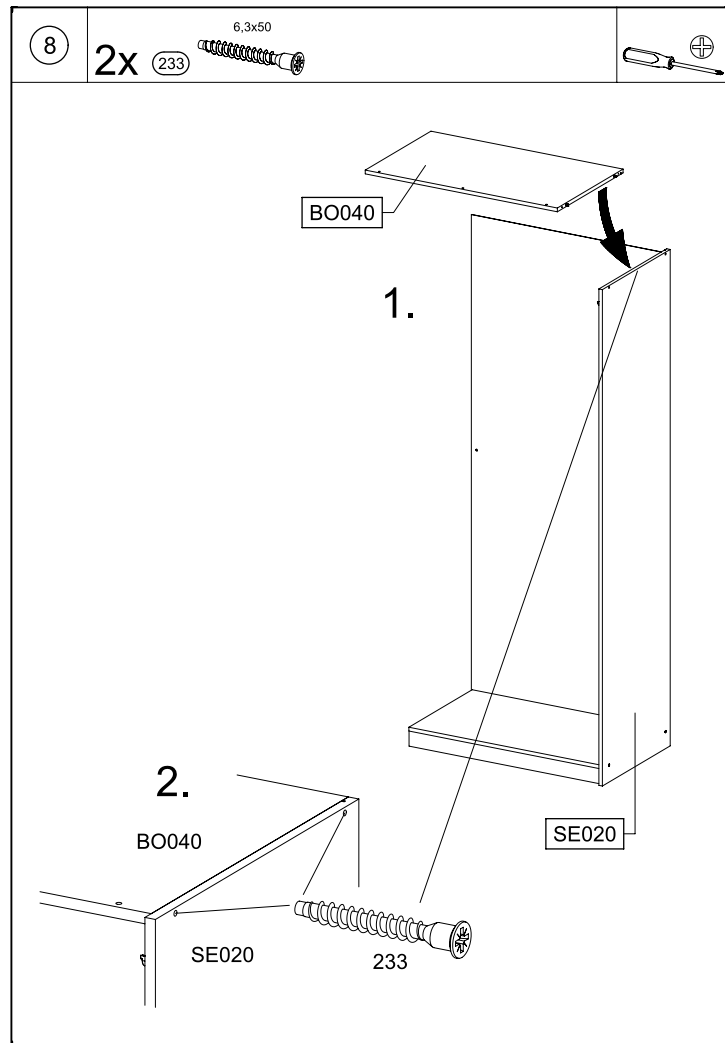




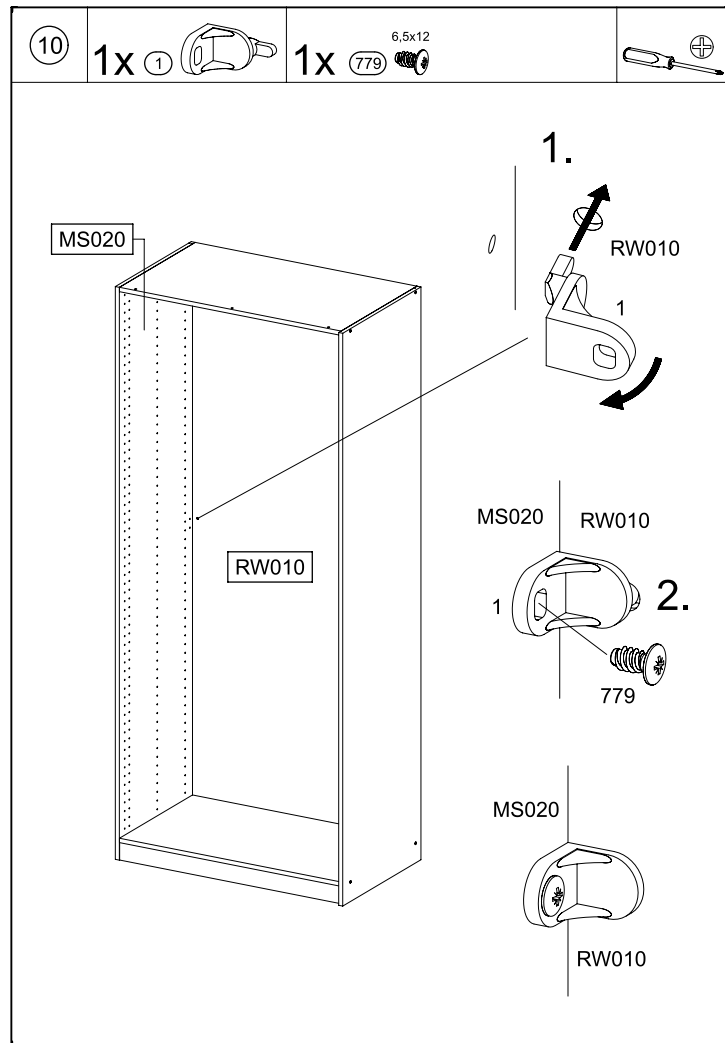
M2583



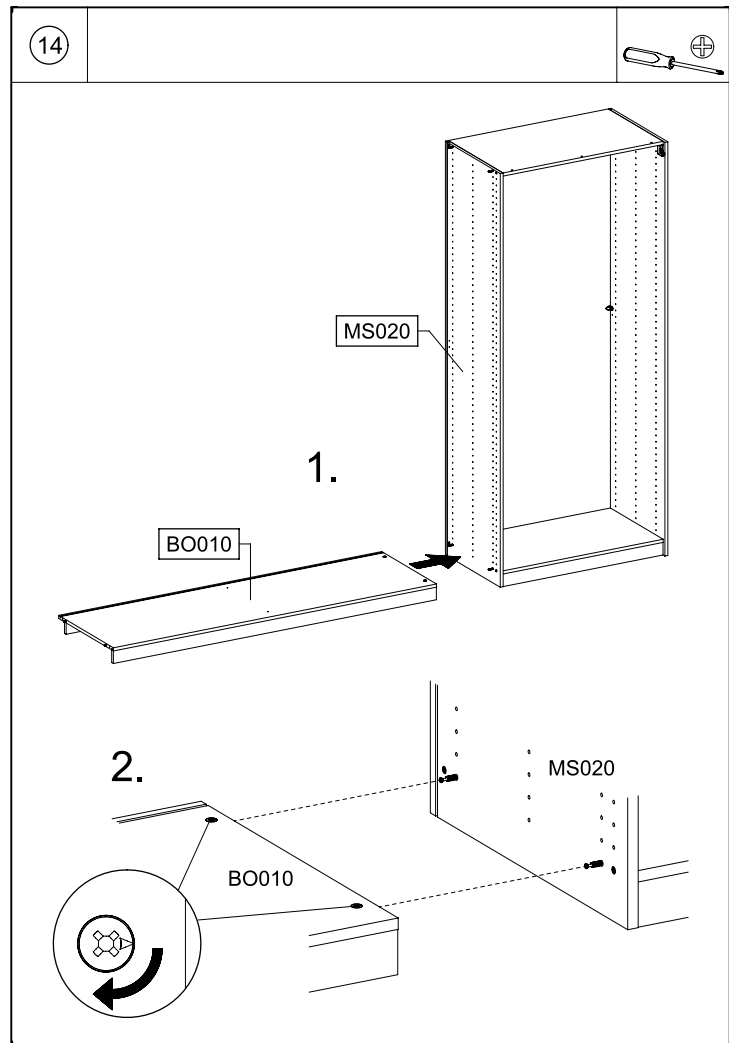
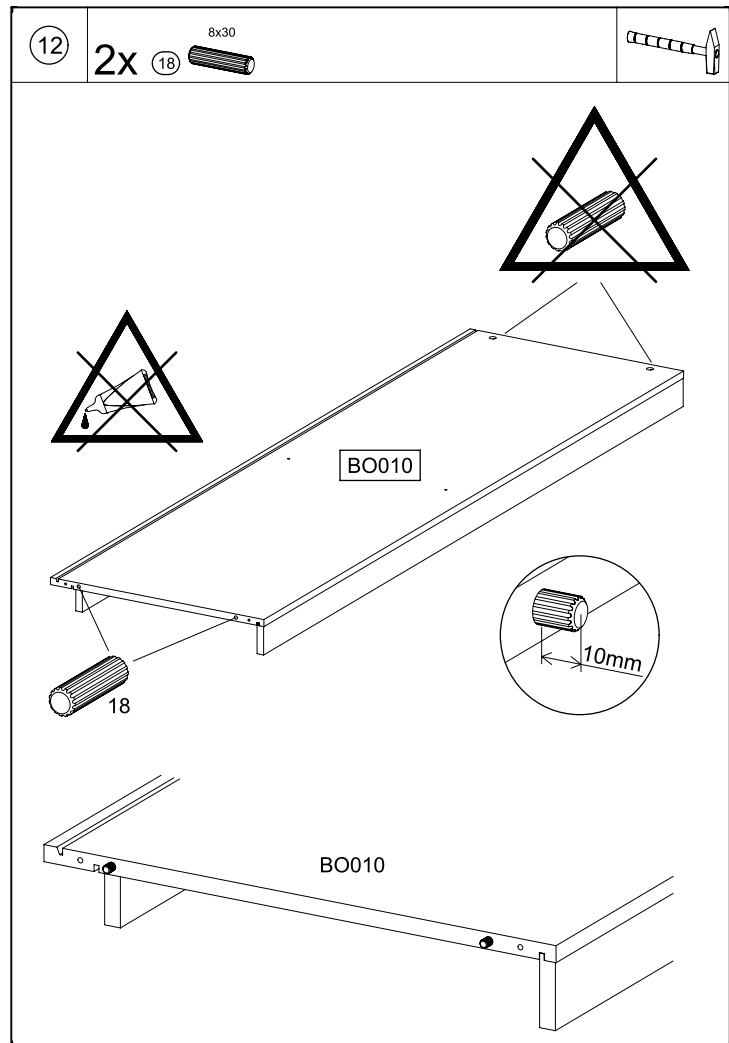
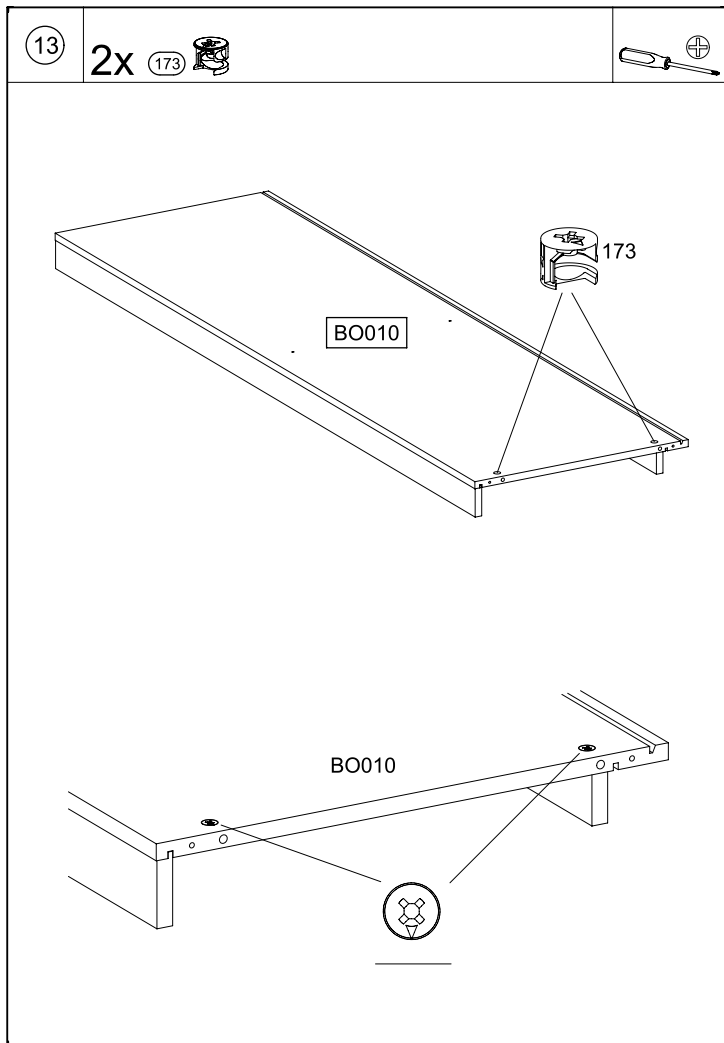
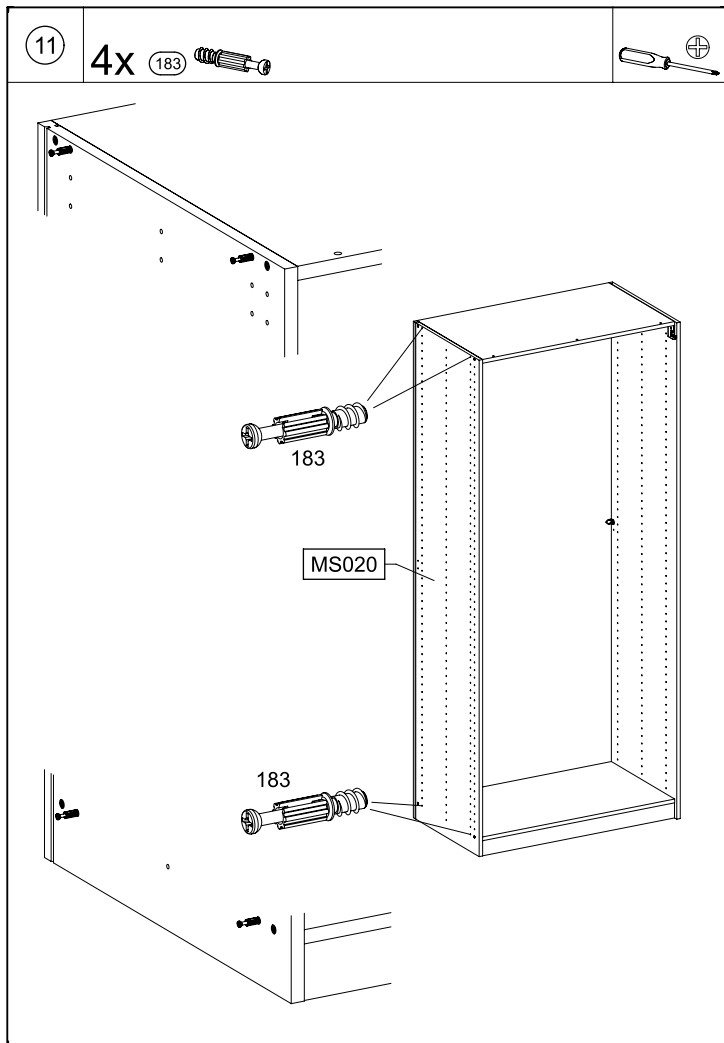
M2583

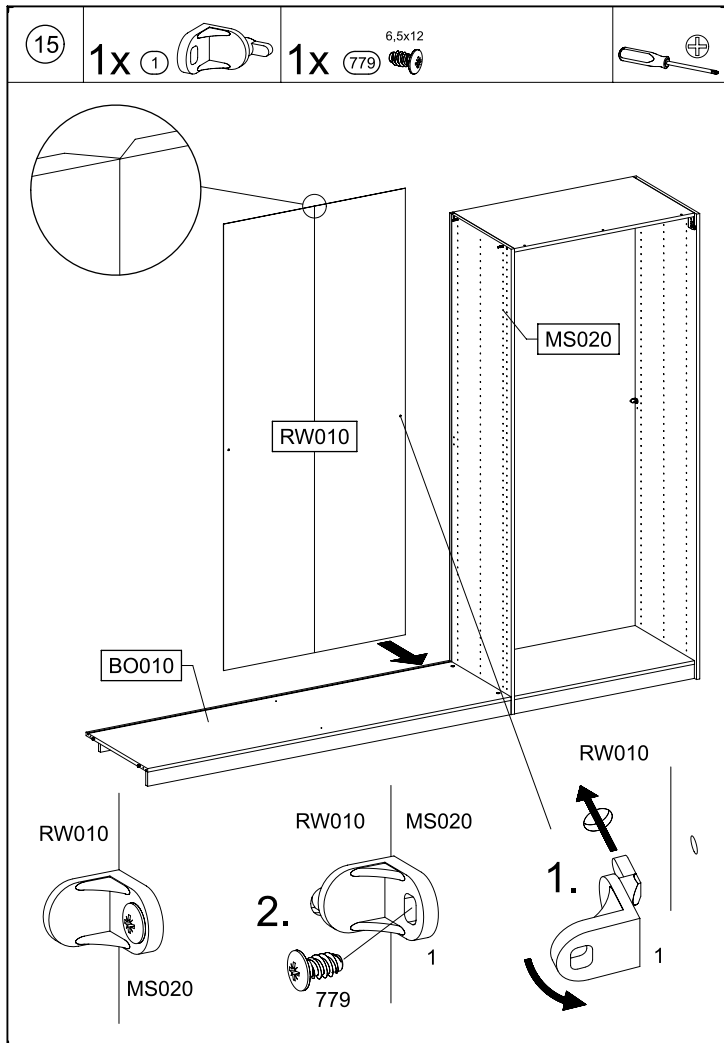


M2583

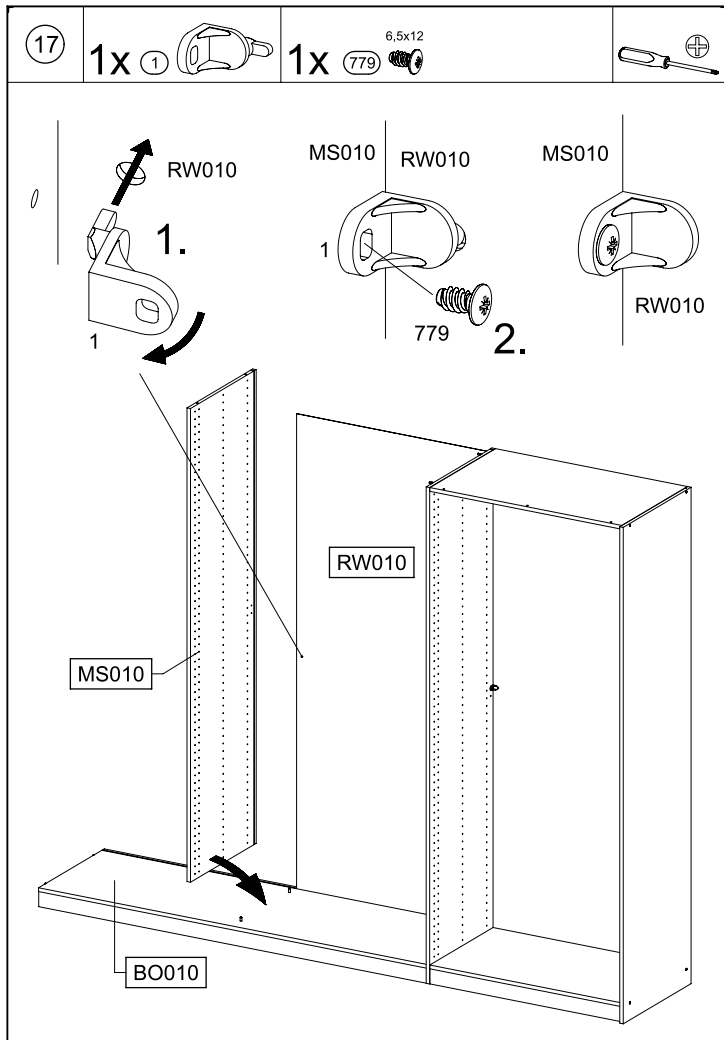


M2583

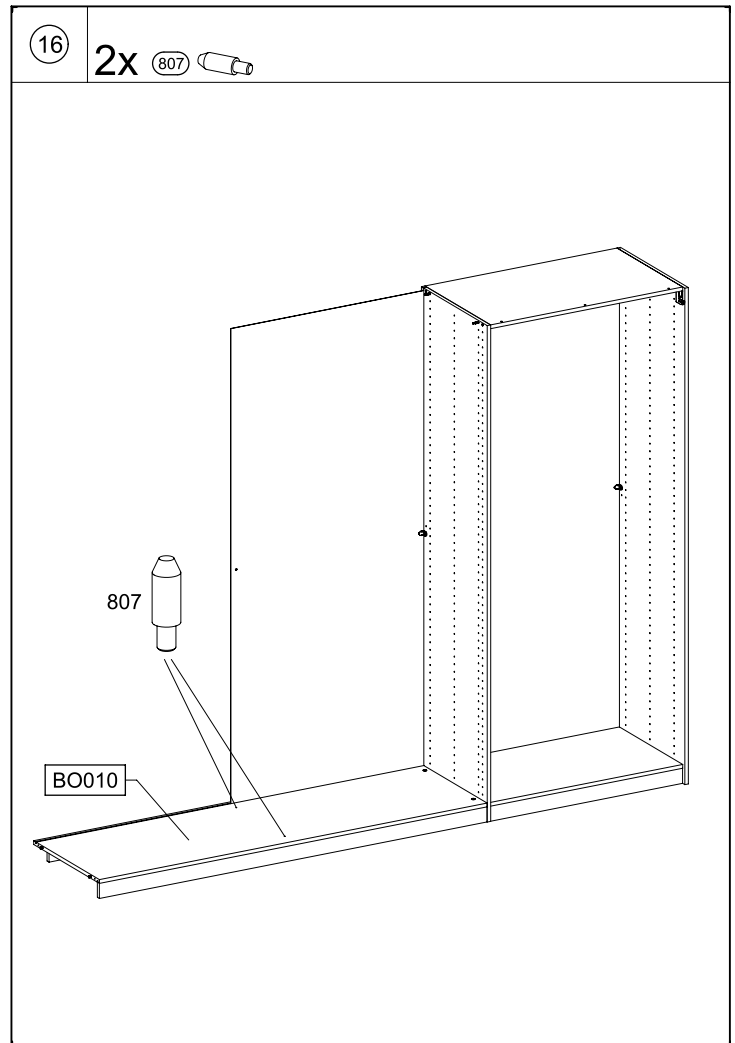




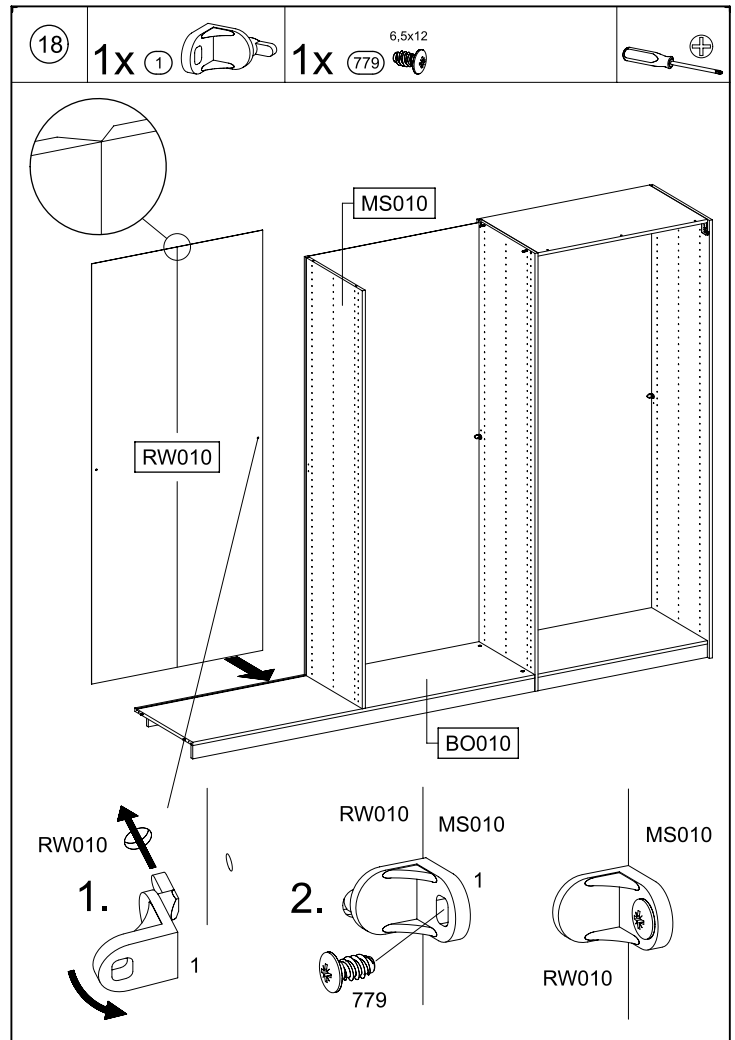
M2583



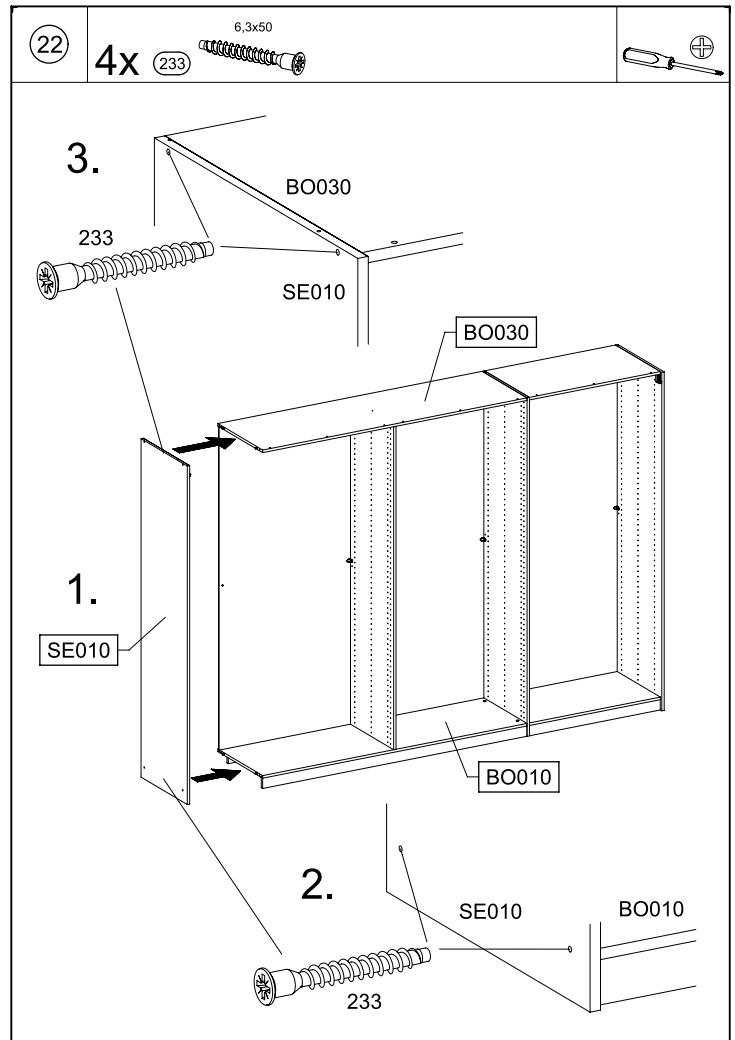
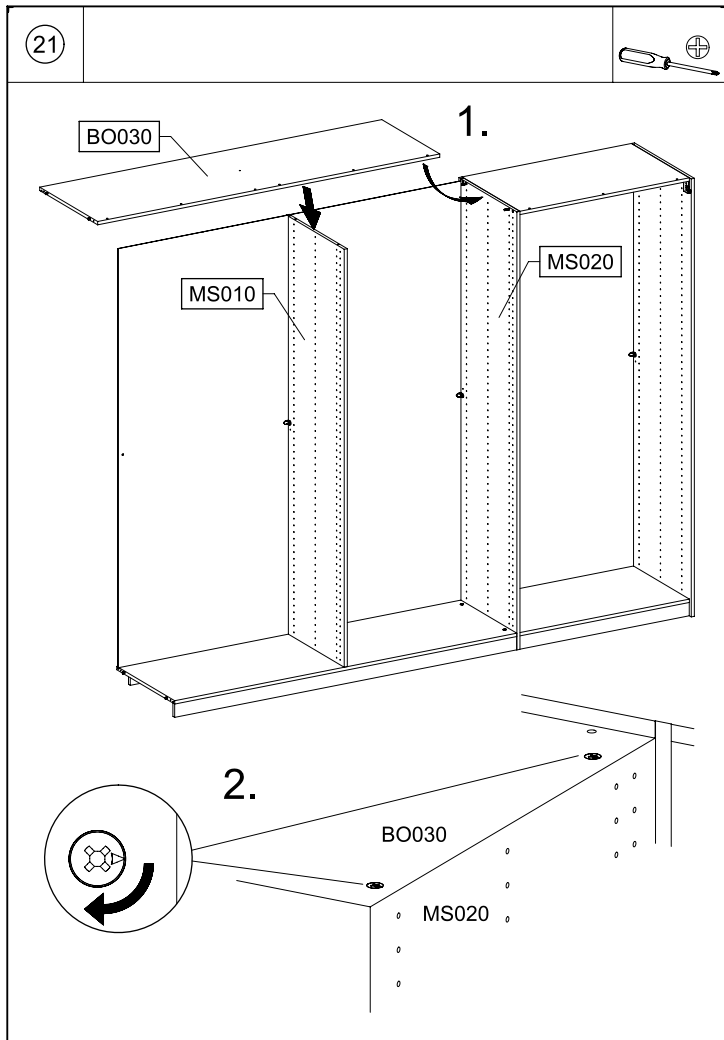
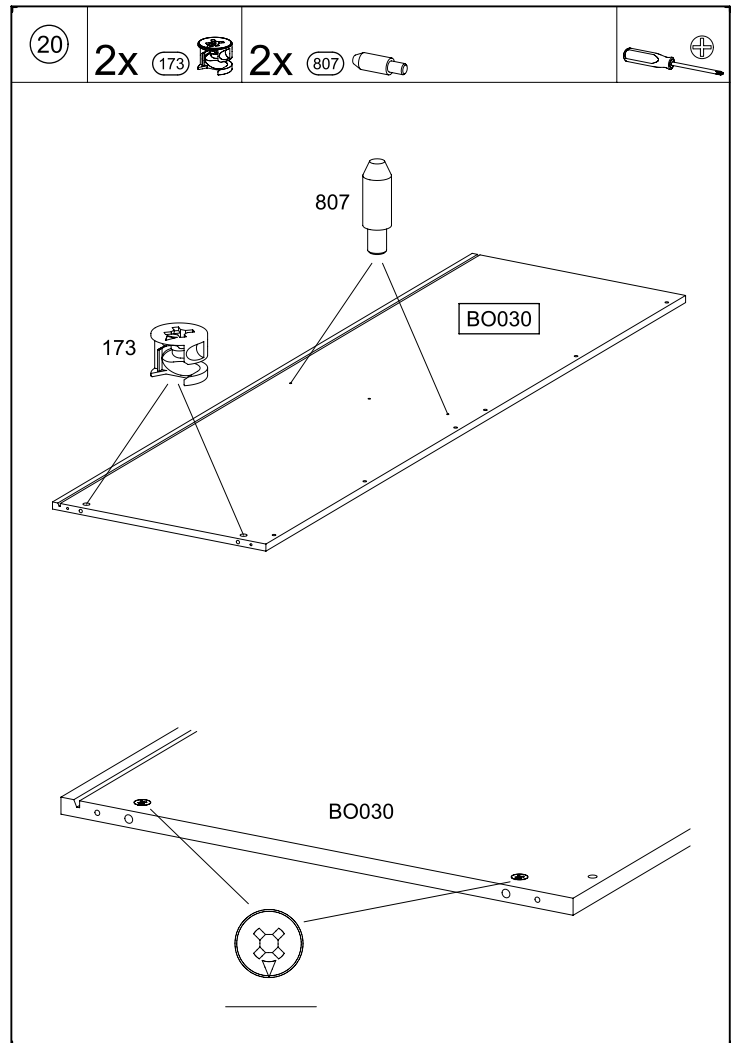
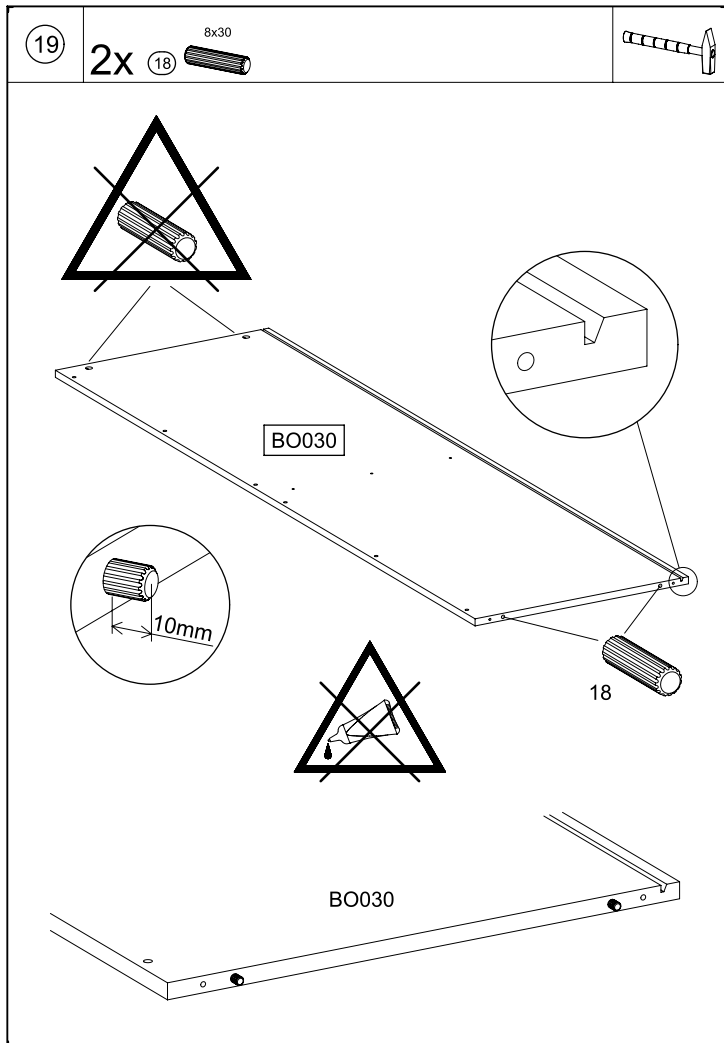
M2583

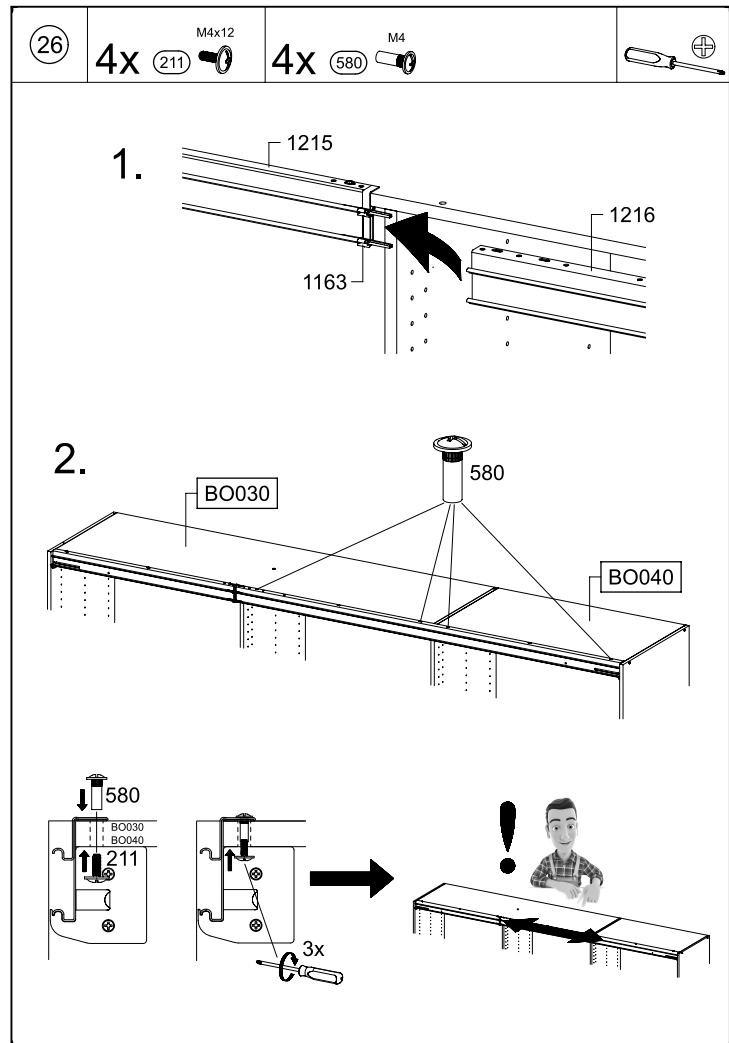
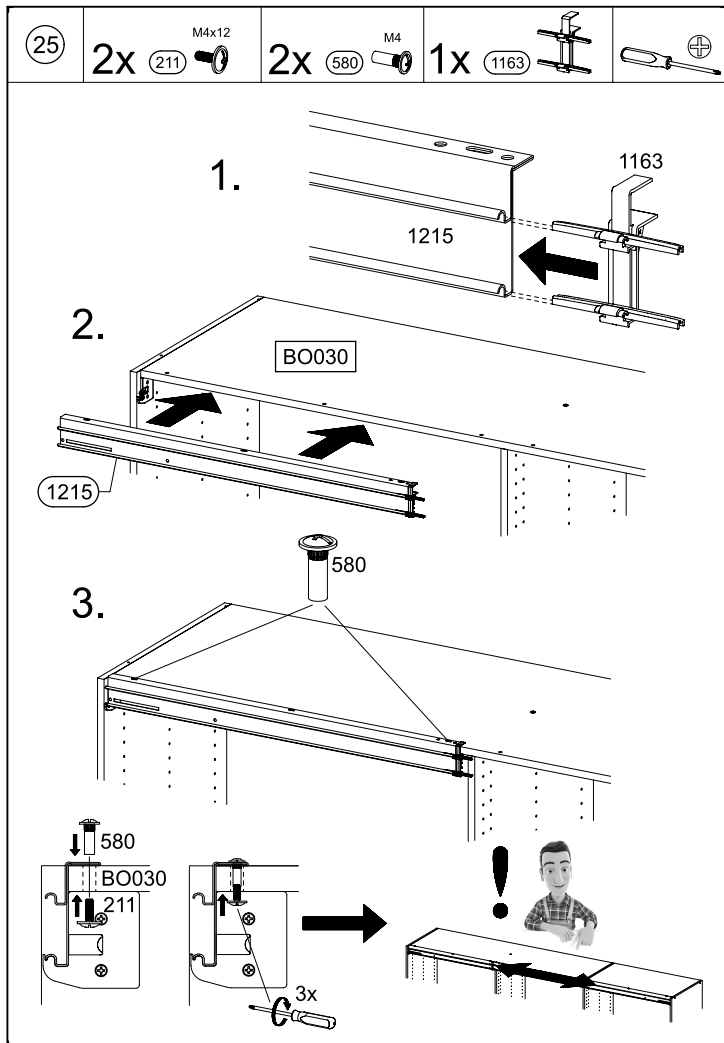
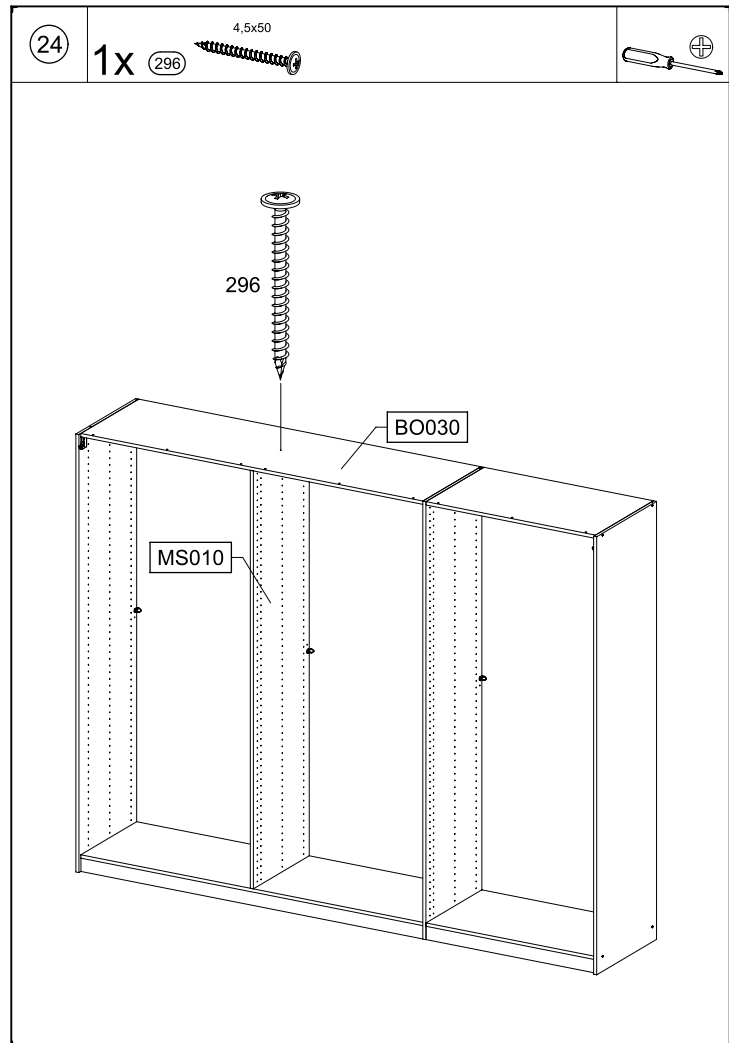
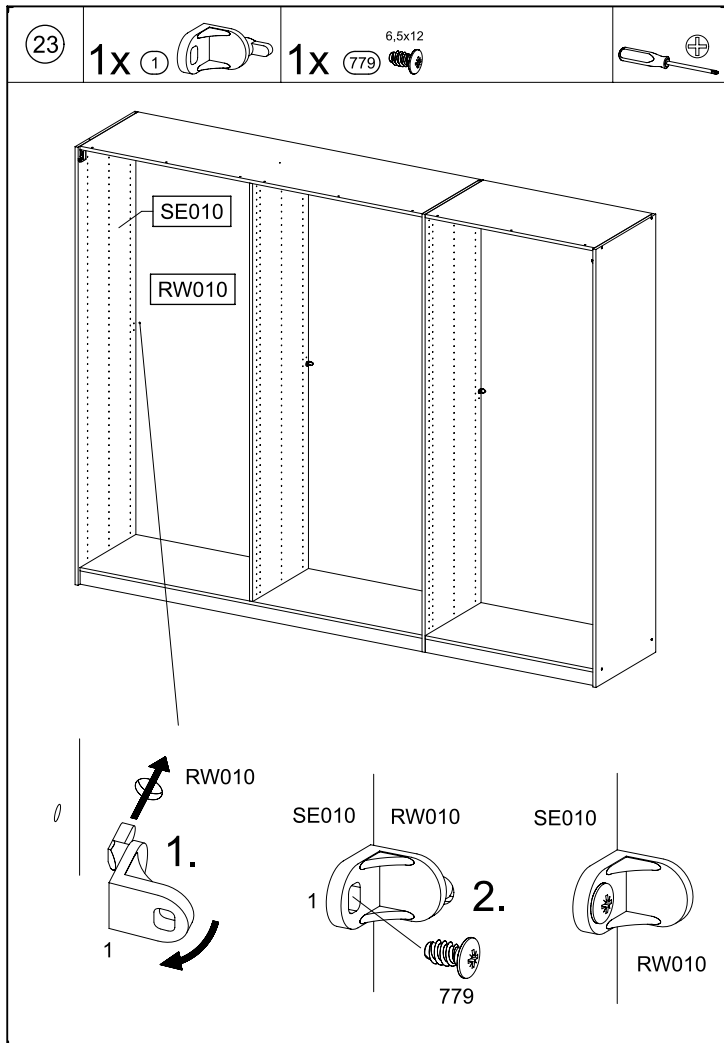


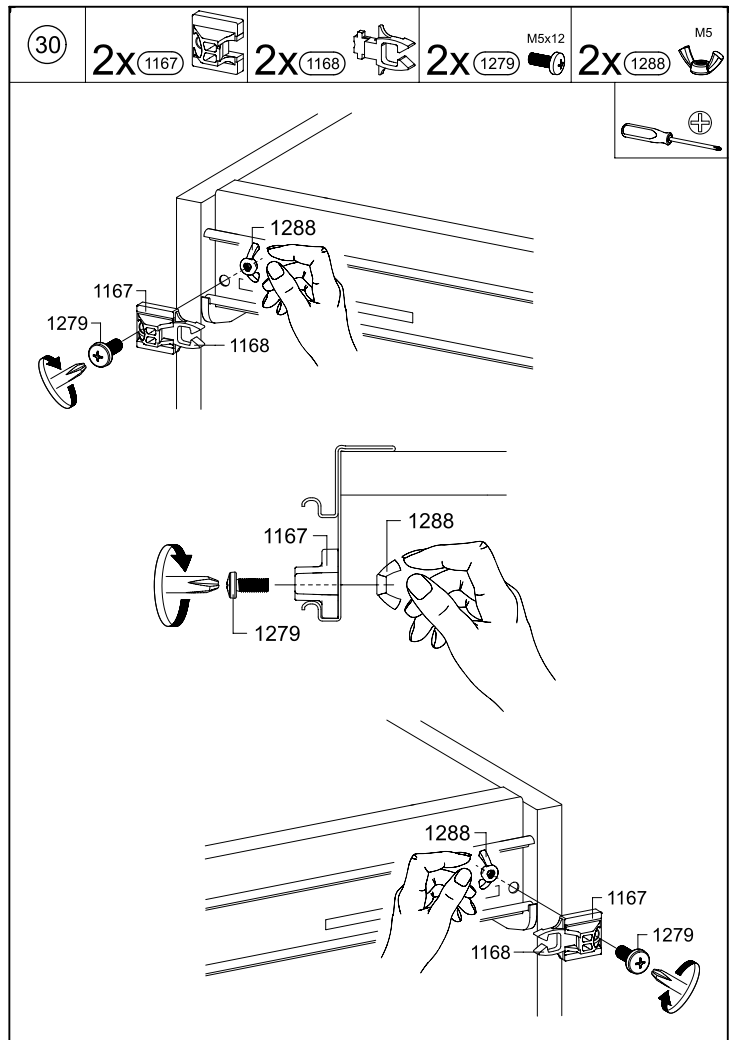
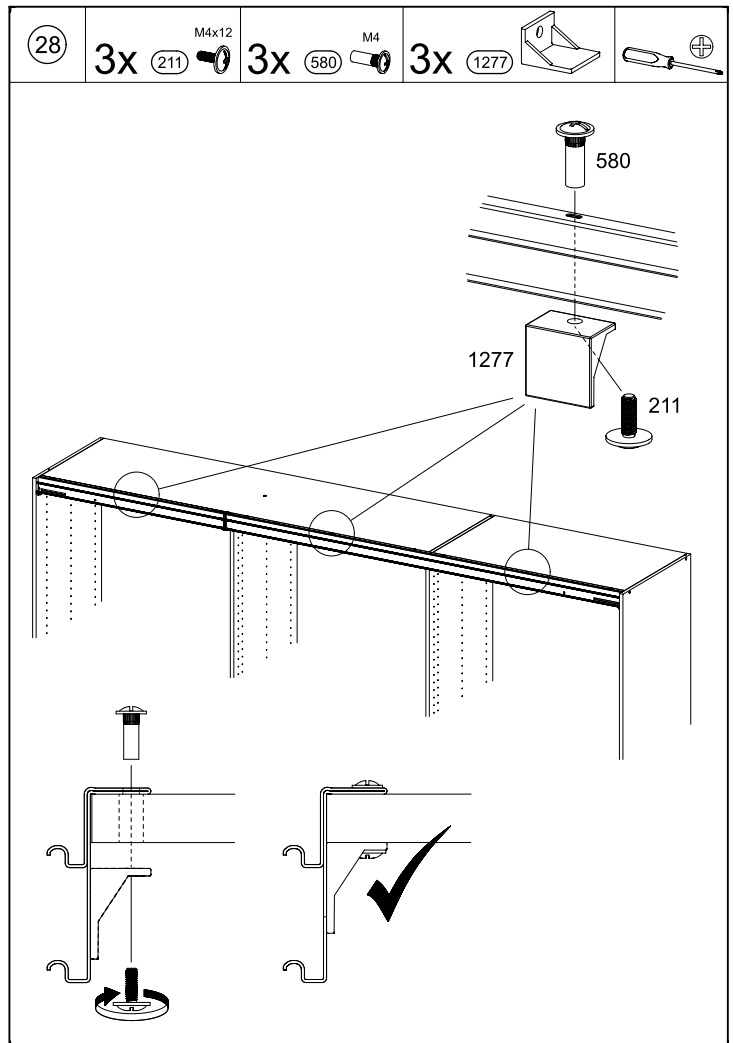
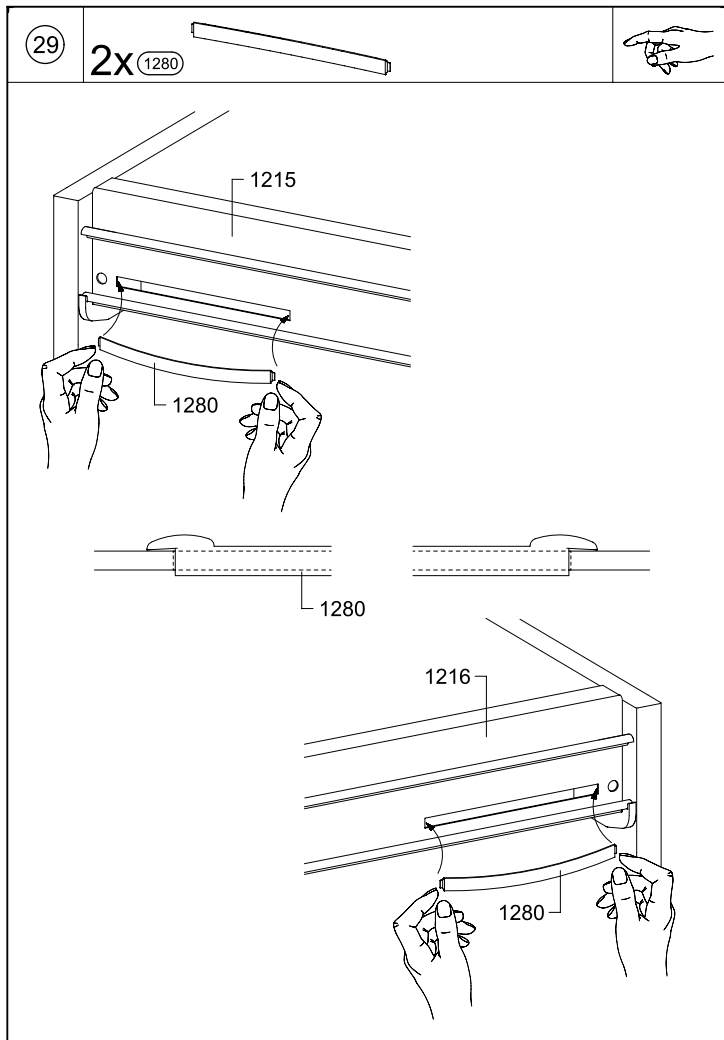
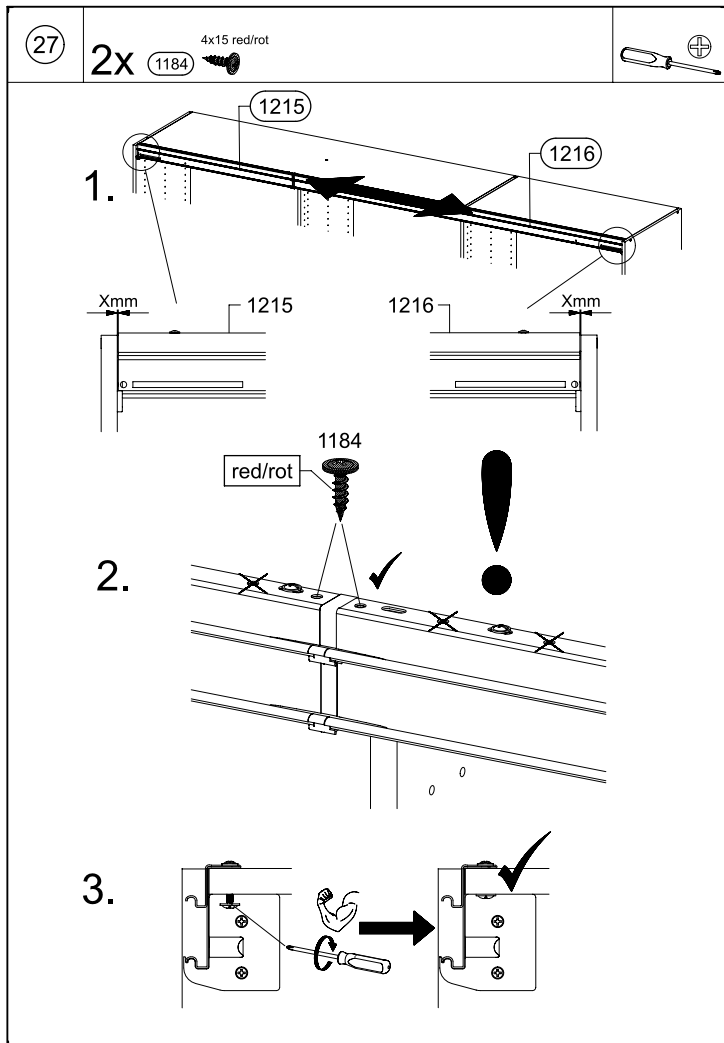
M2583

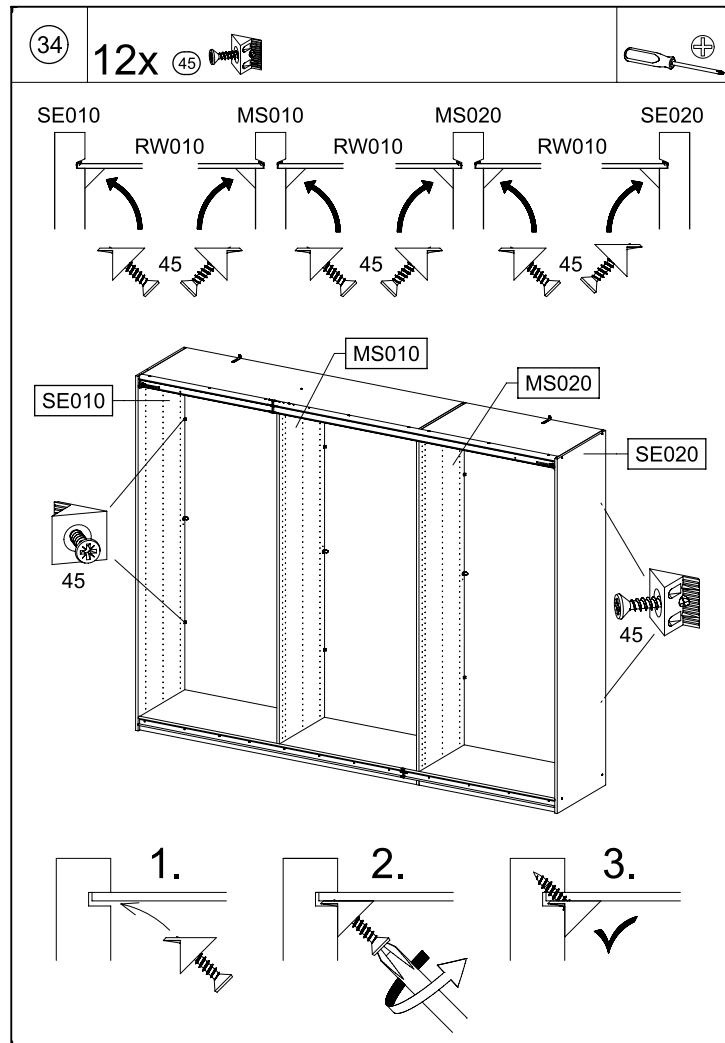
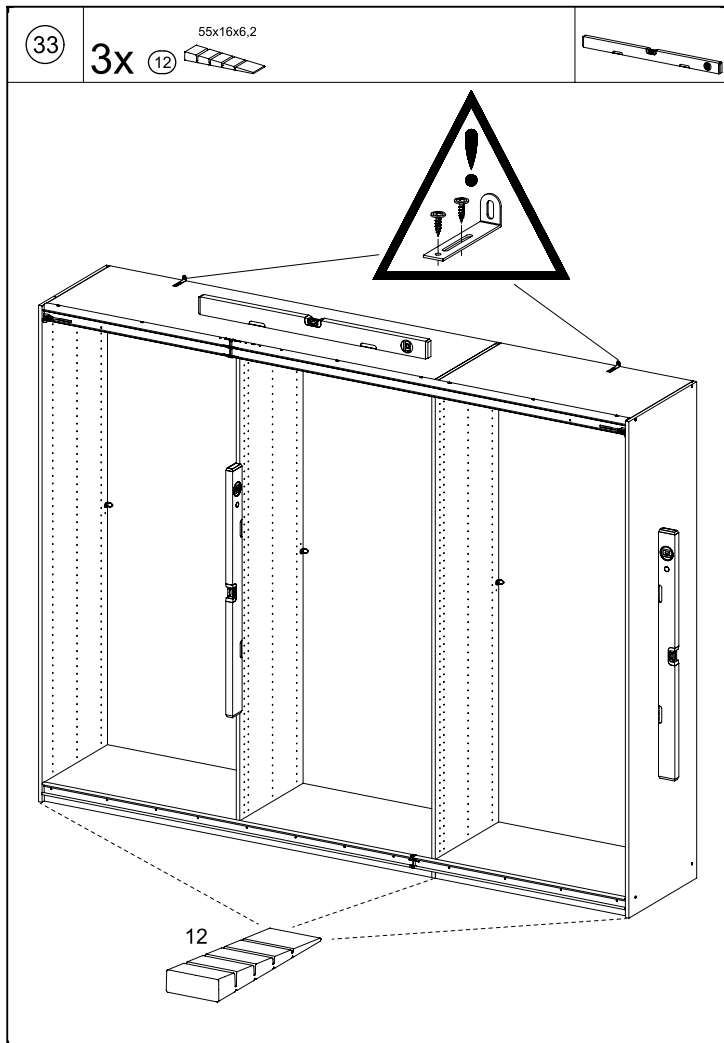
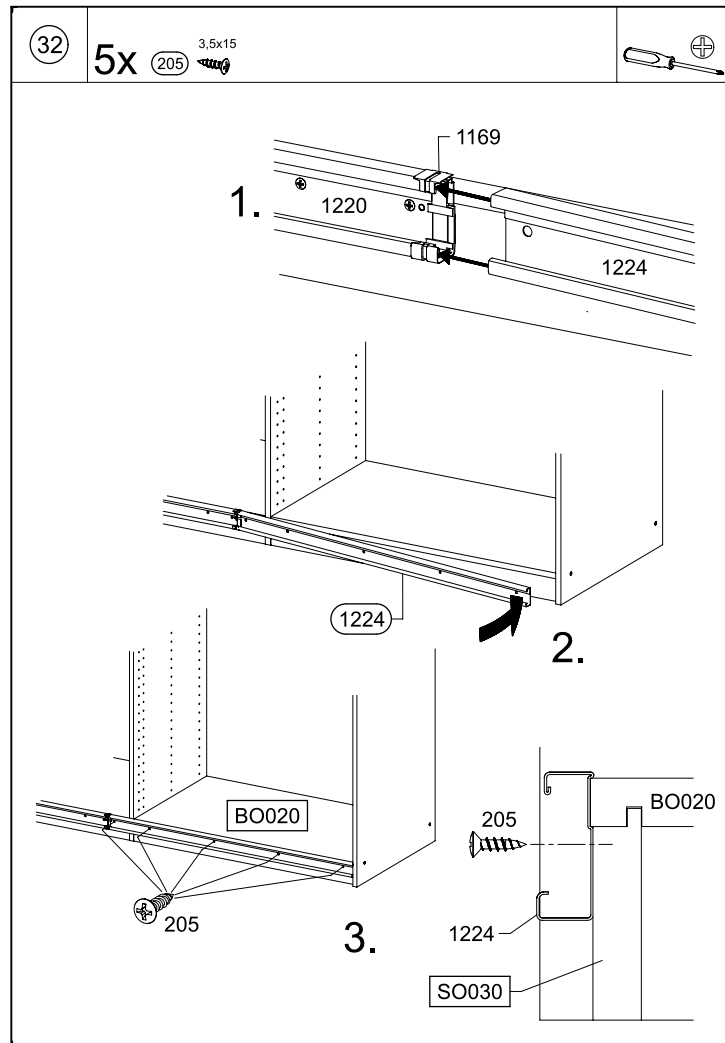
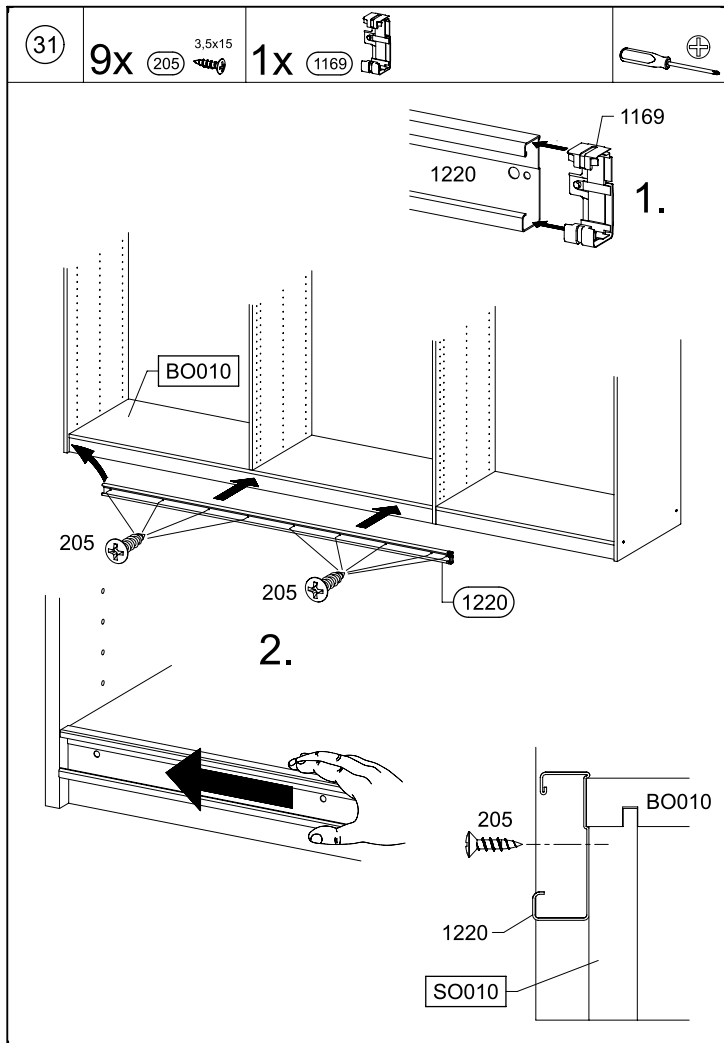


M2583



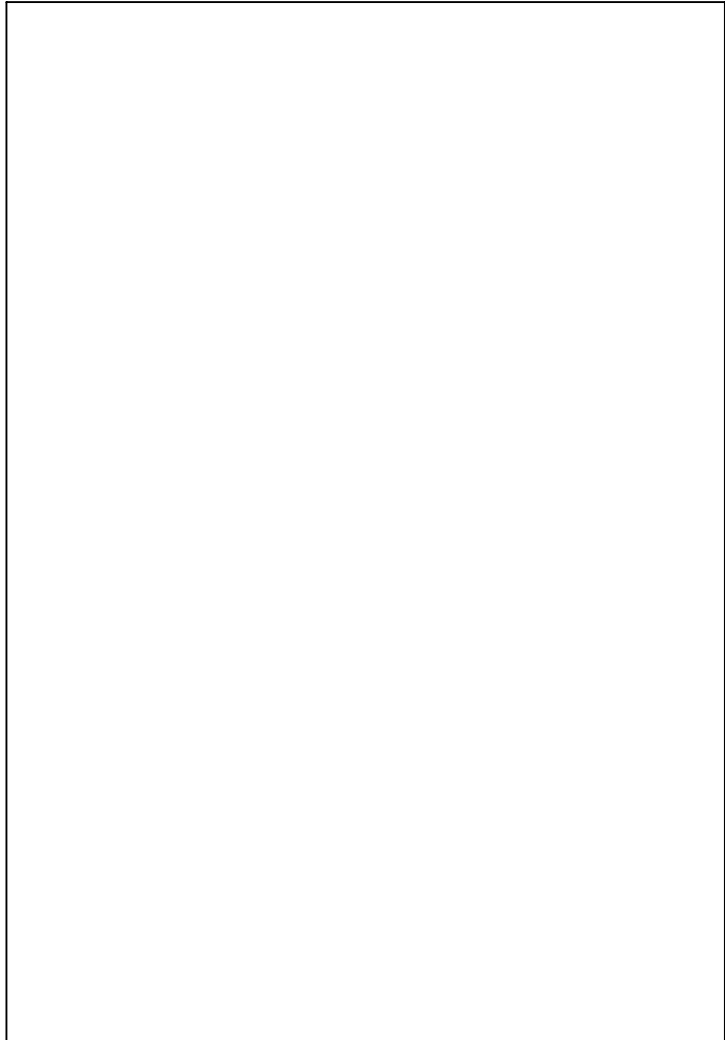
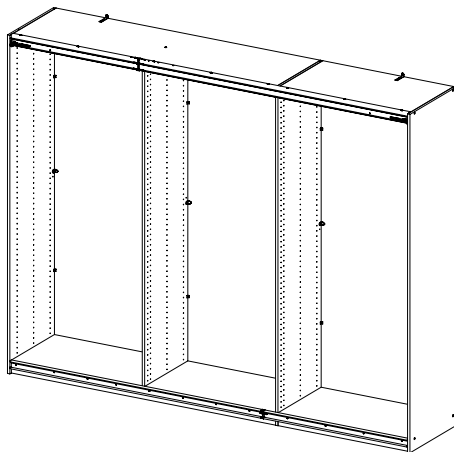
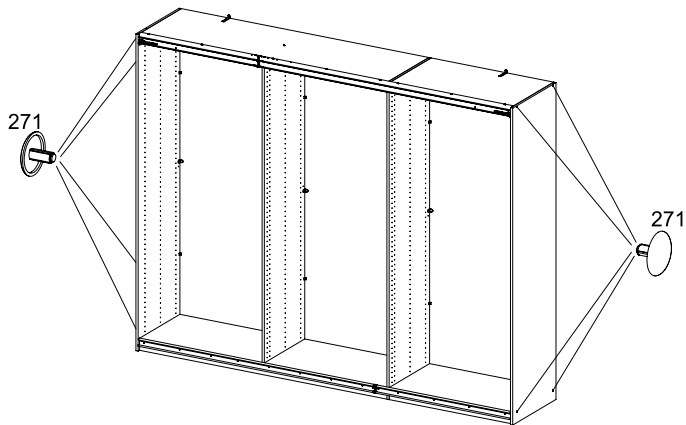




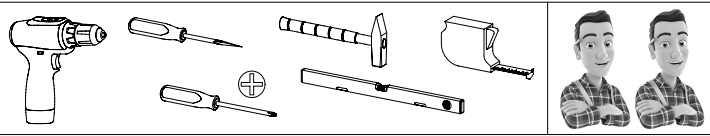


35

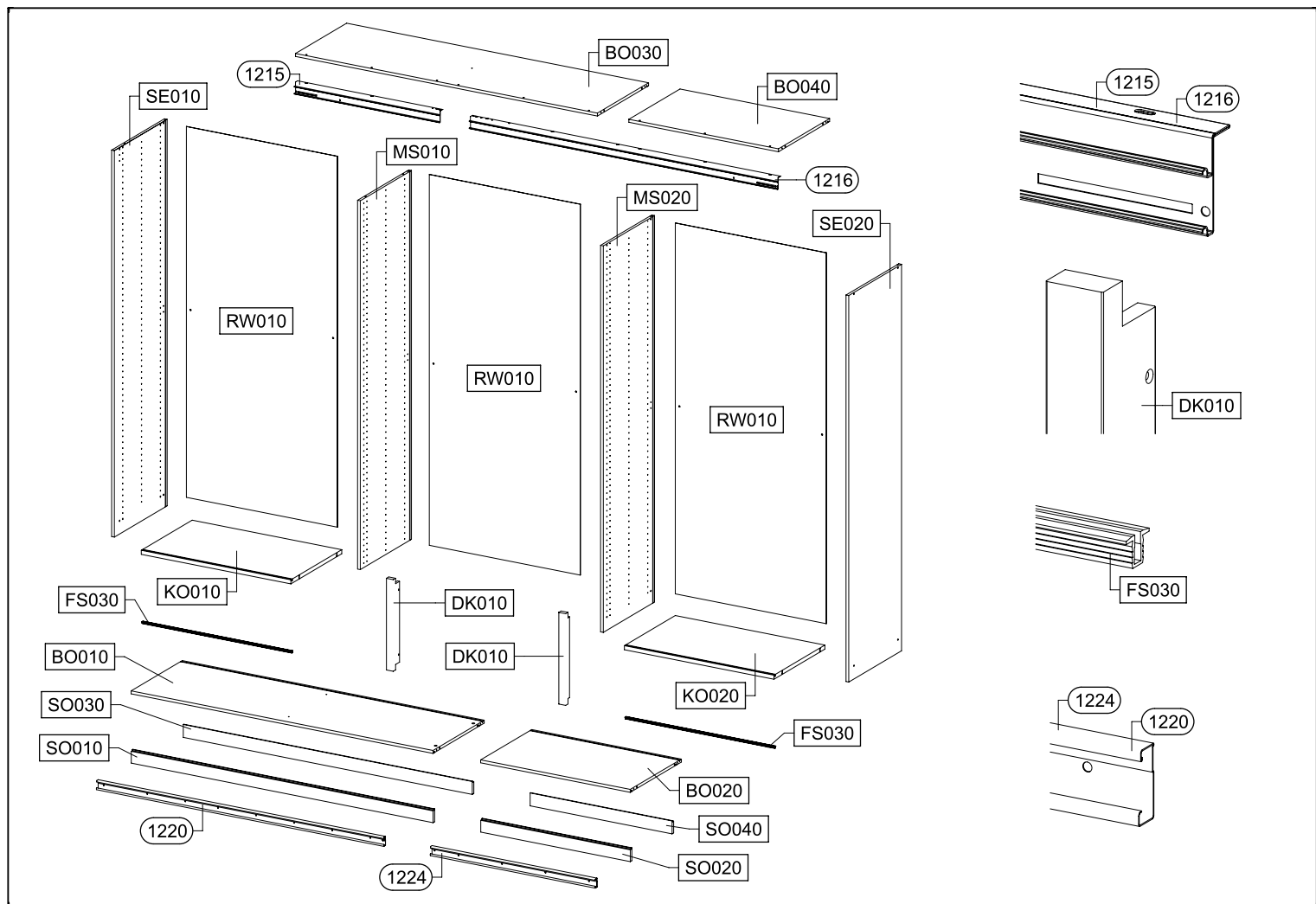
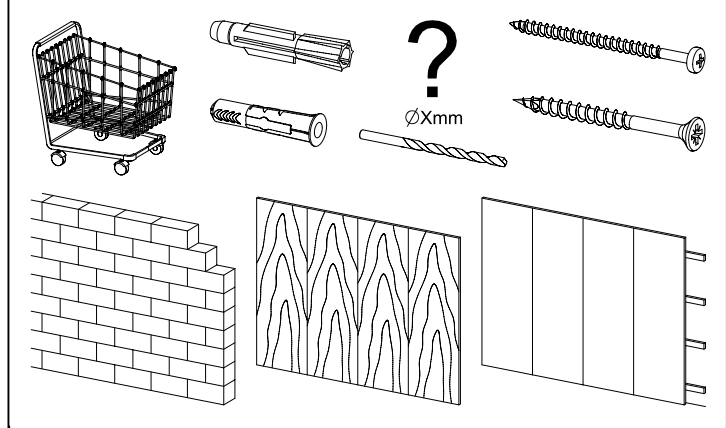
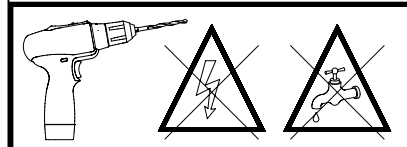
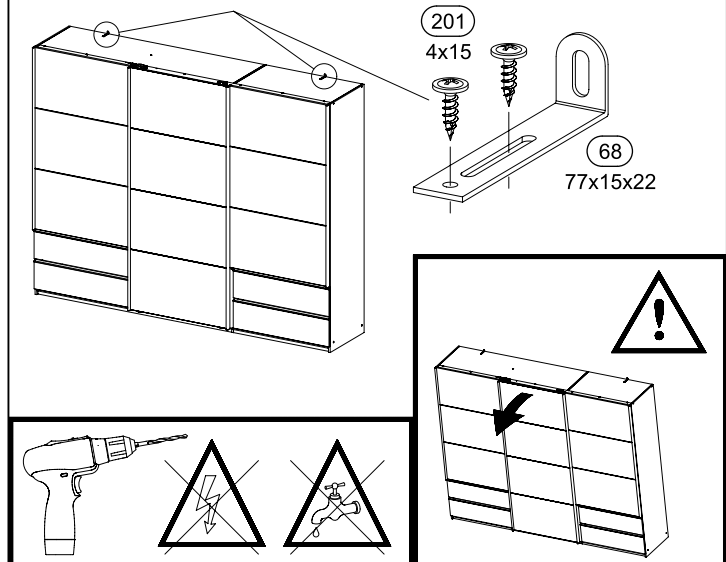
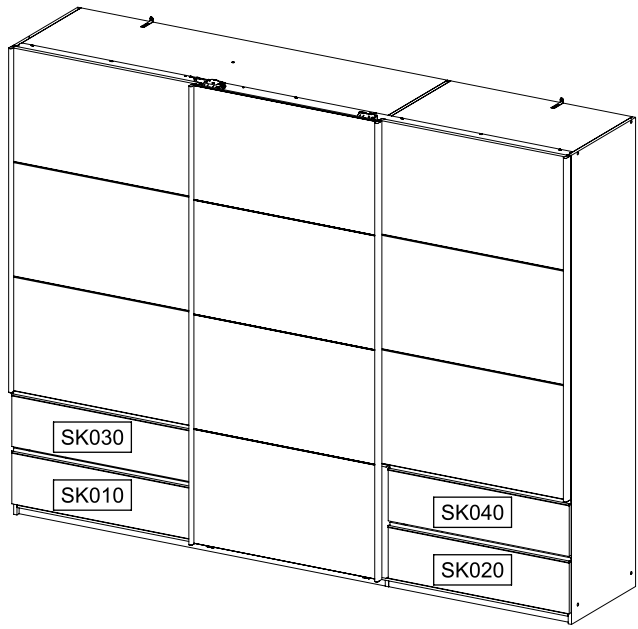
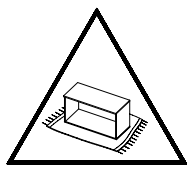
8x 271

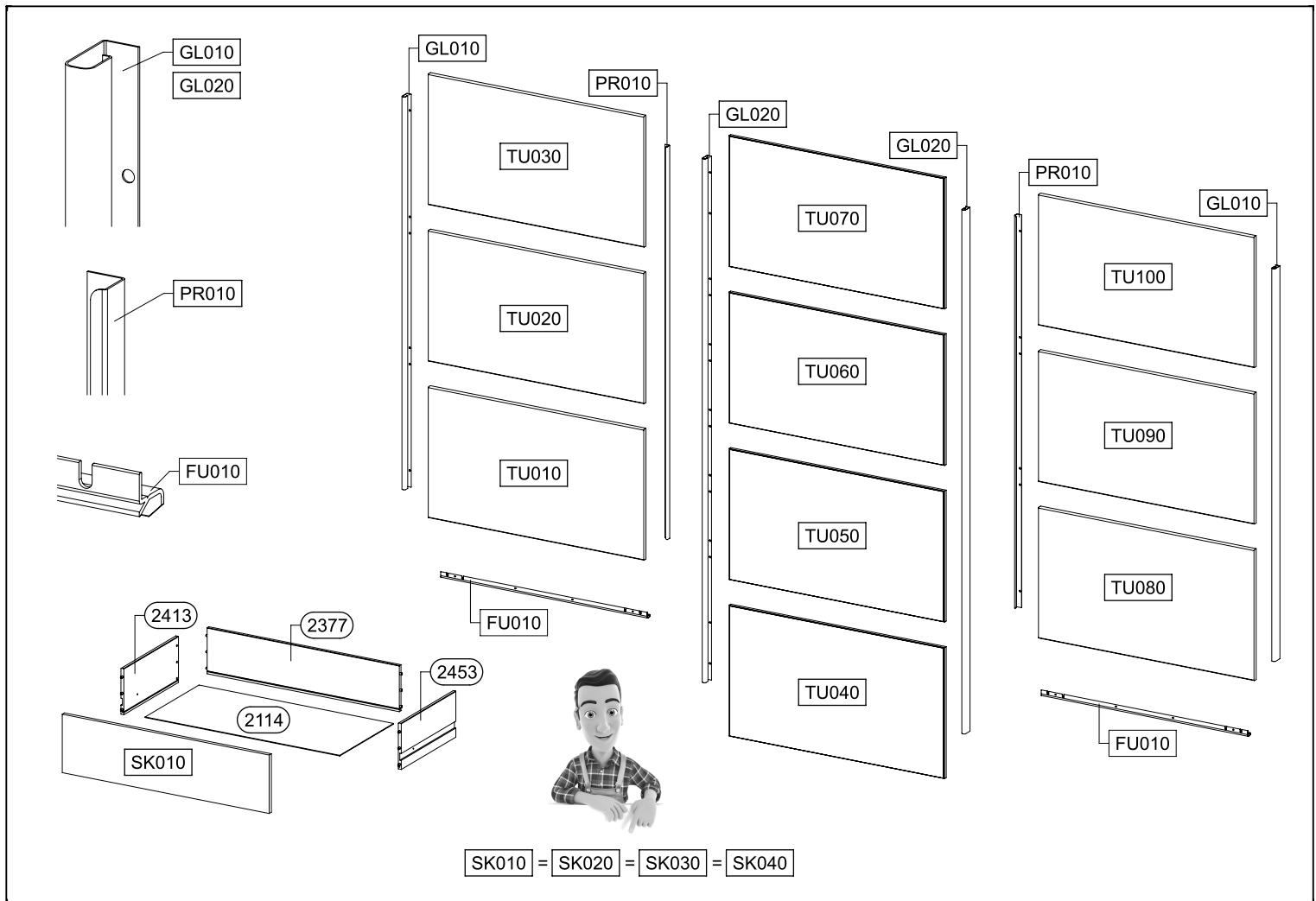


M2935_02



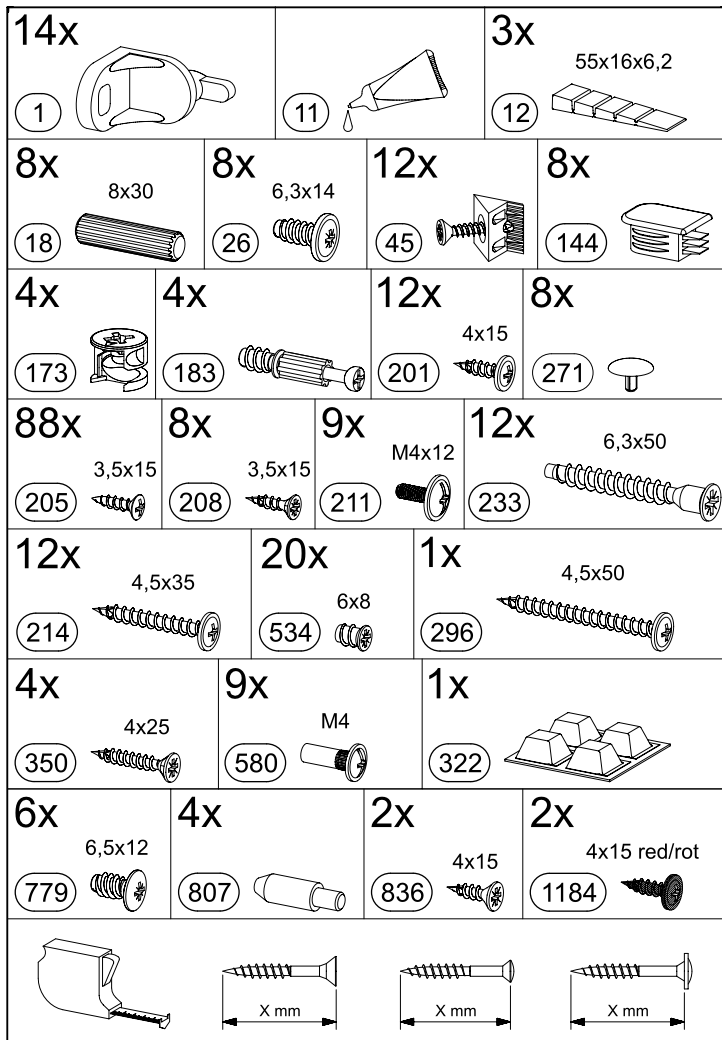
5-6h





M2935

7.

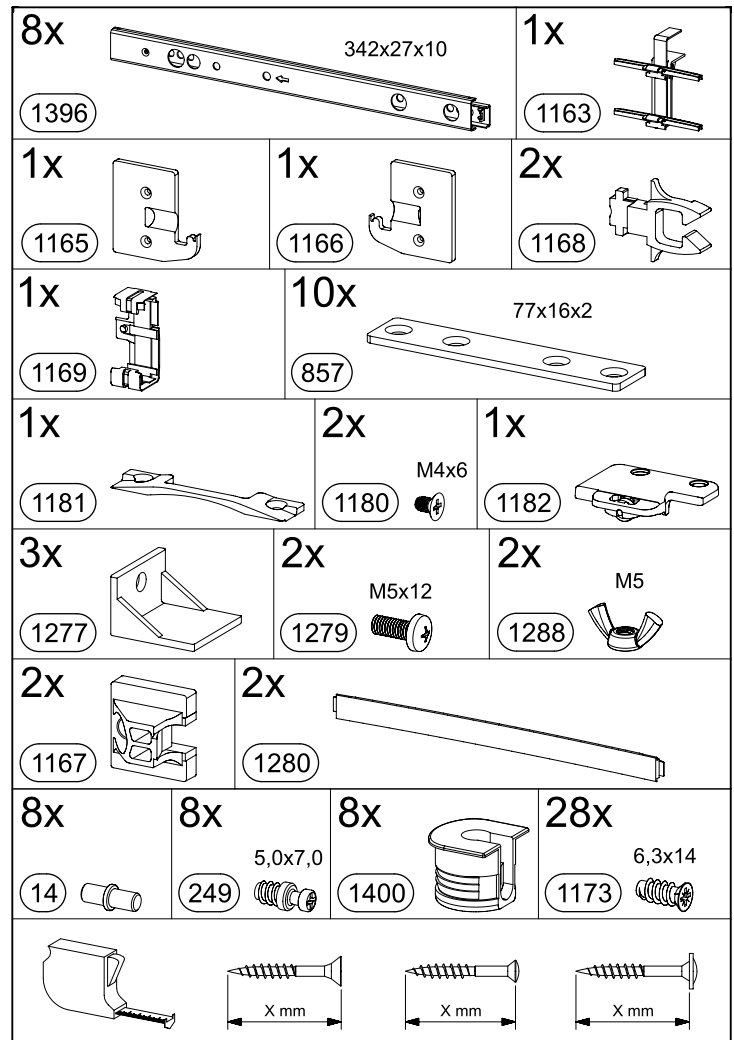


M2935

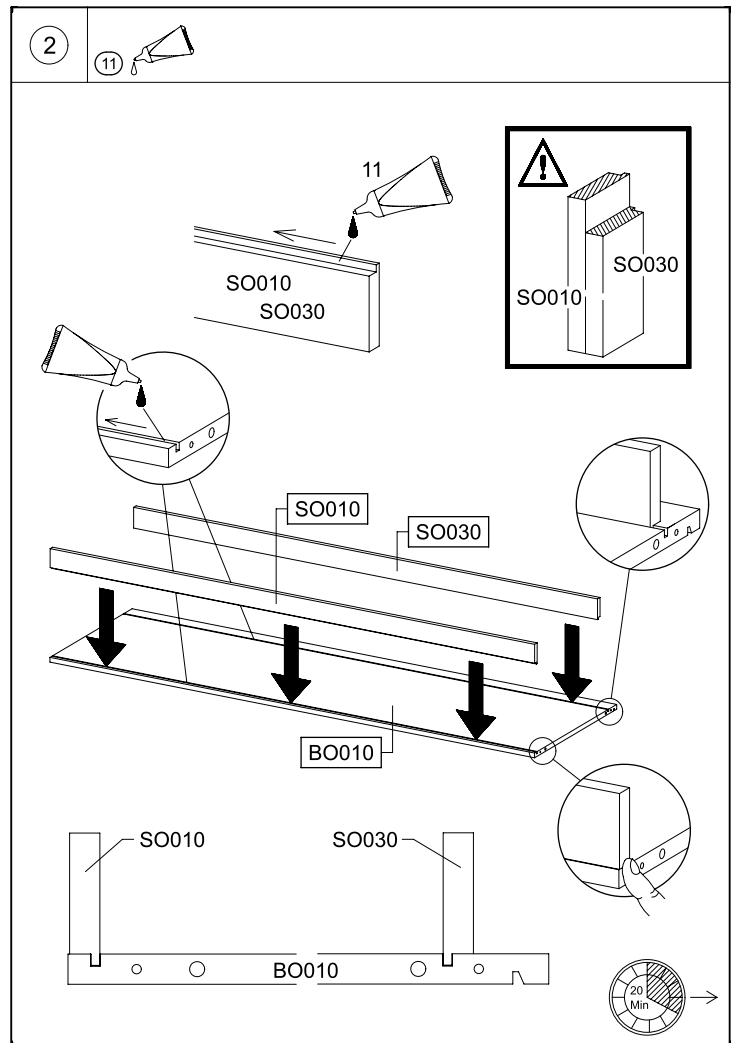
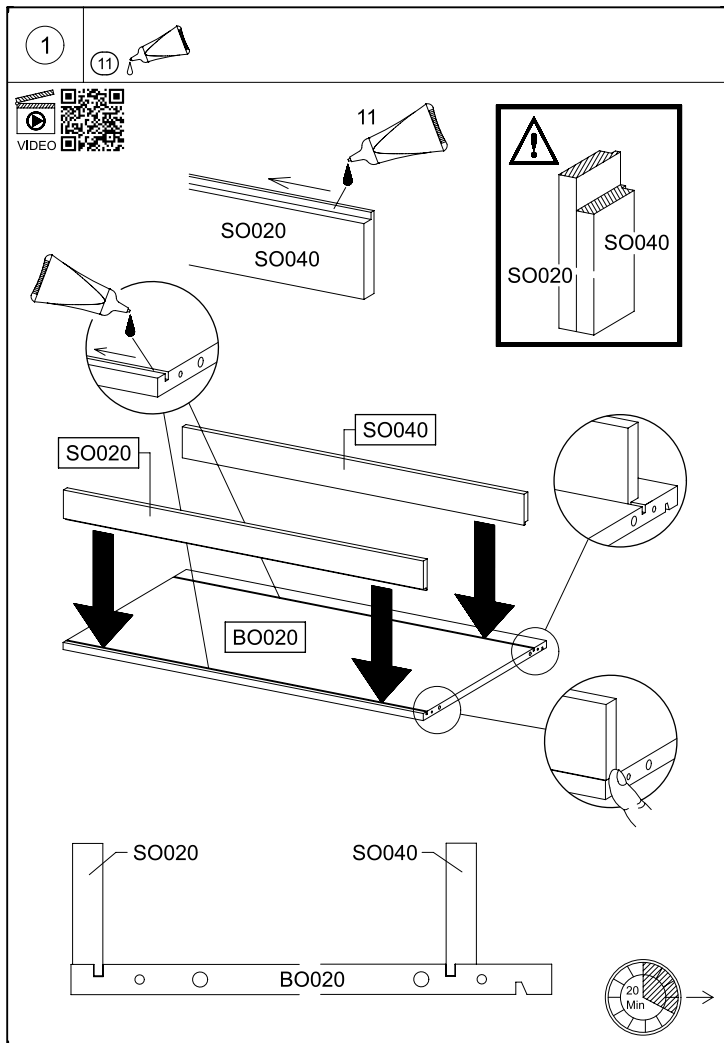
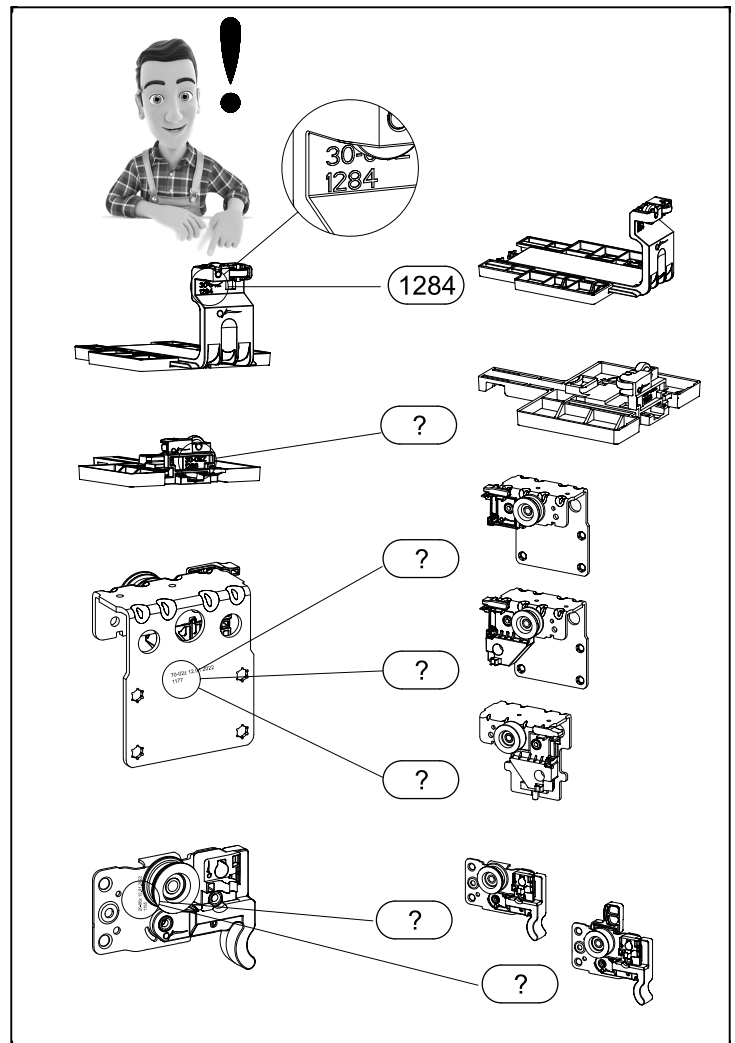
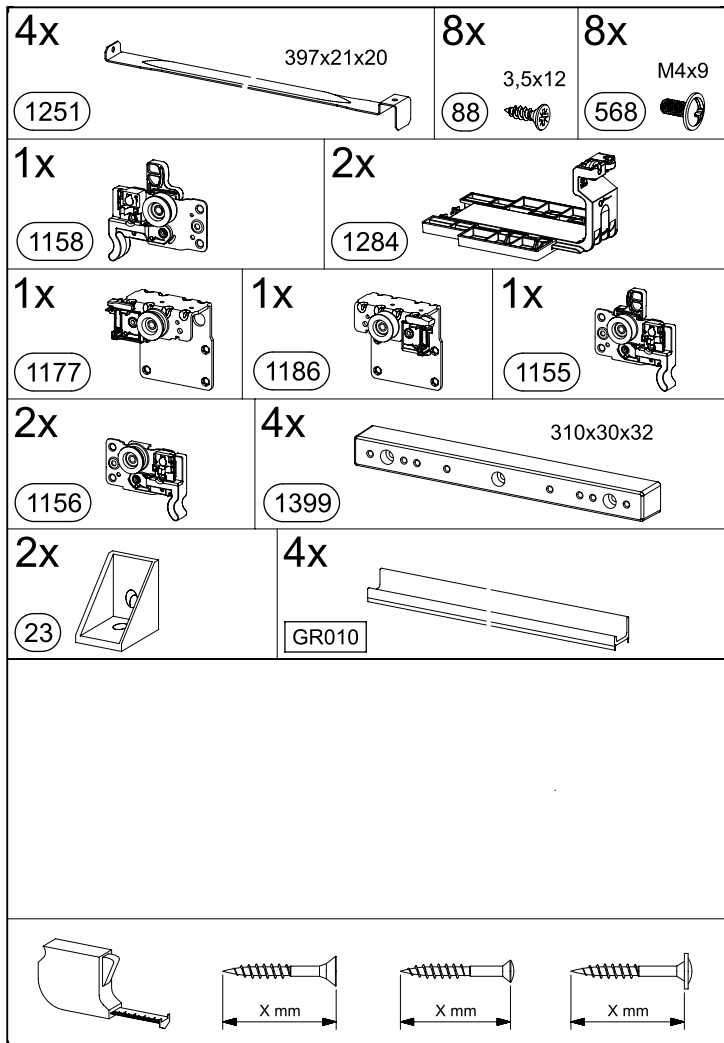


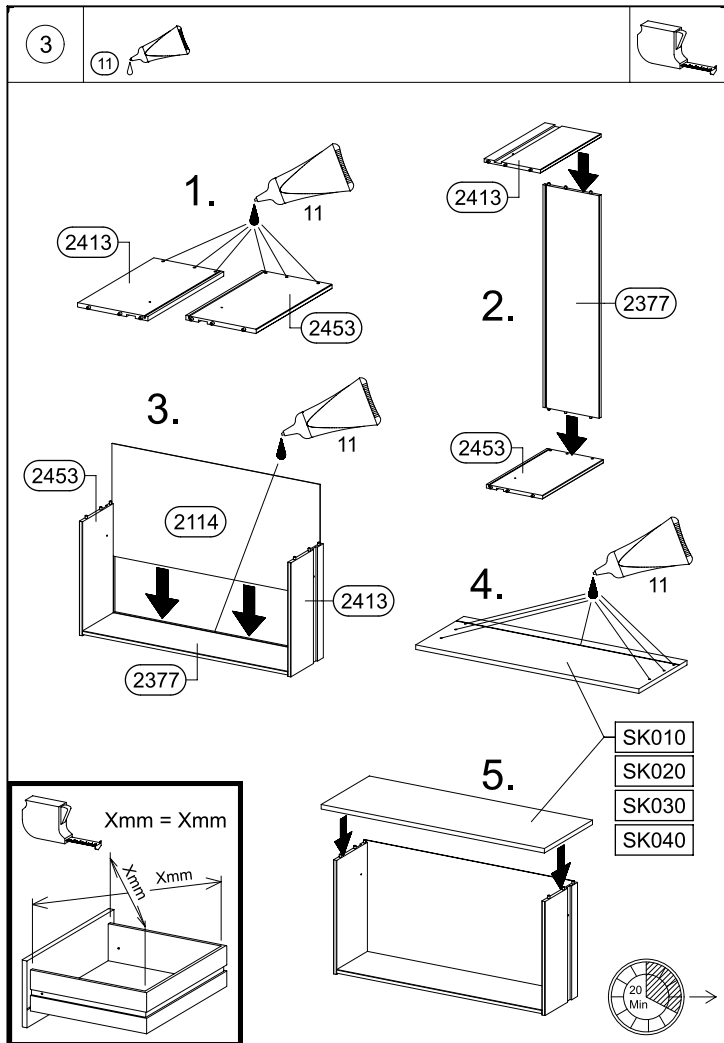
M2935

8.

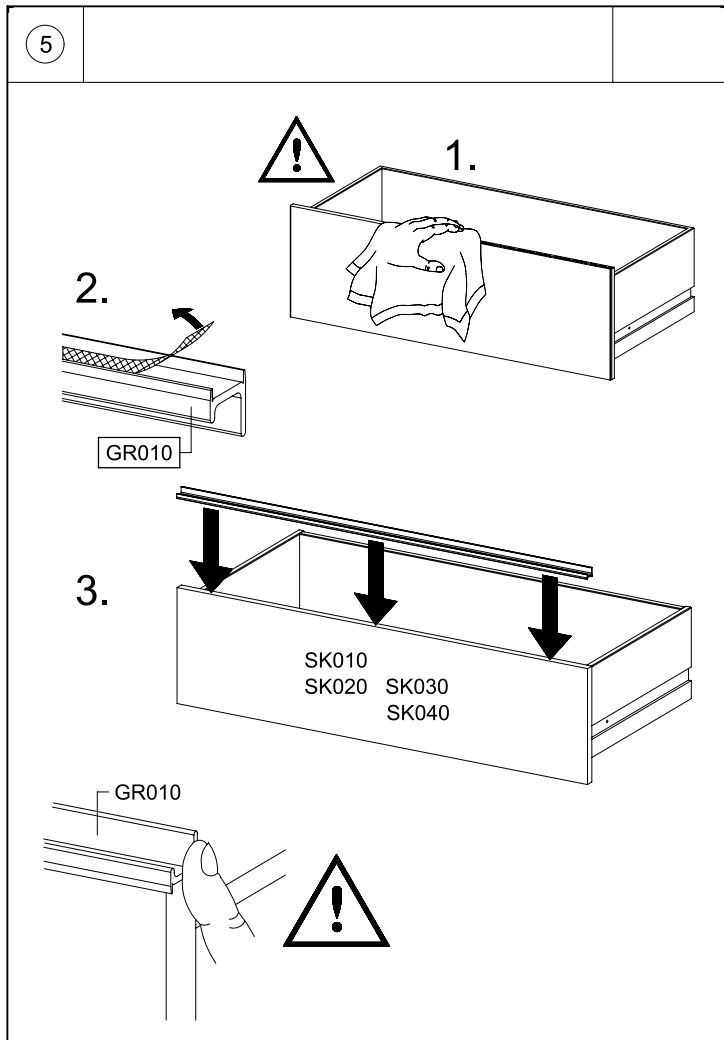


M2935

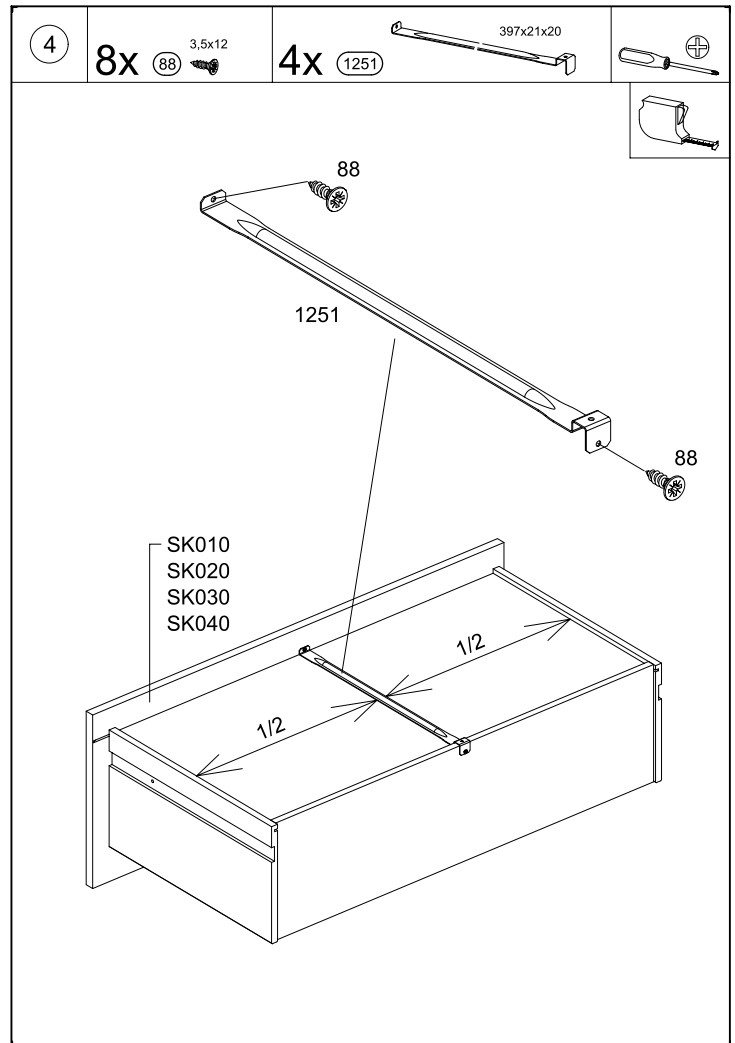




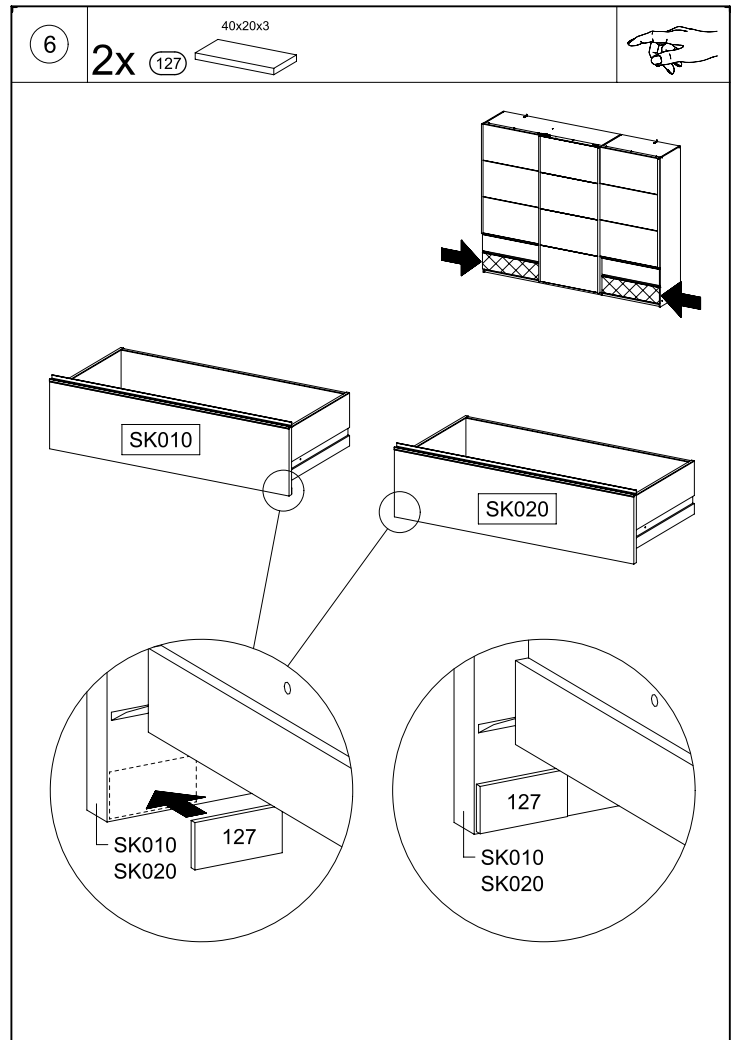
M2935



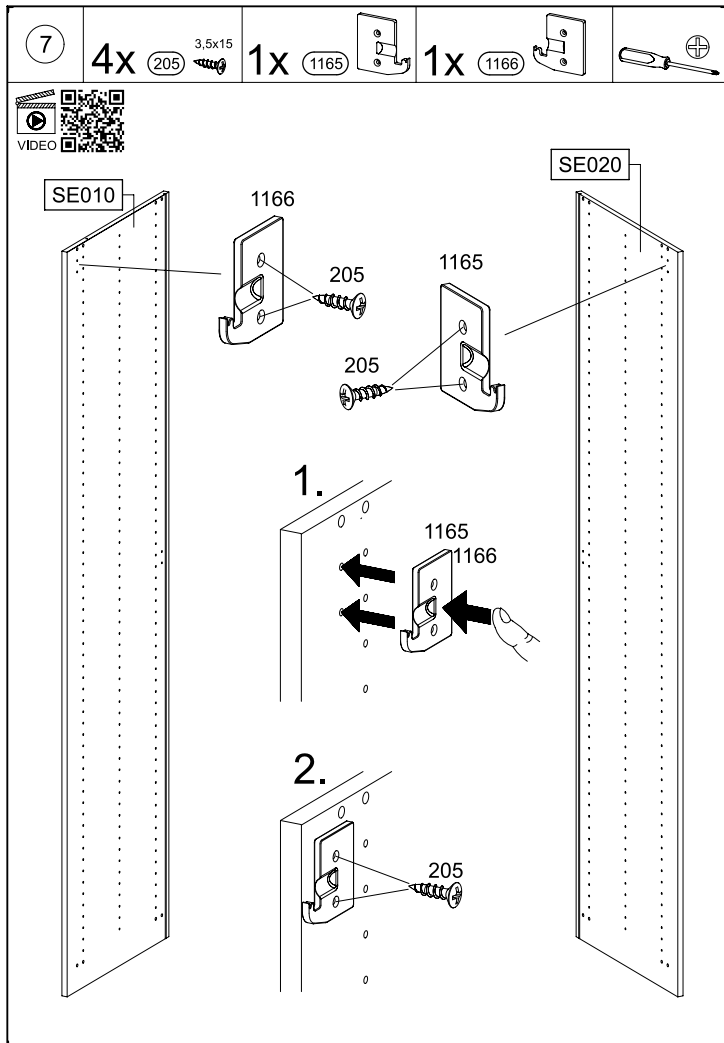
M2935



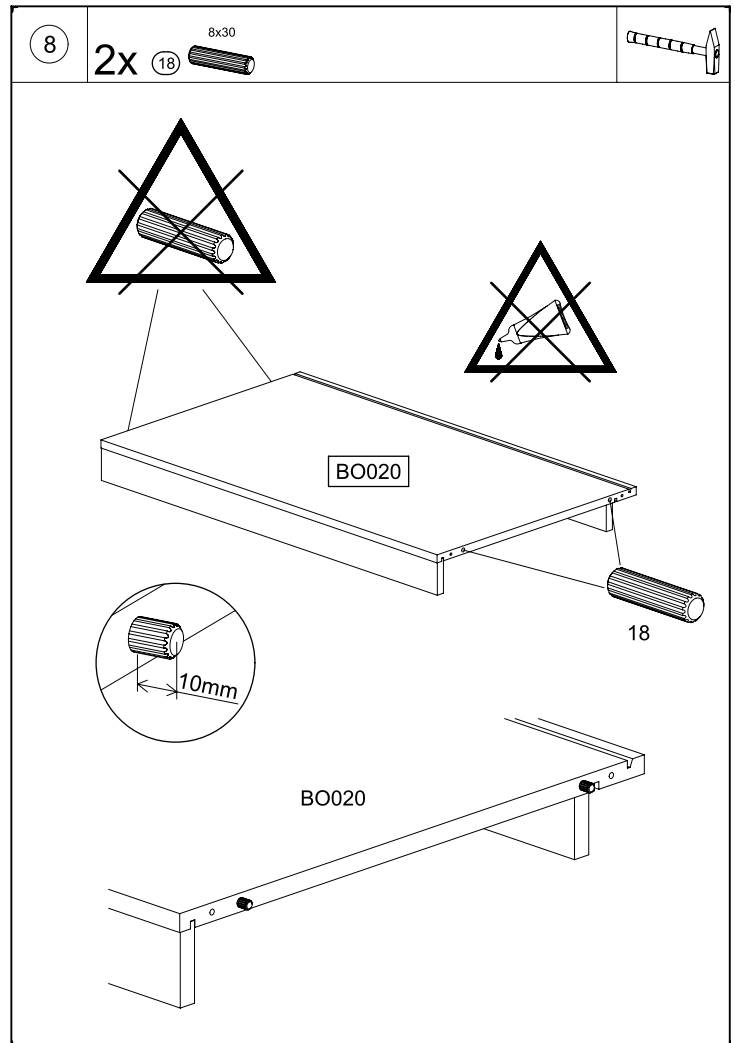
M2935



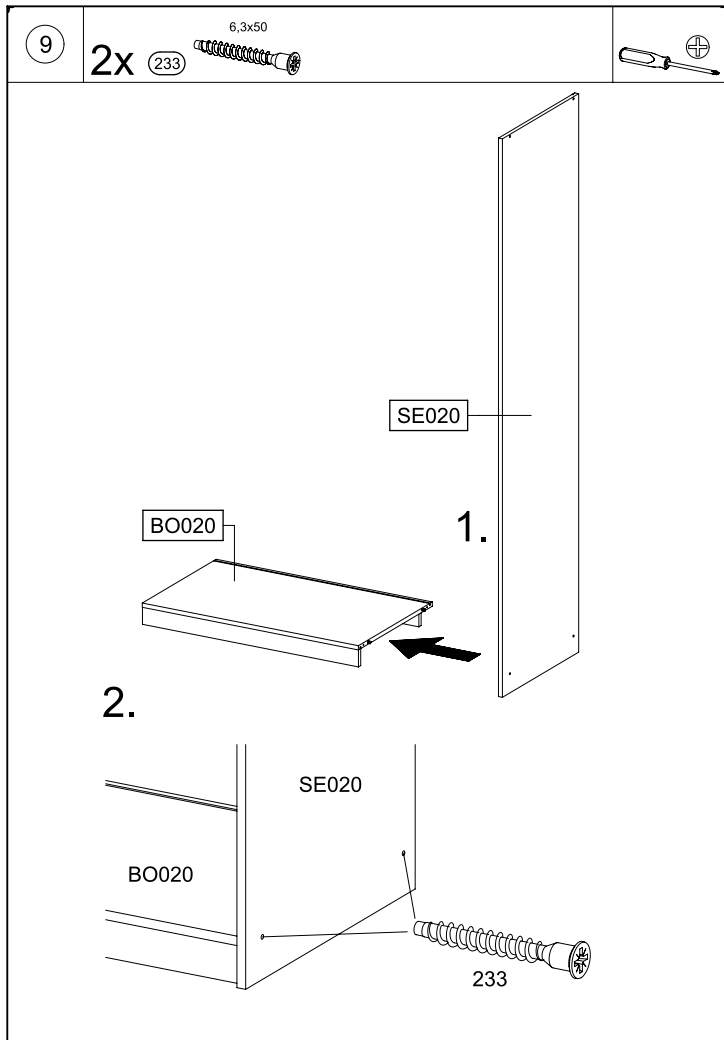
M2935



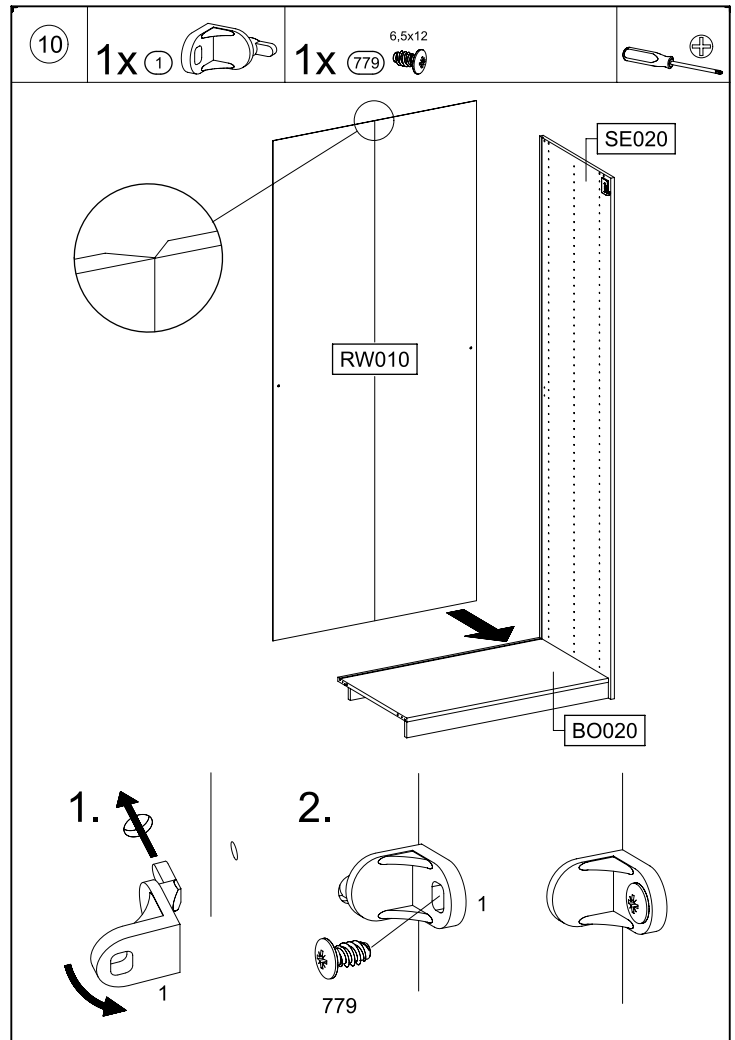
M2935



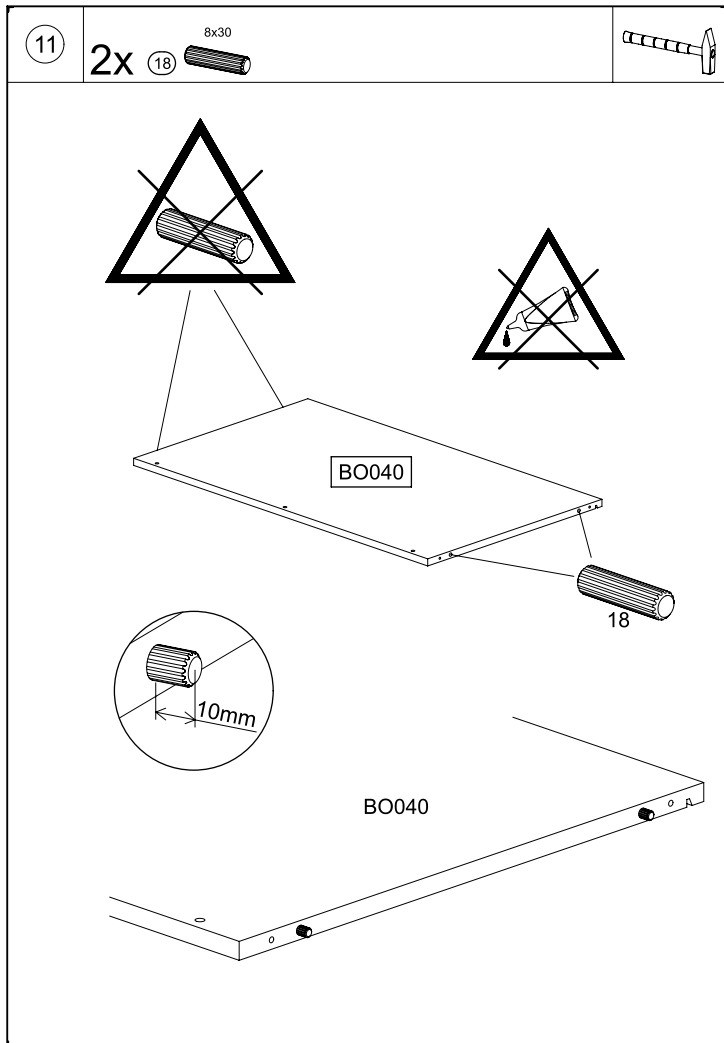
M2935



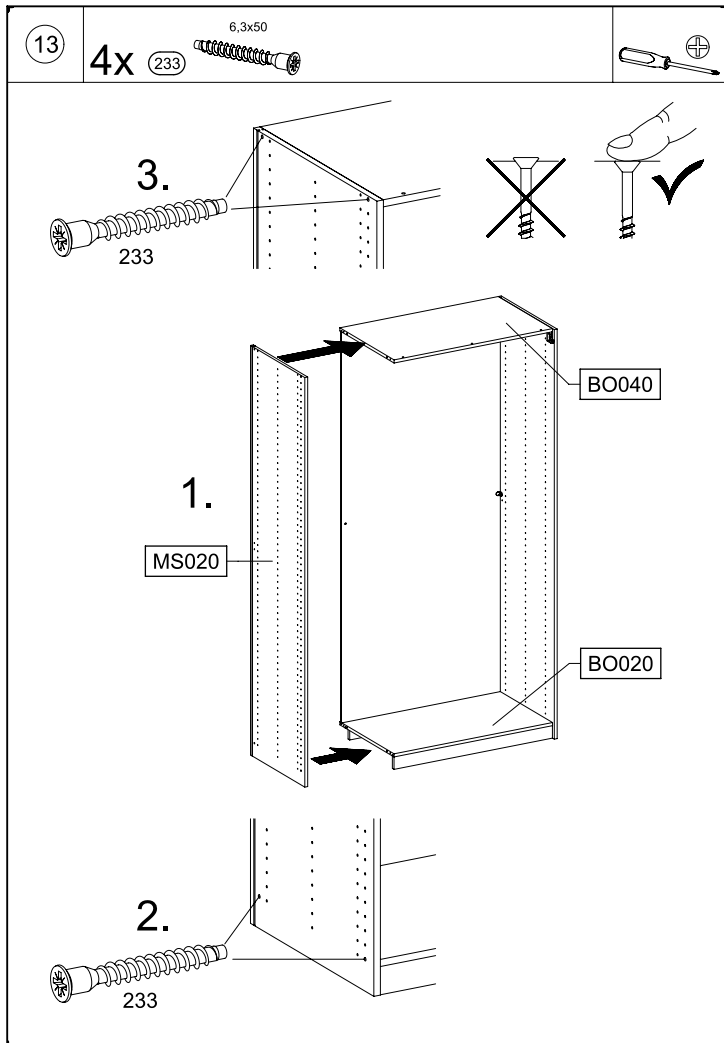
M2935



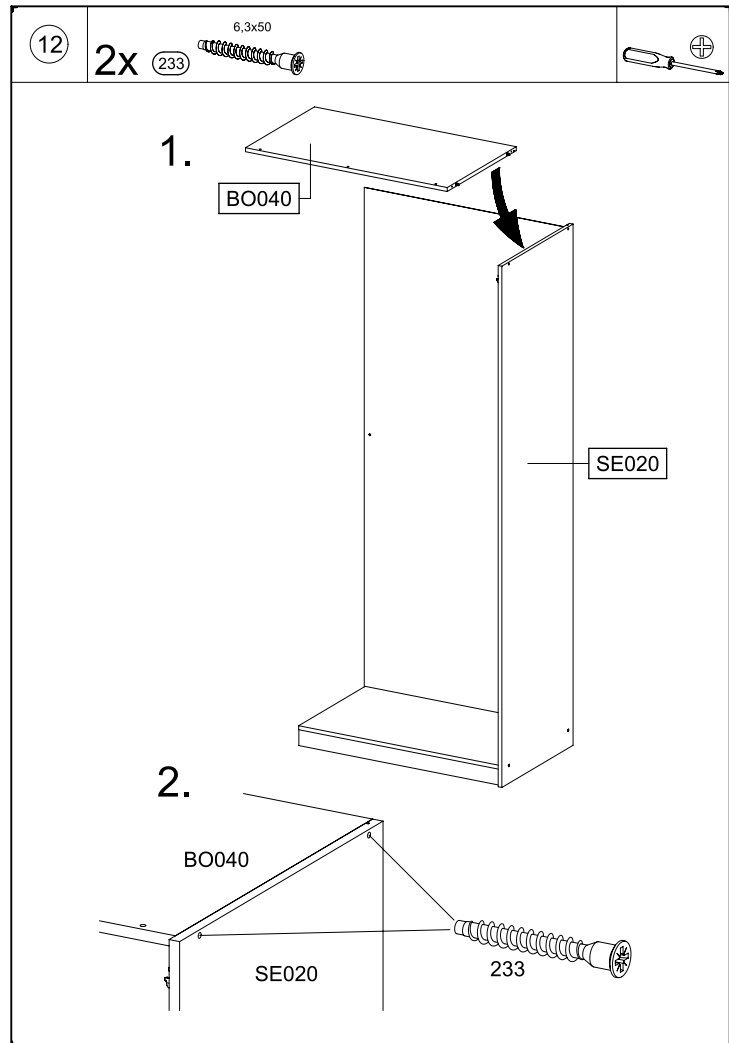
M2935



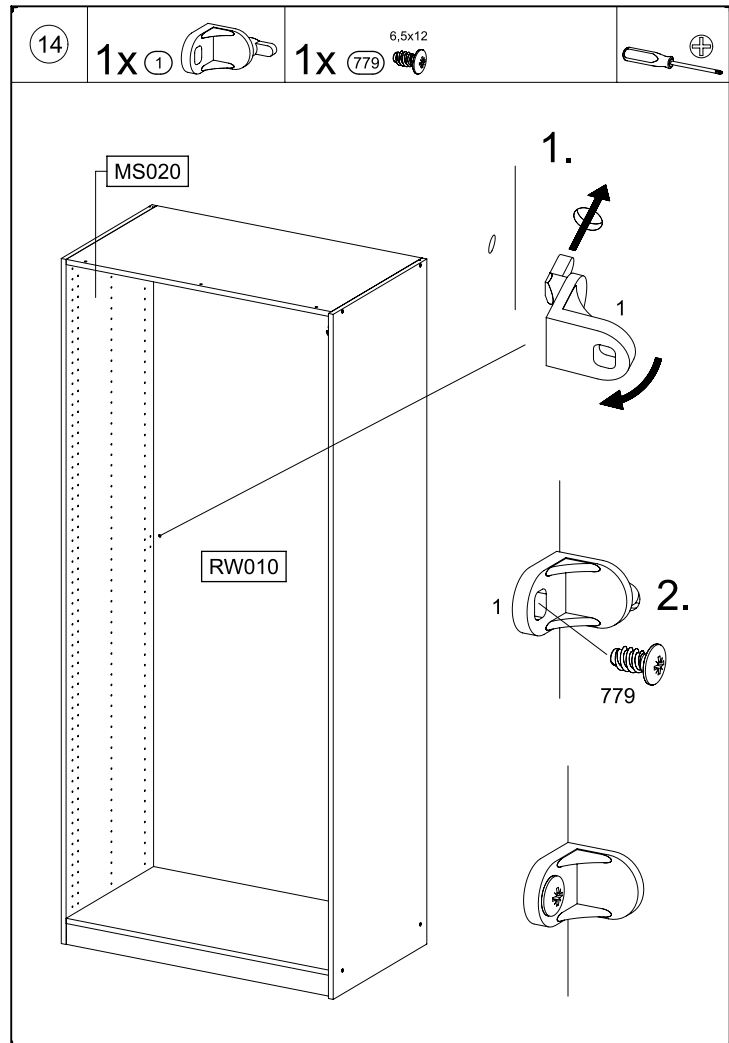
M2935



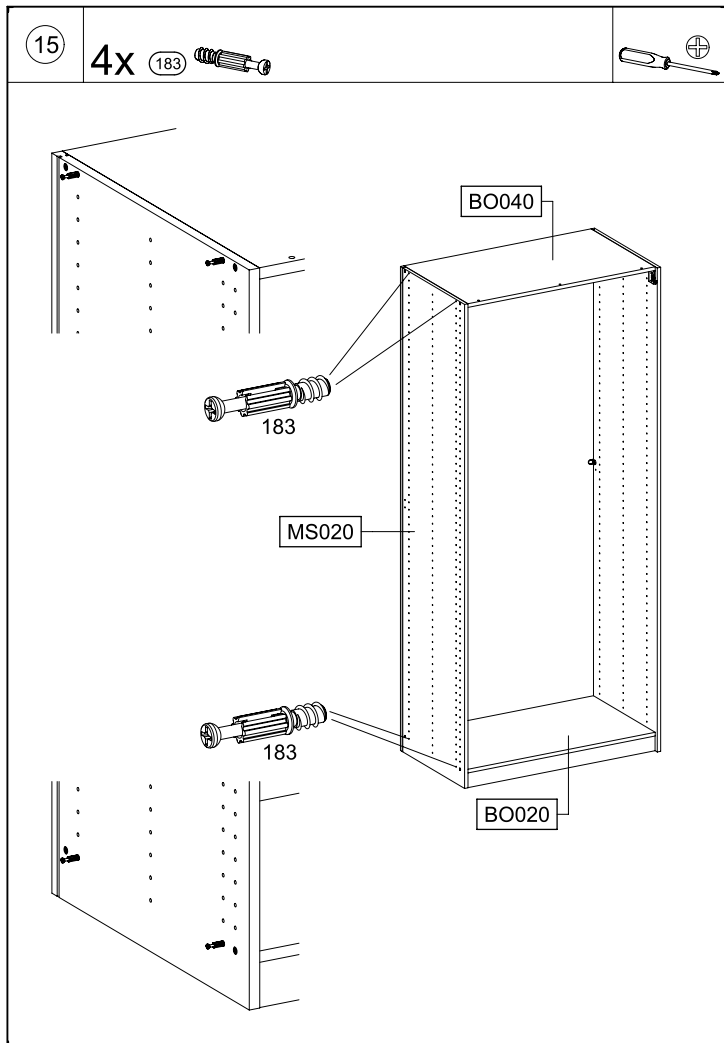
M2935



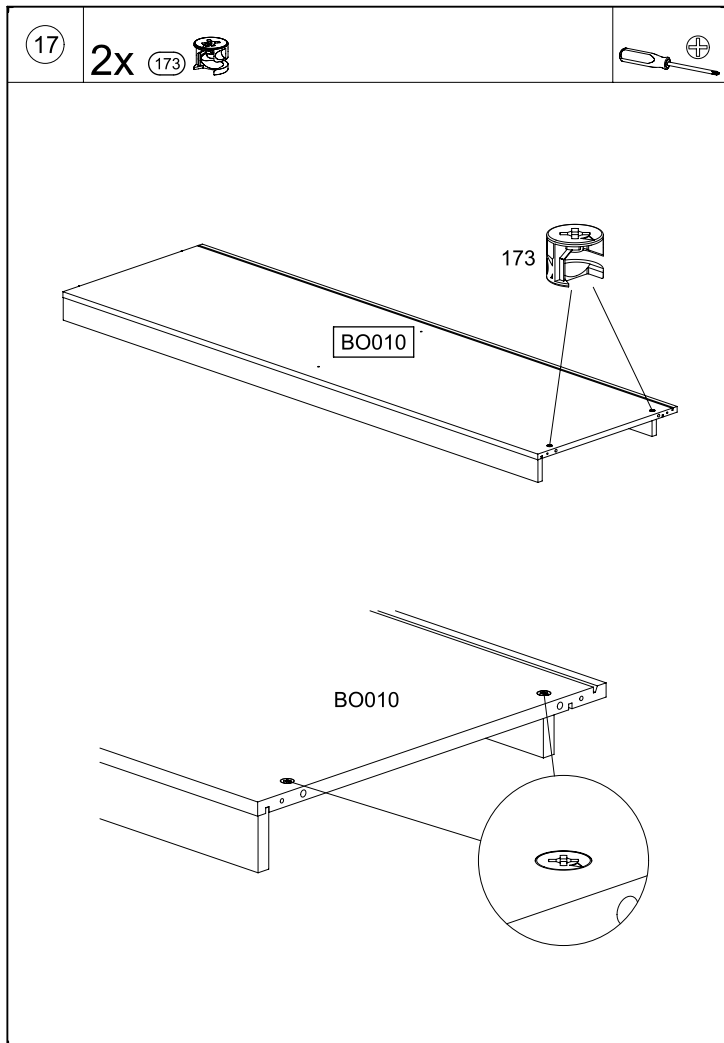
M2935



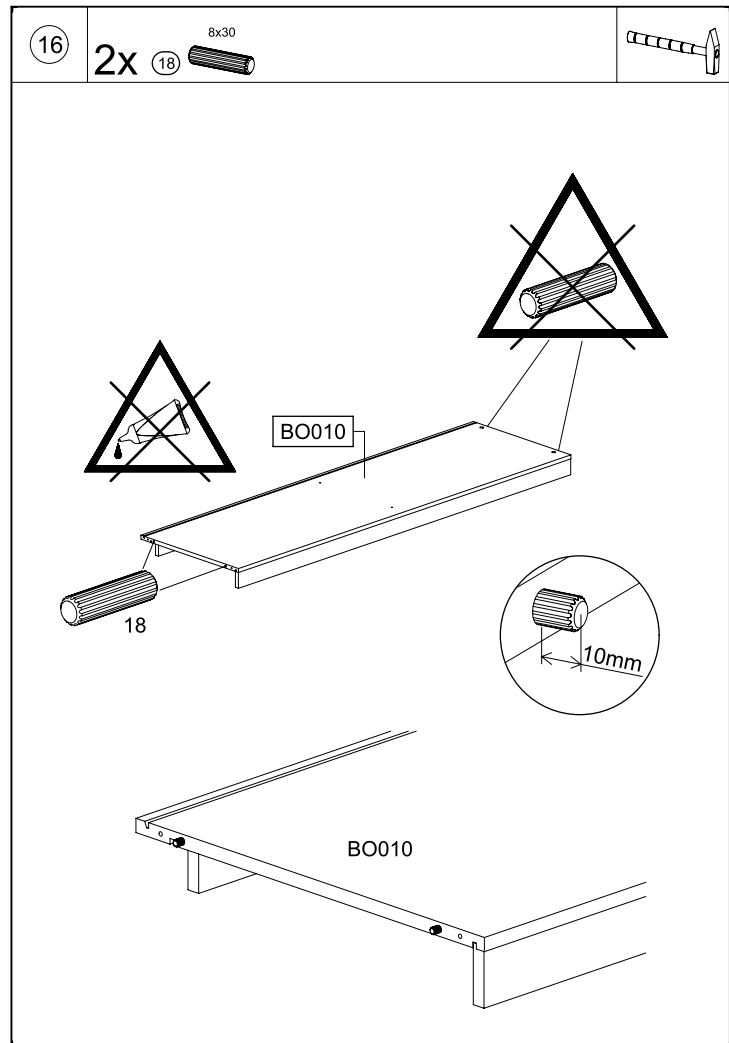
M2935



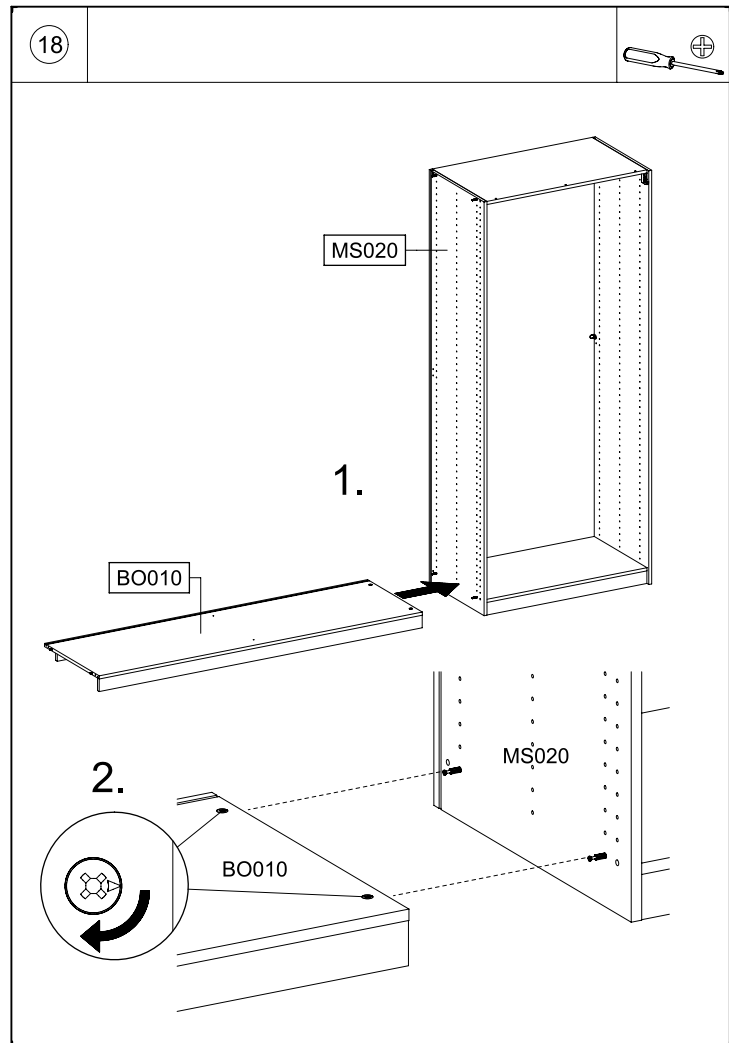
M2935



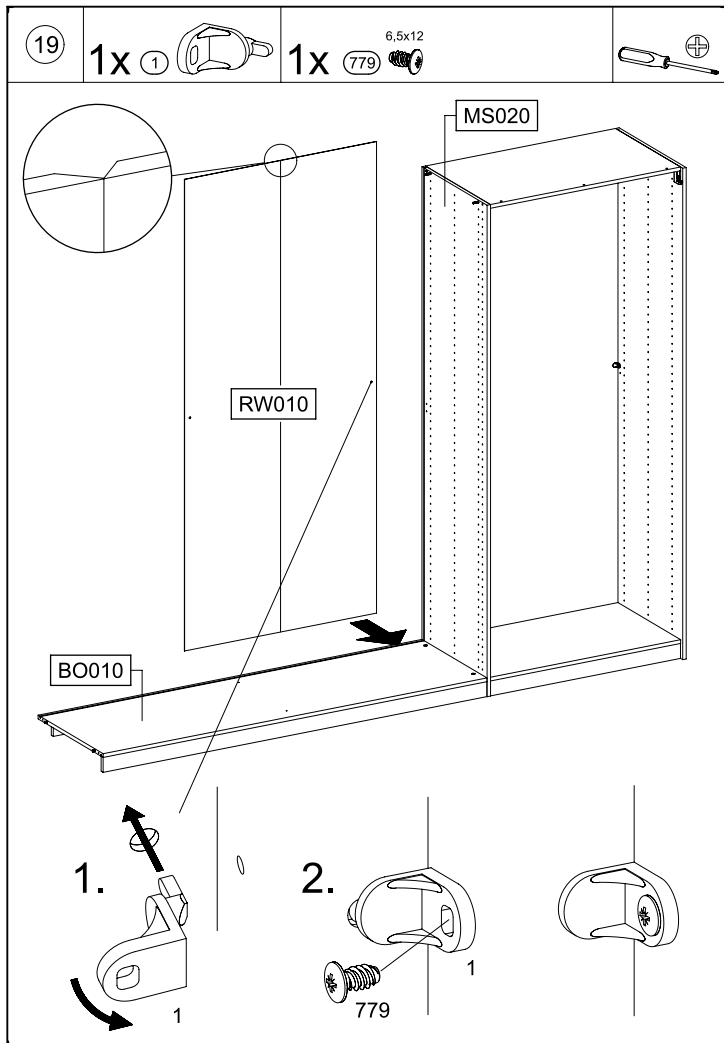
M2935



M2935

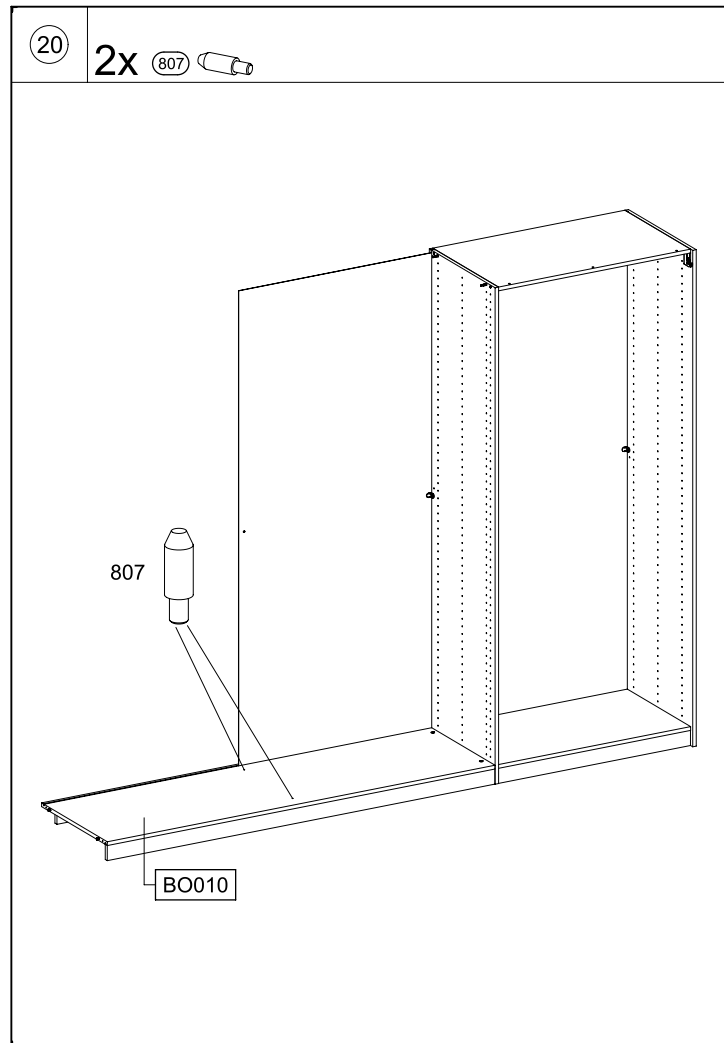


M2935



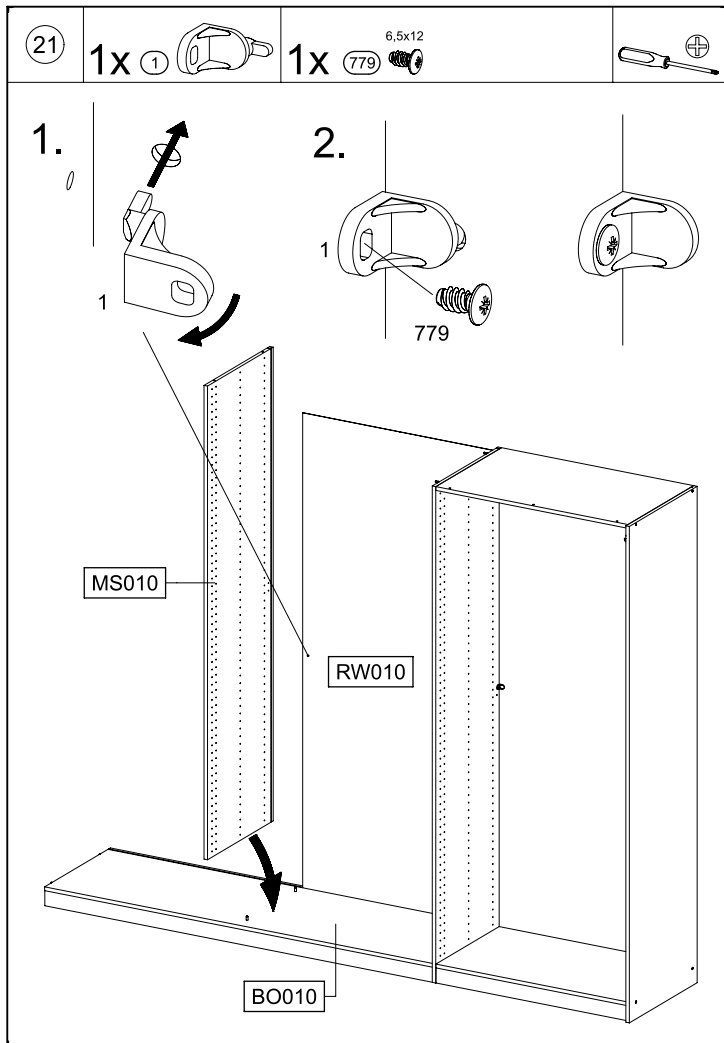
M2935

31.

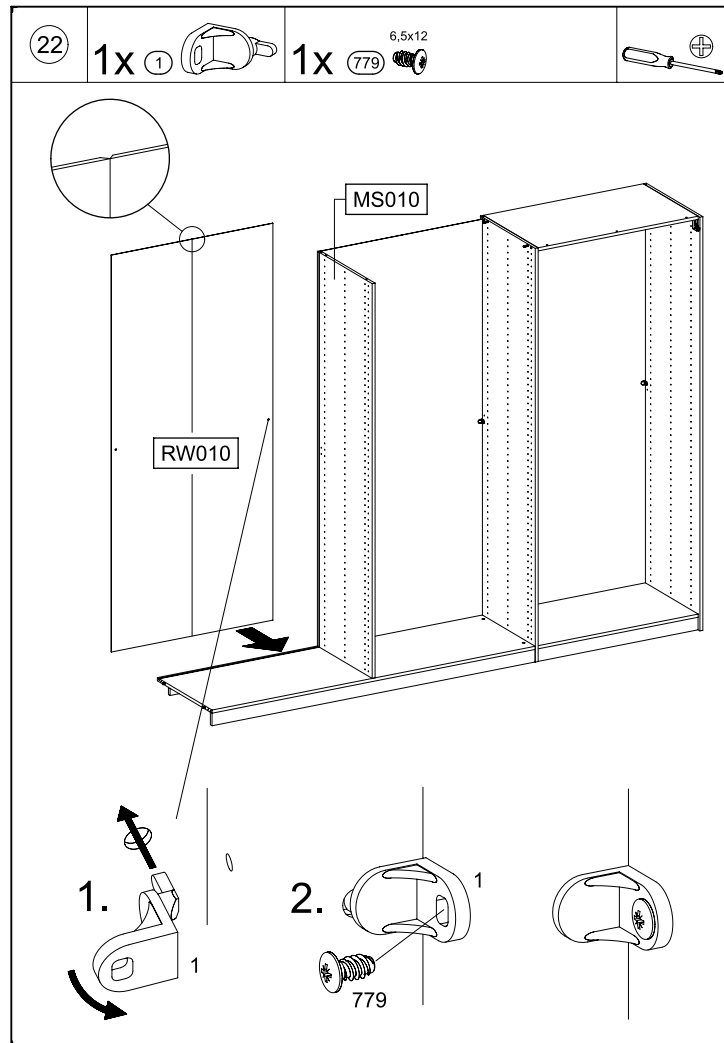


M2935

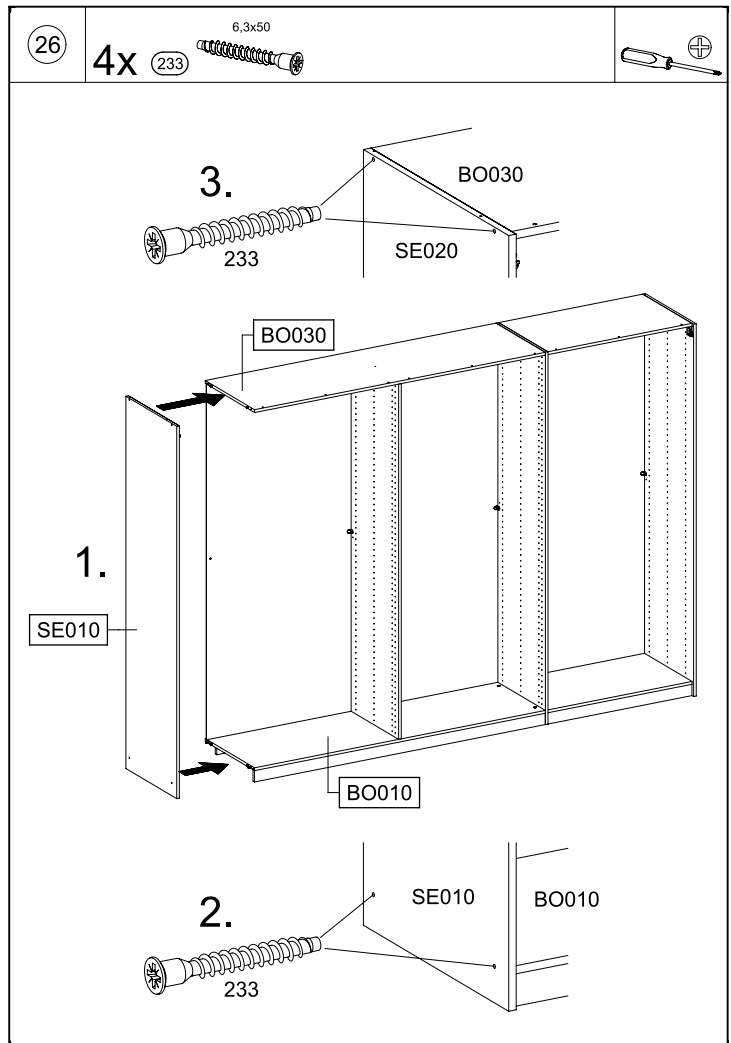
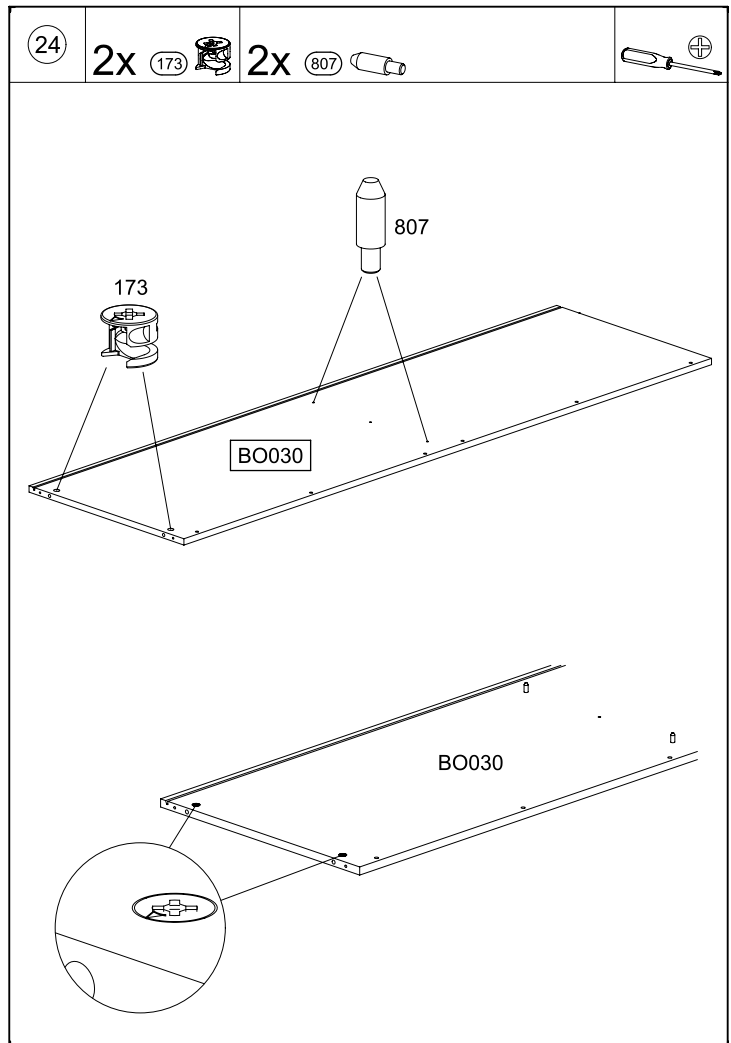
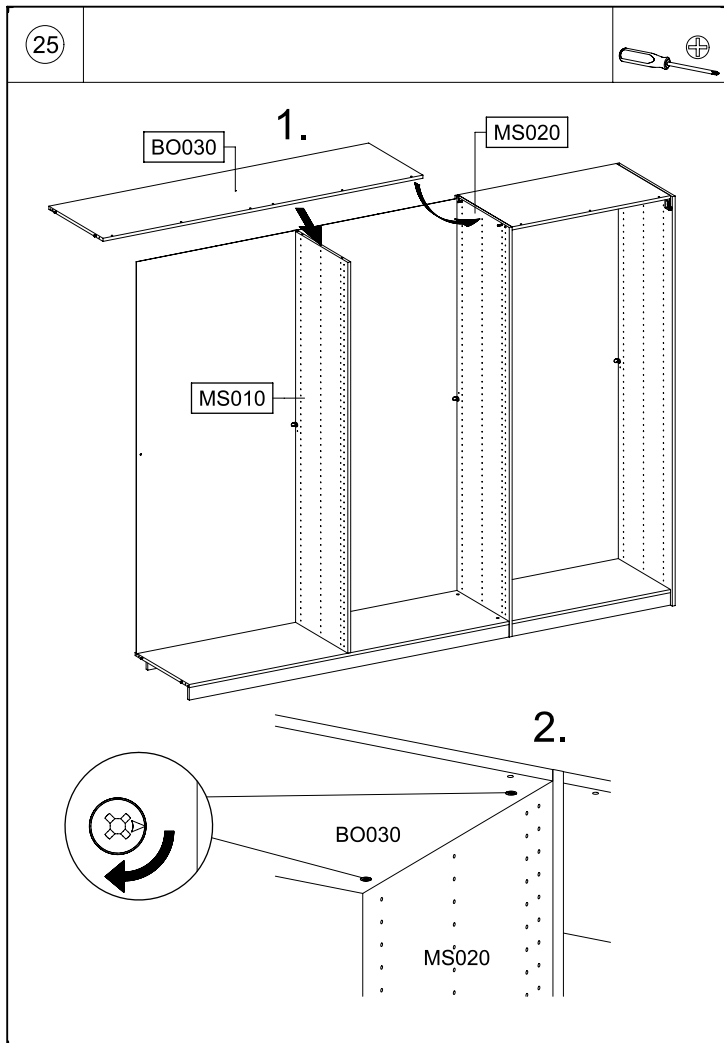
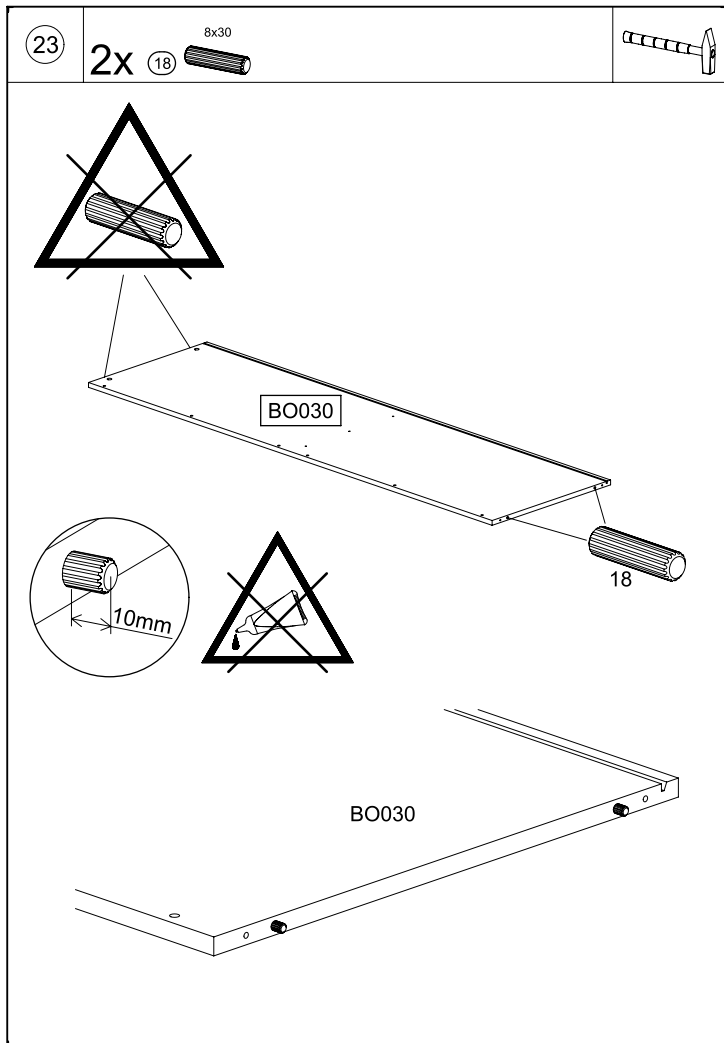
32.

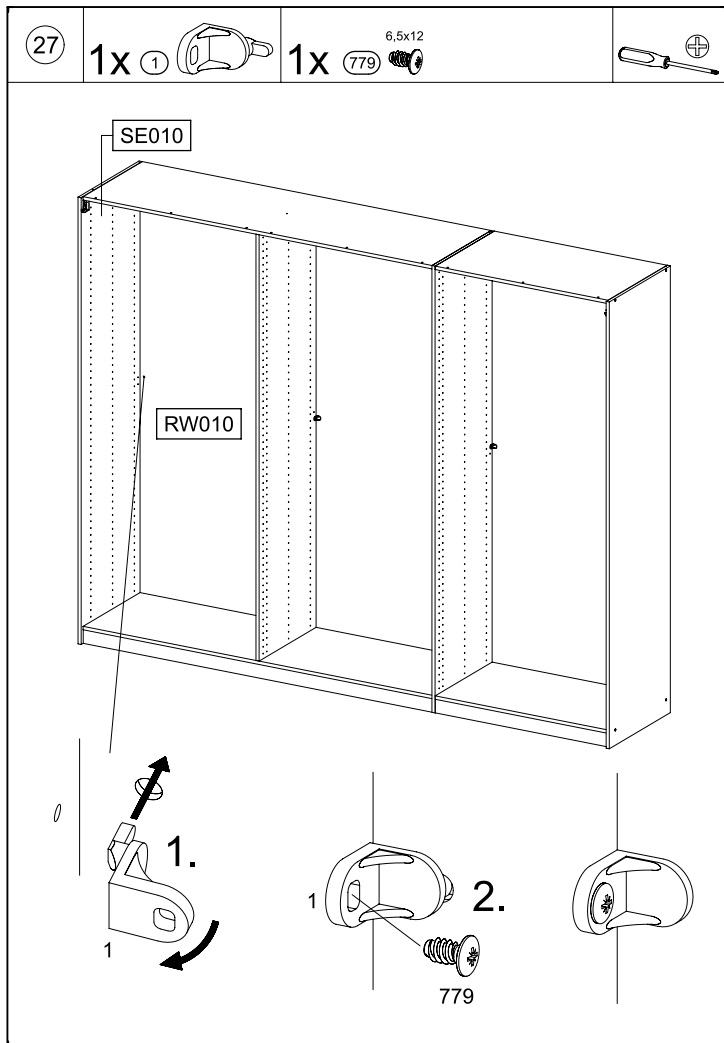


M2935

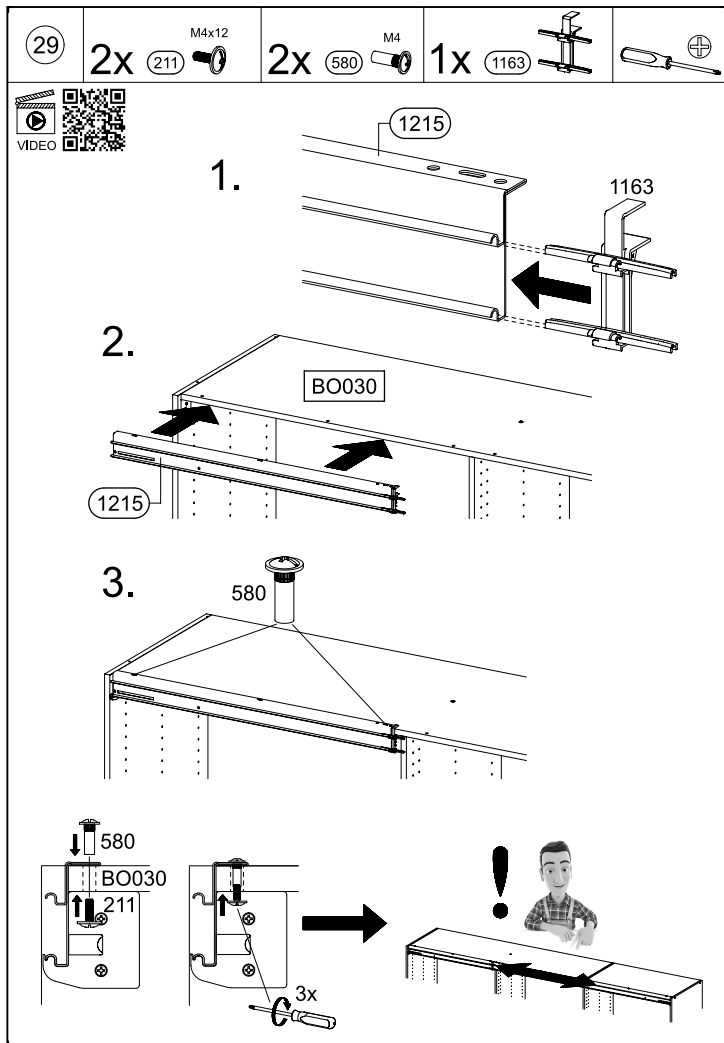


M2935

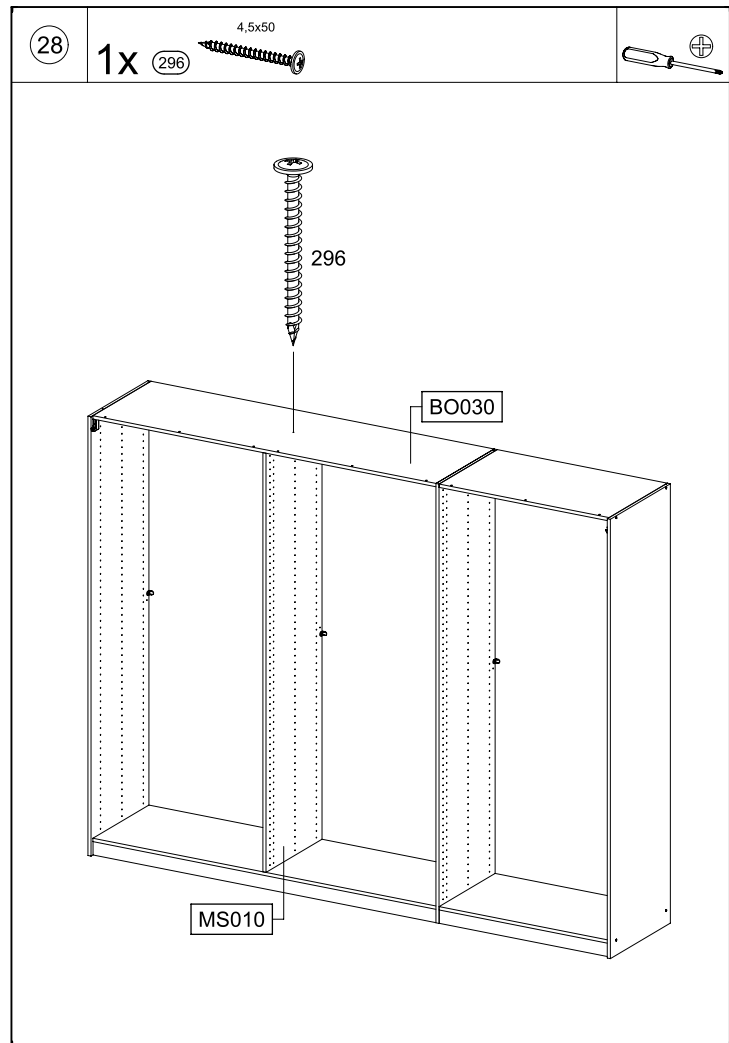




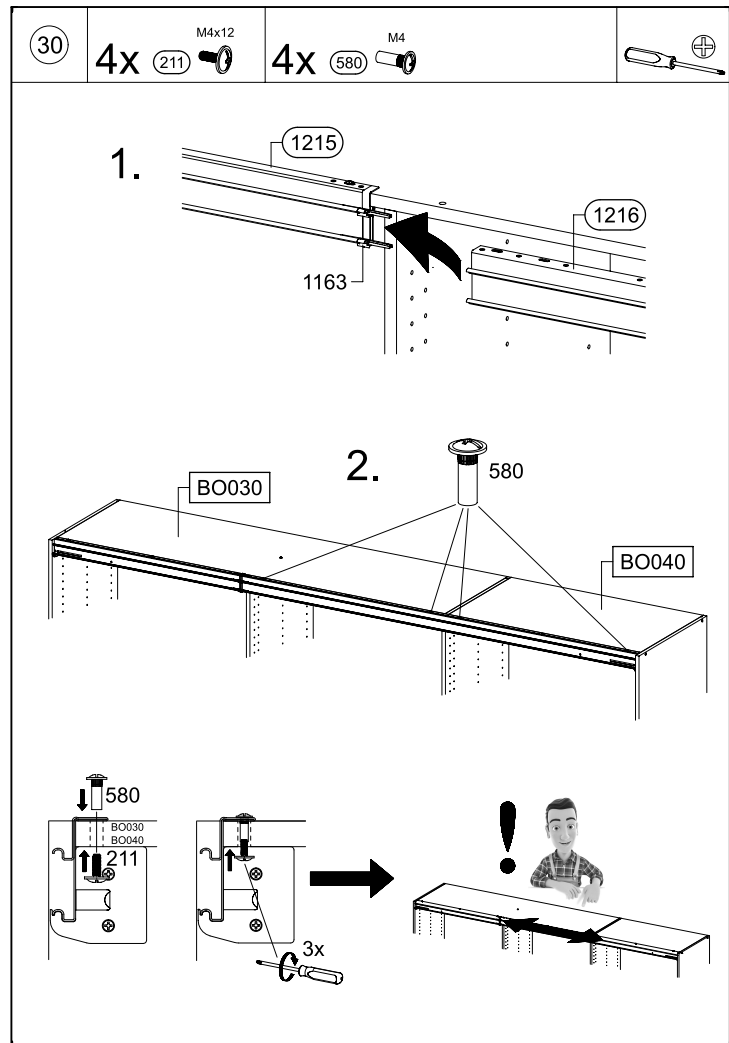
M2835



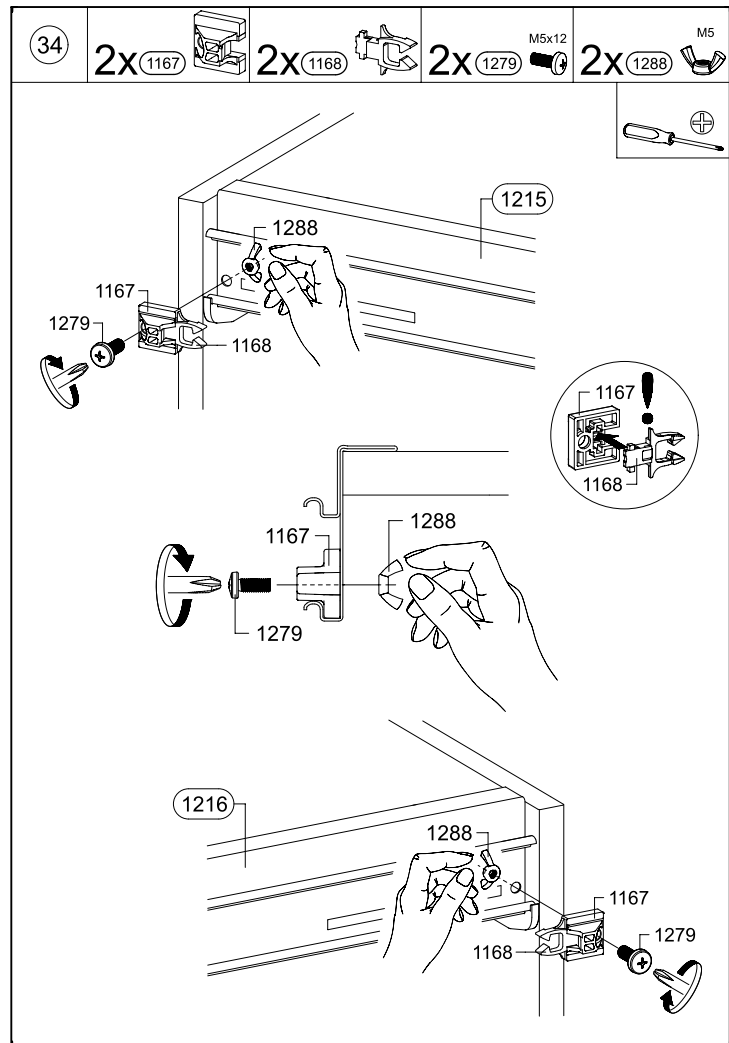
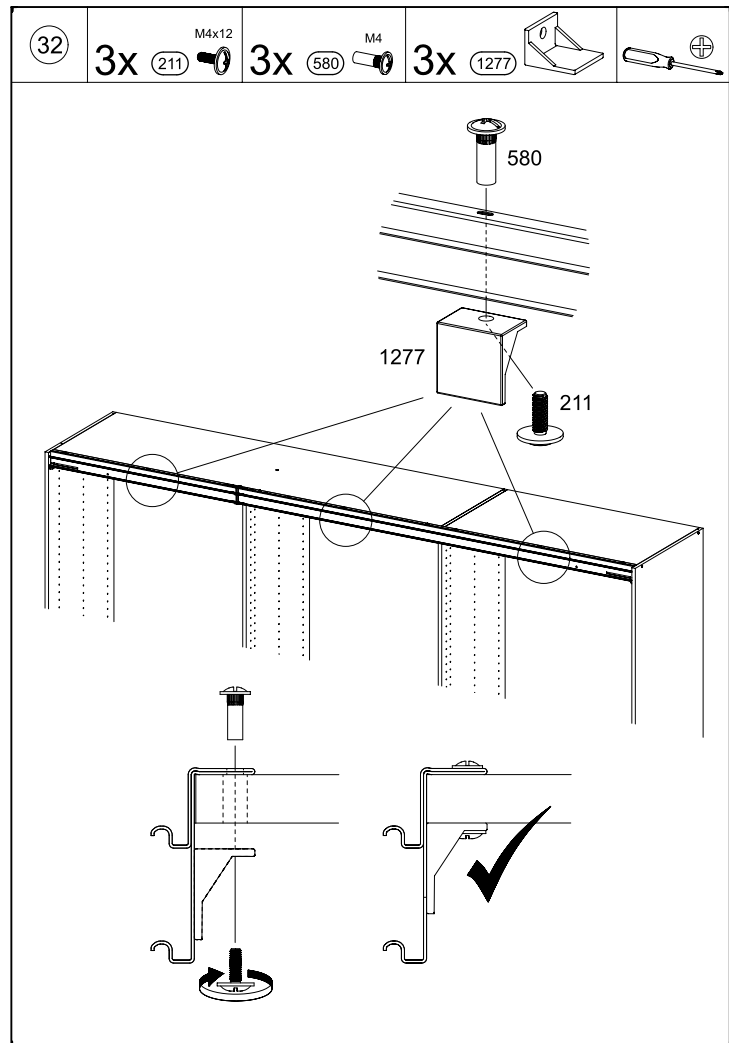
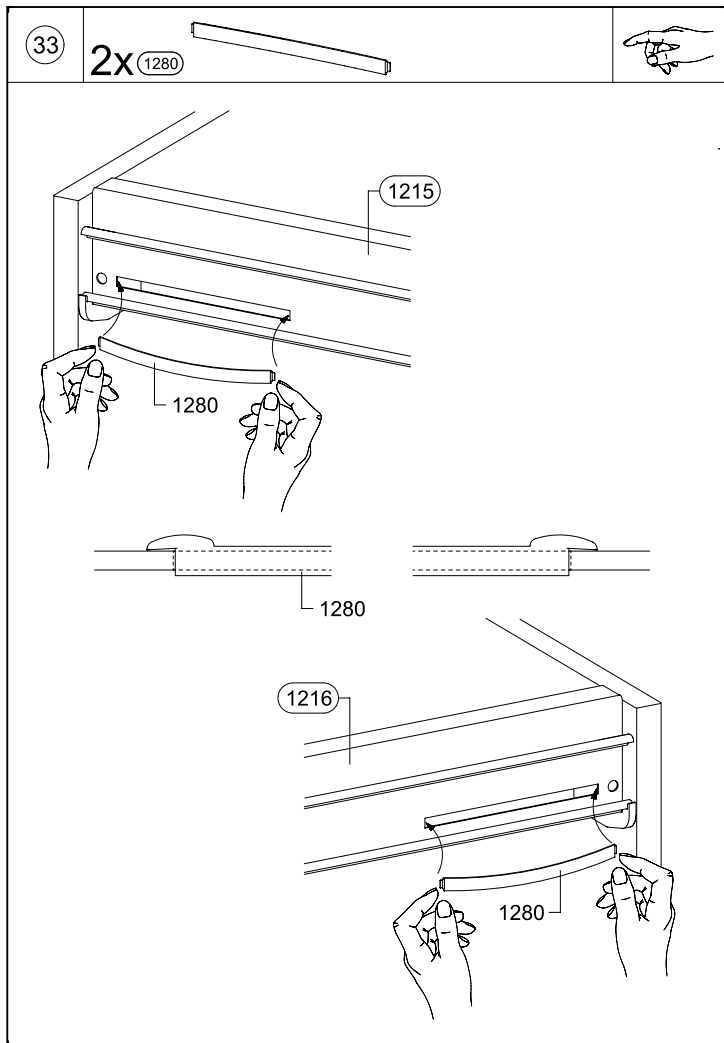
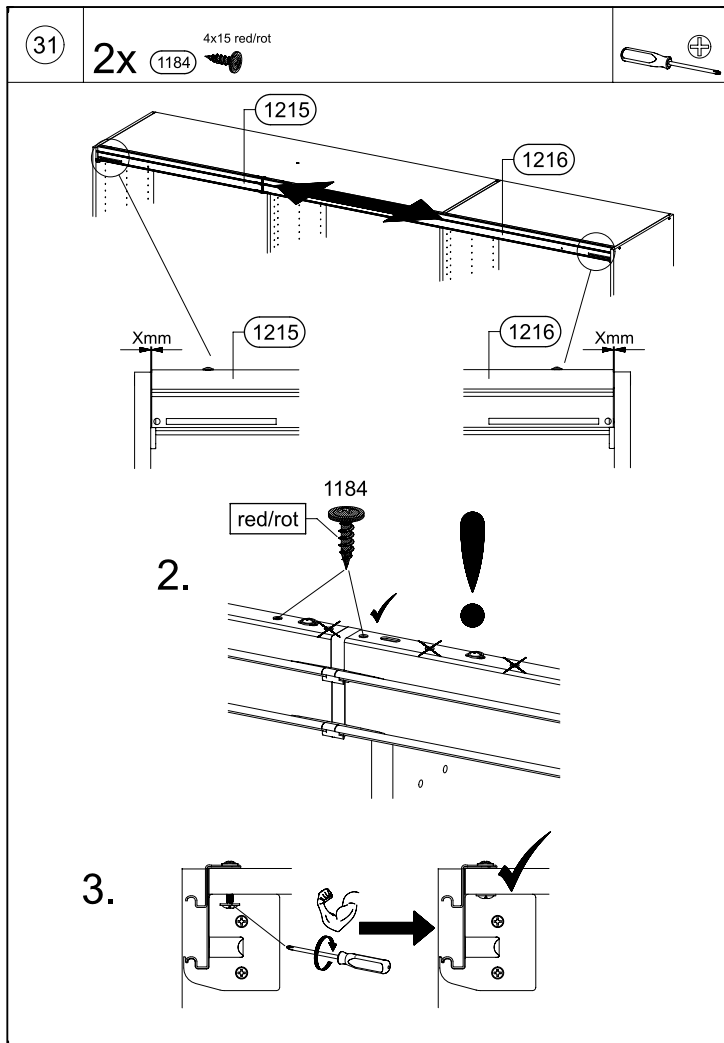
M2835

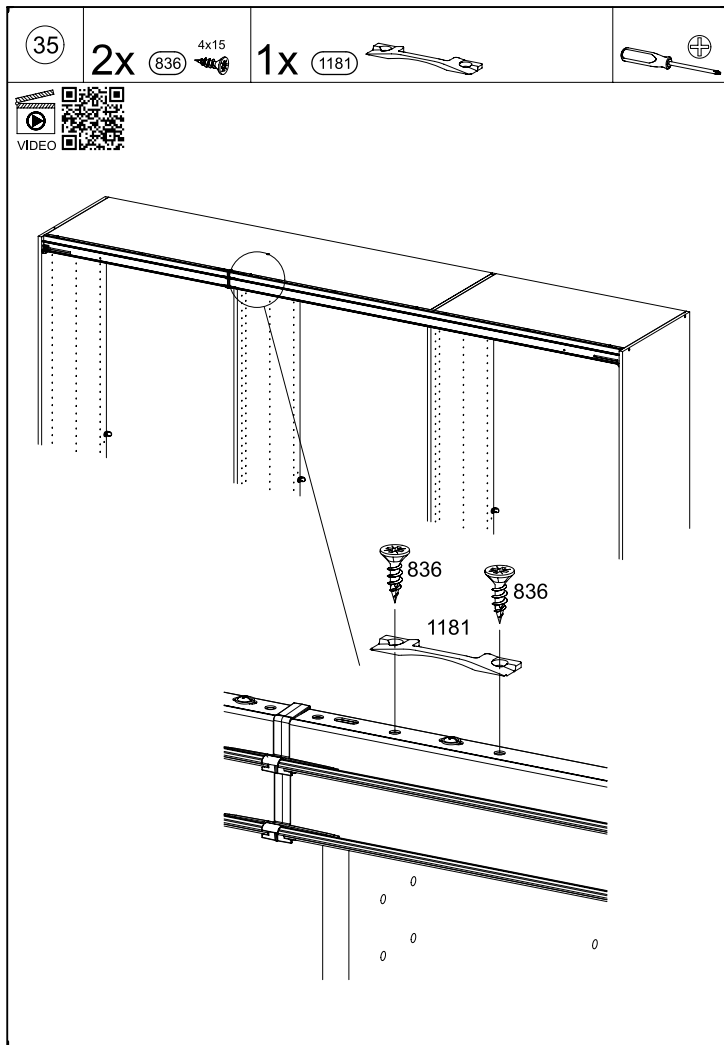


M2835

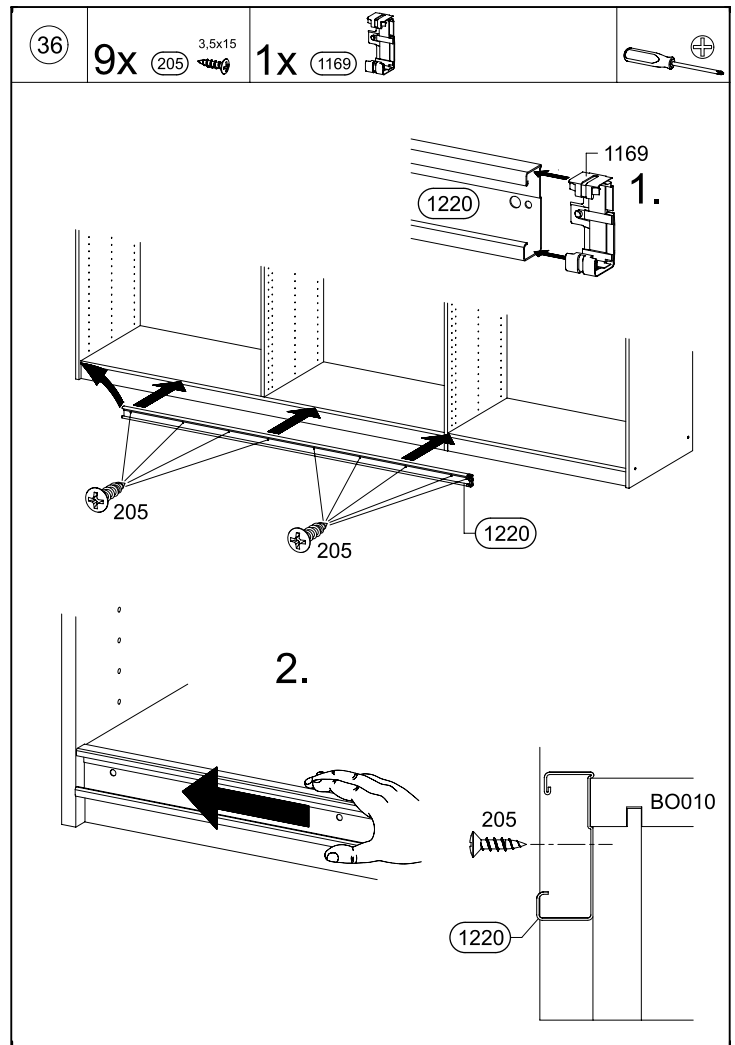


M2835

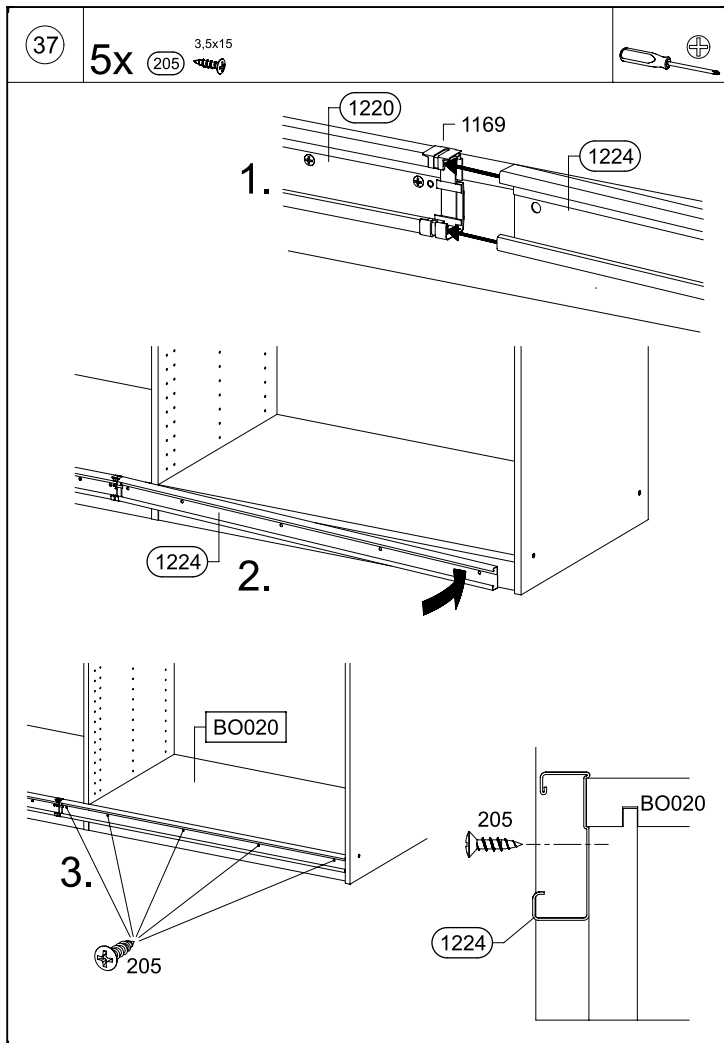




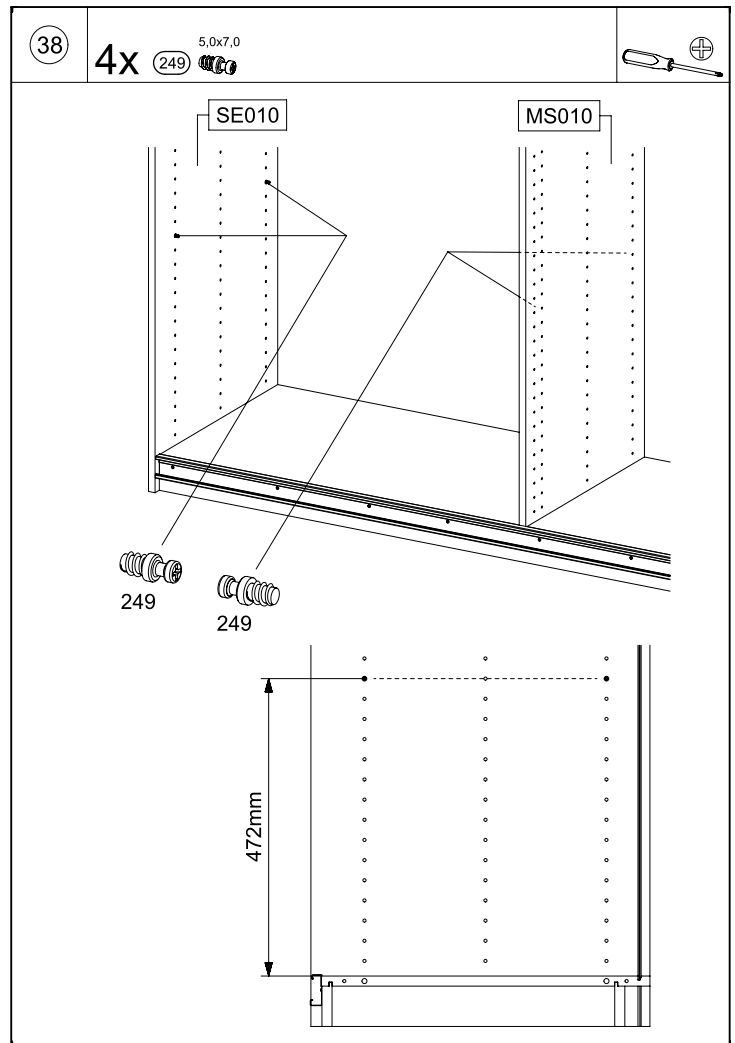
M2835



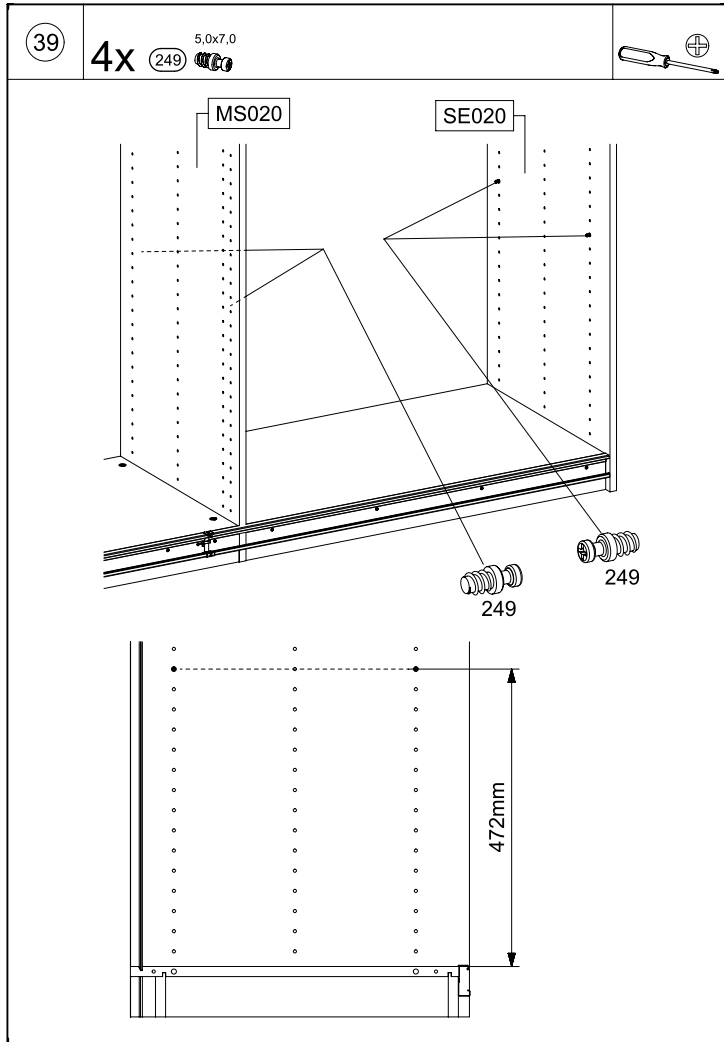
M2835



M2835

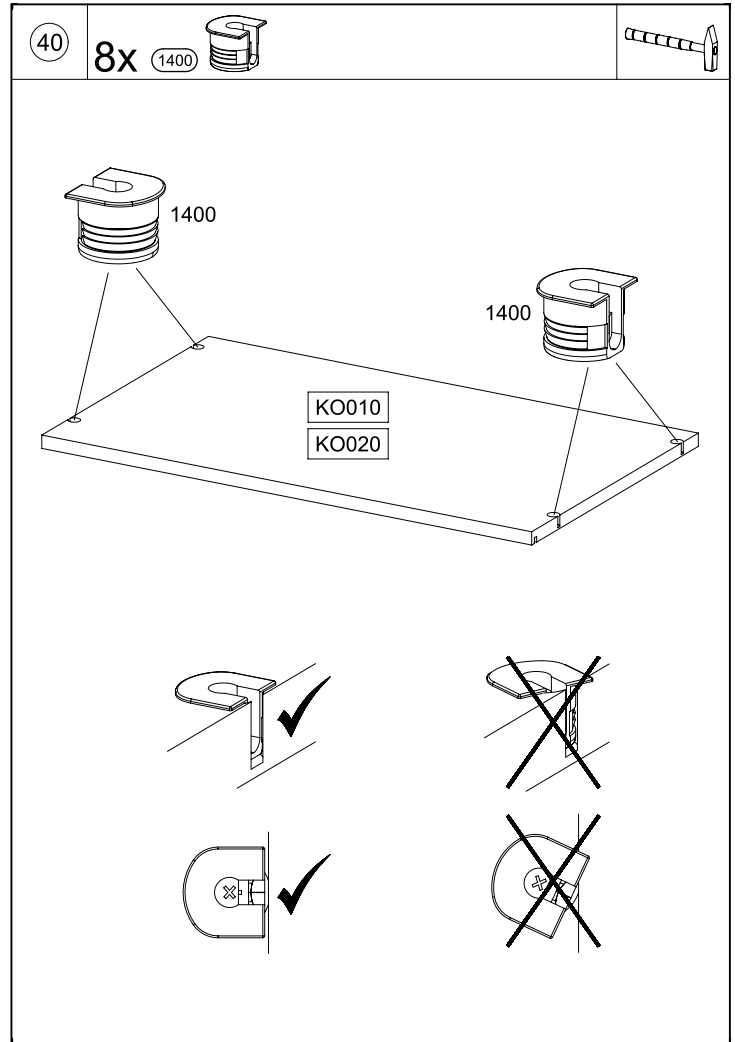


M2835



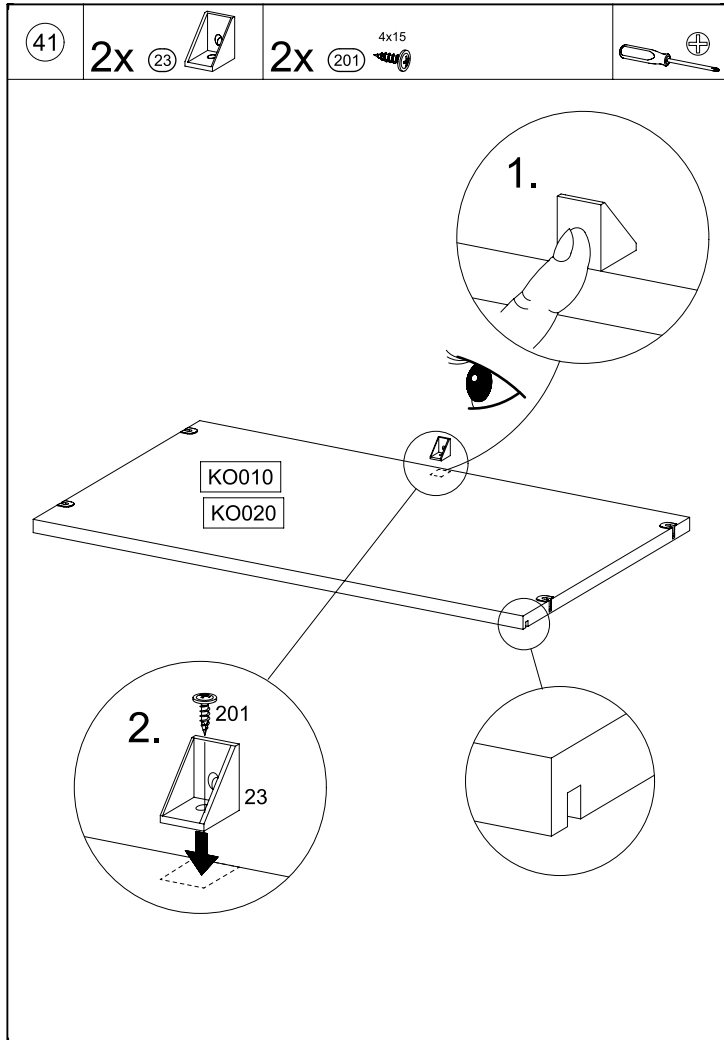
M2935

51.

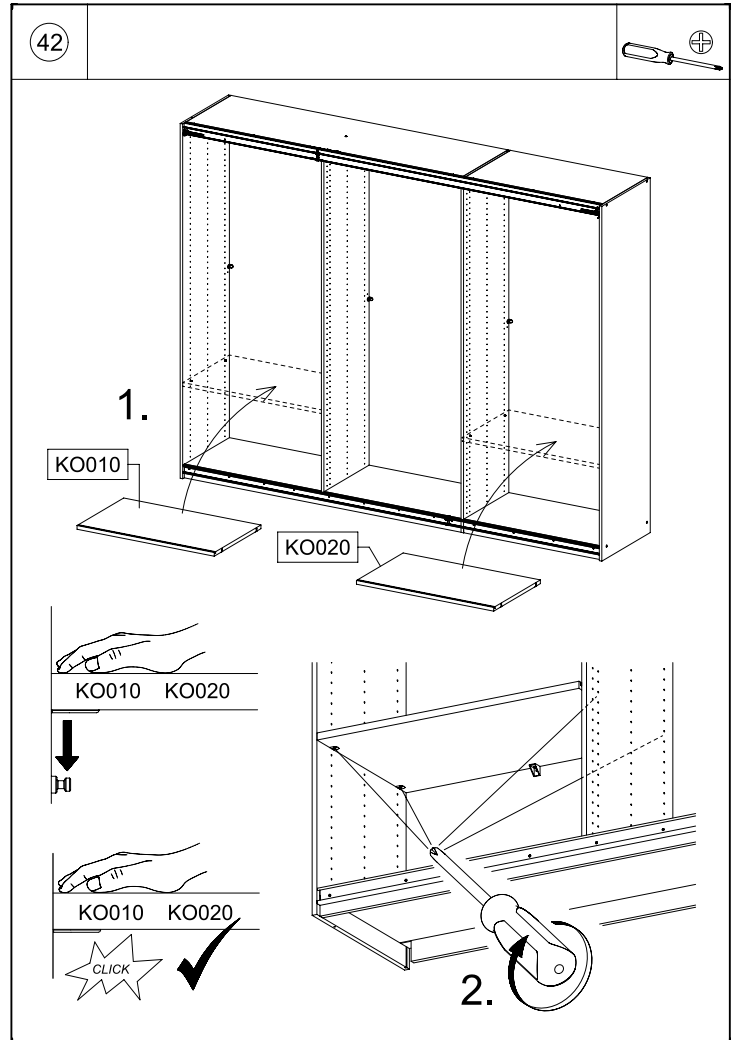


M2935

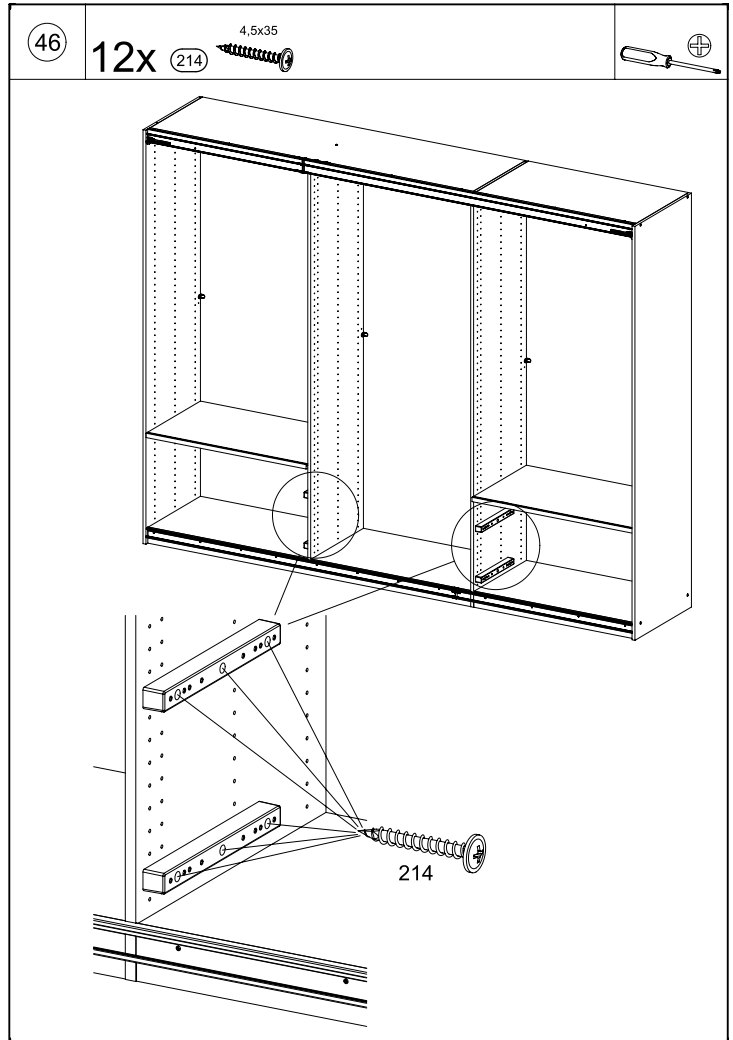
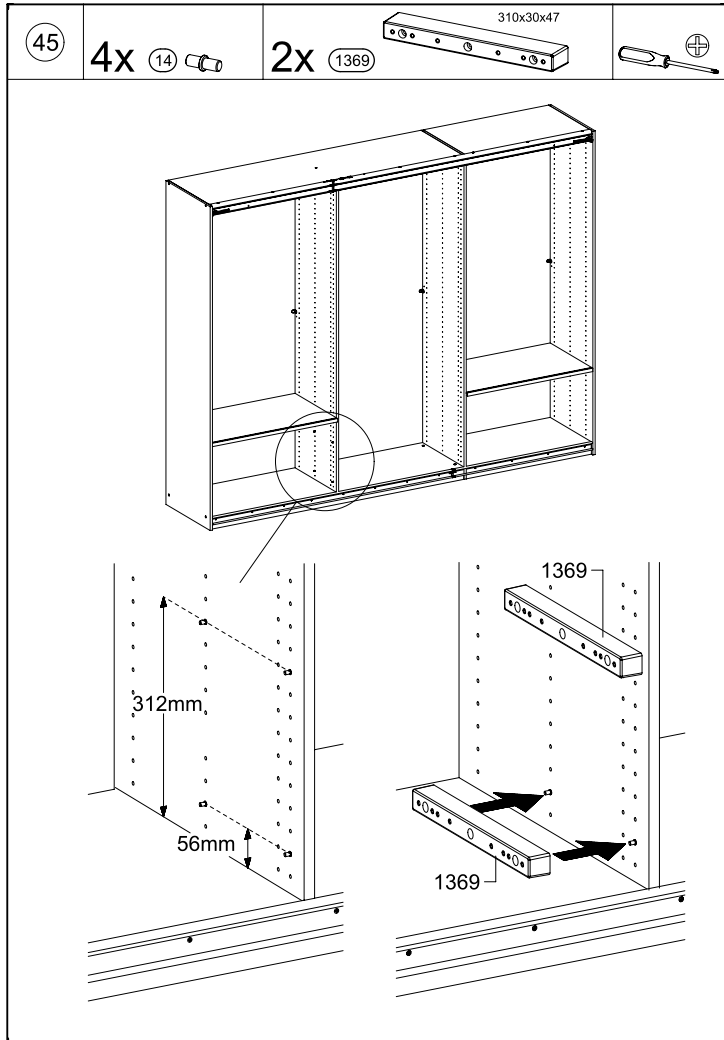
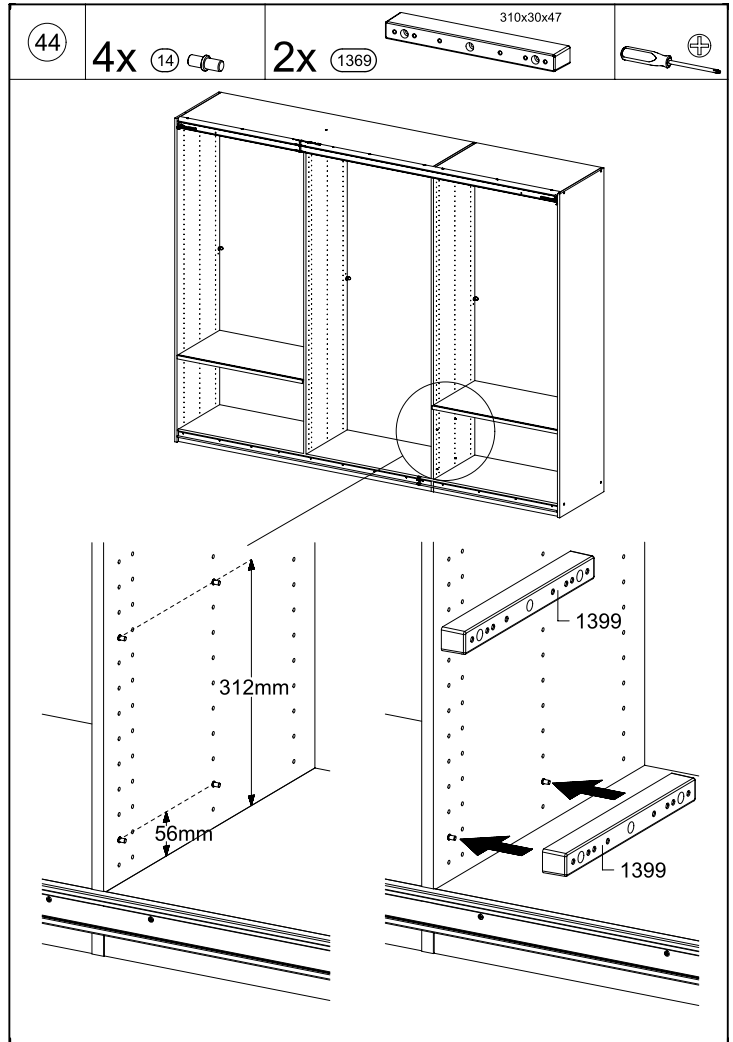
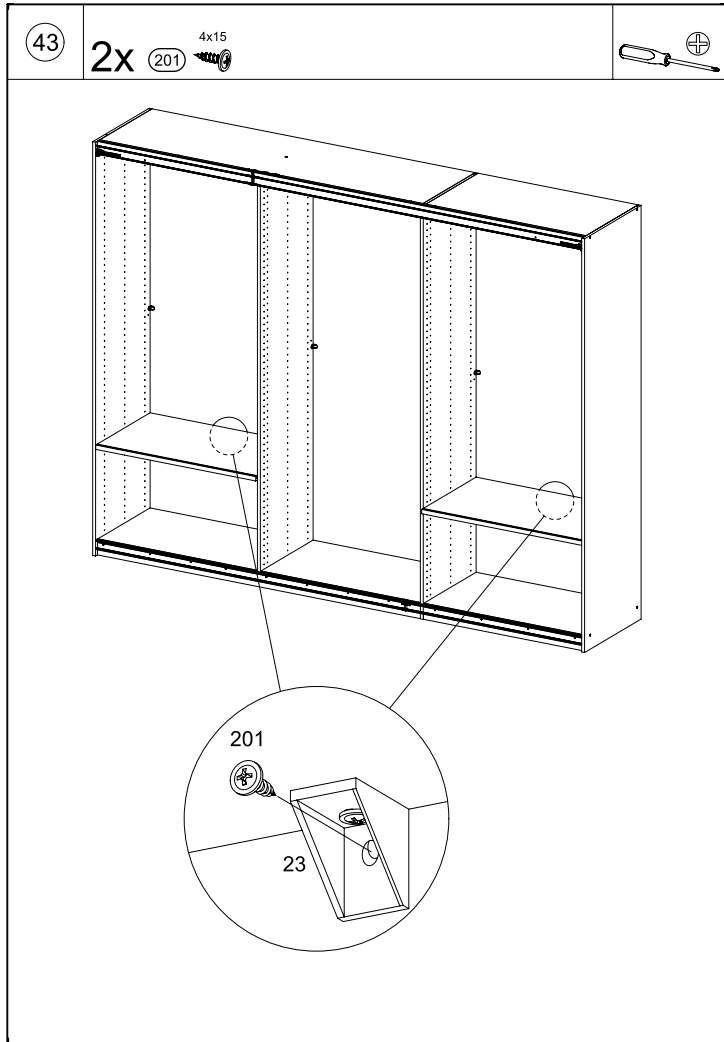
52.

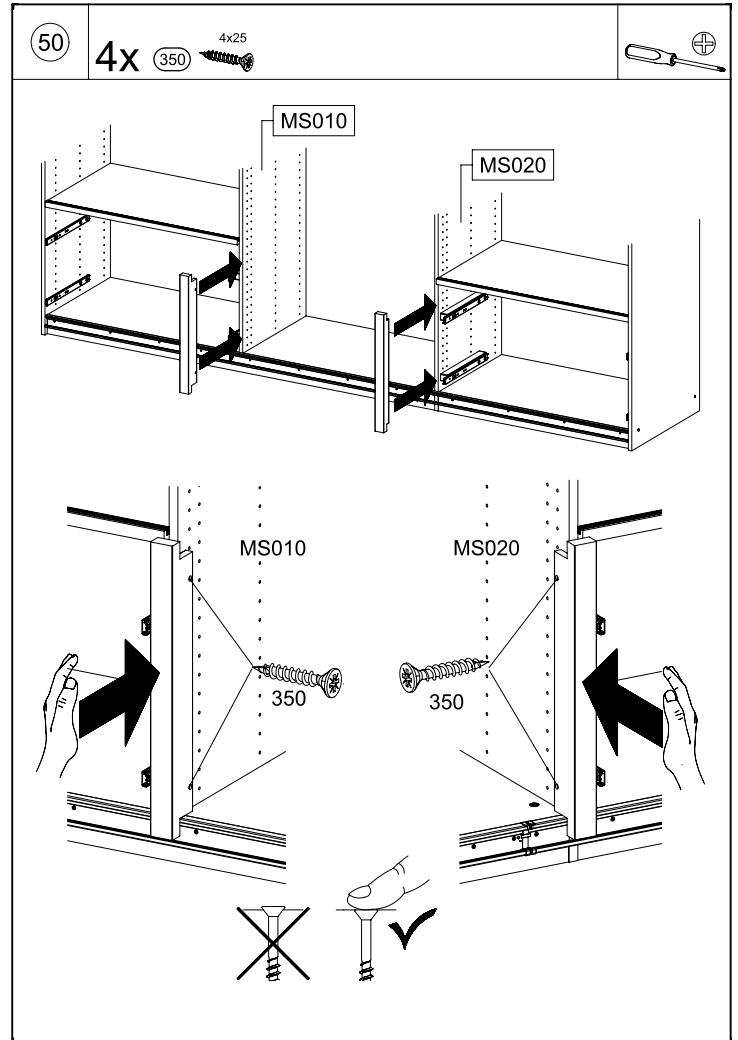
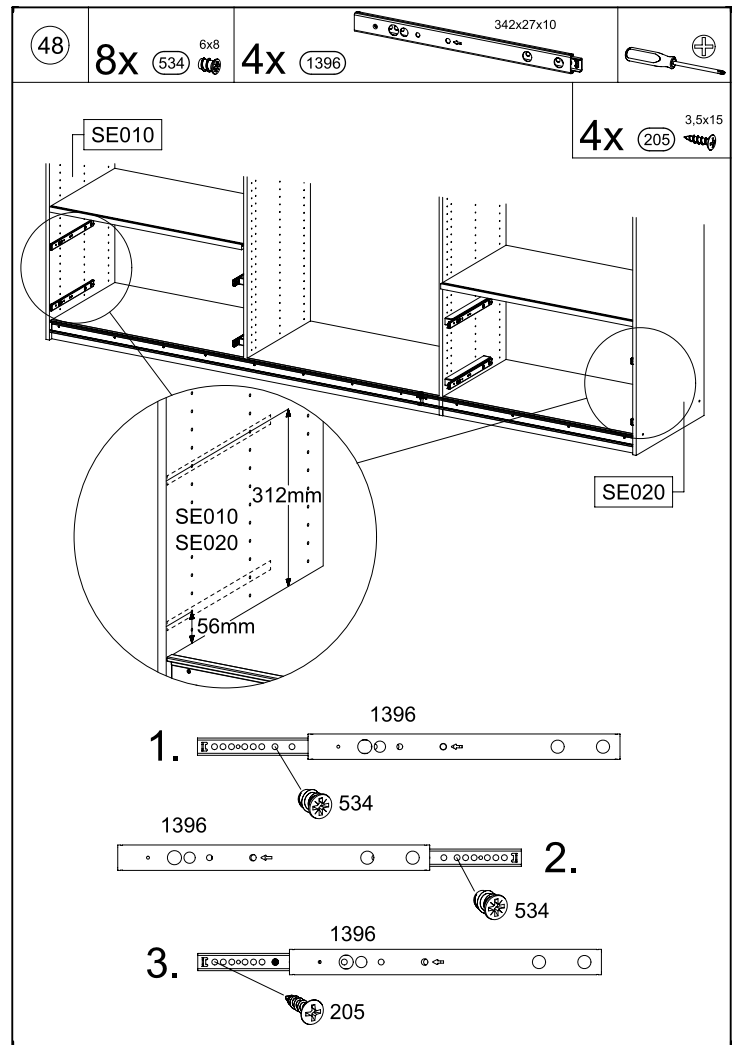
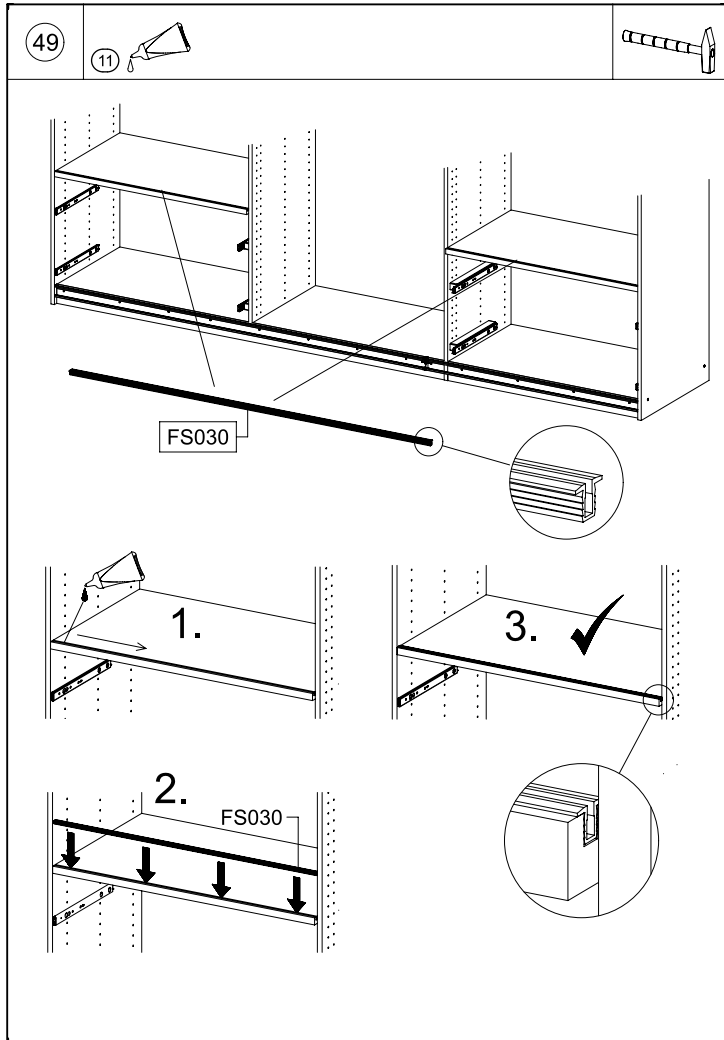
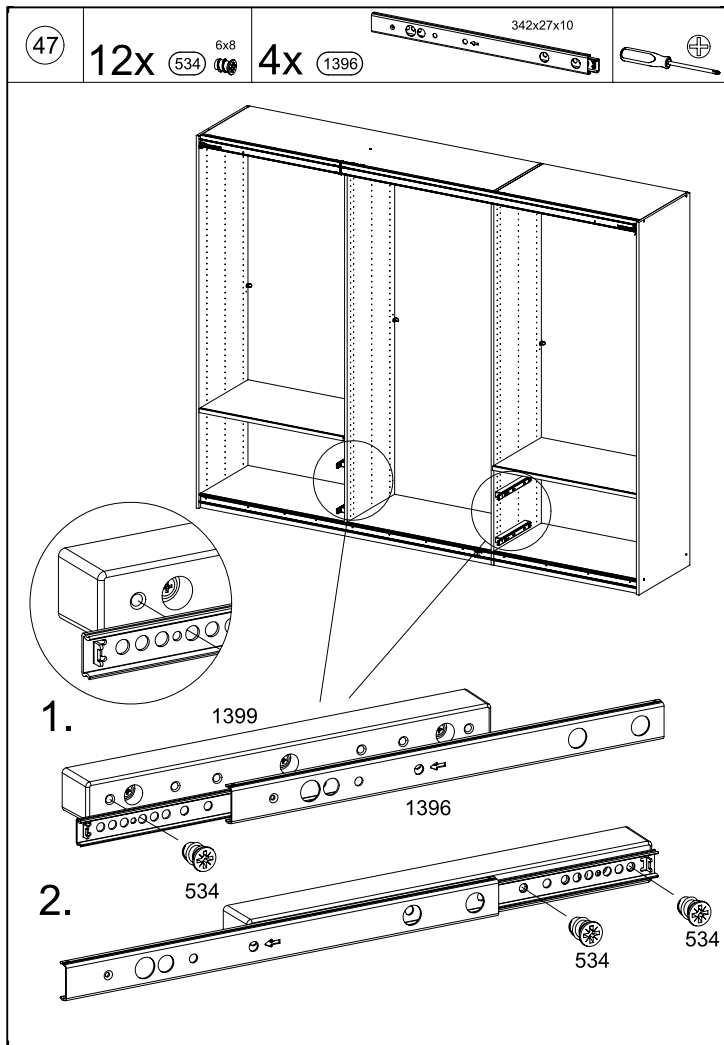


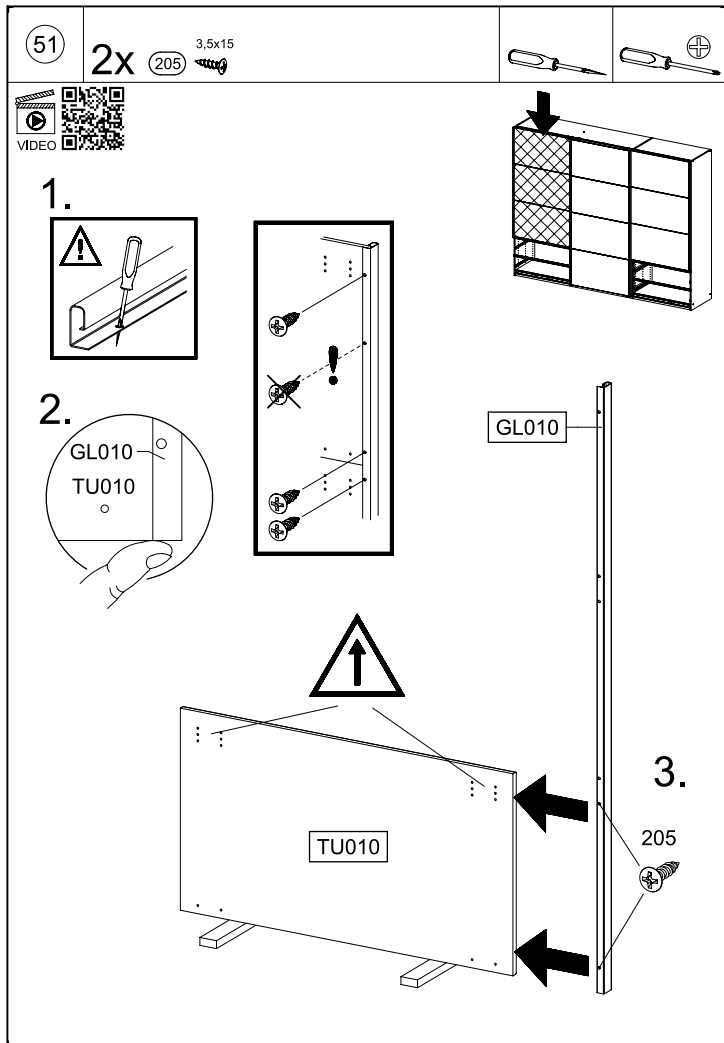
M2935



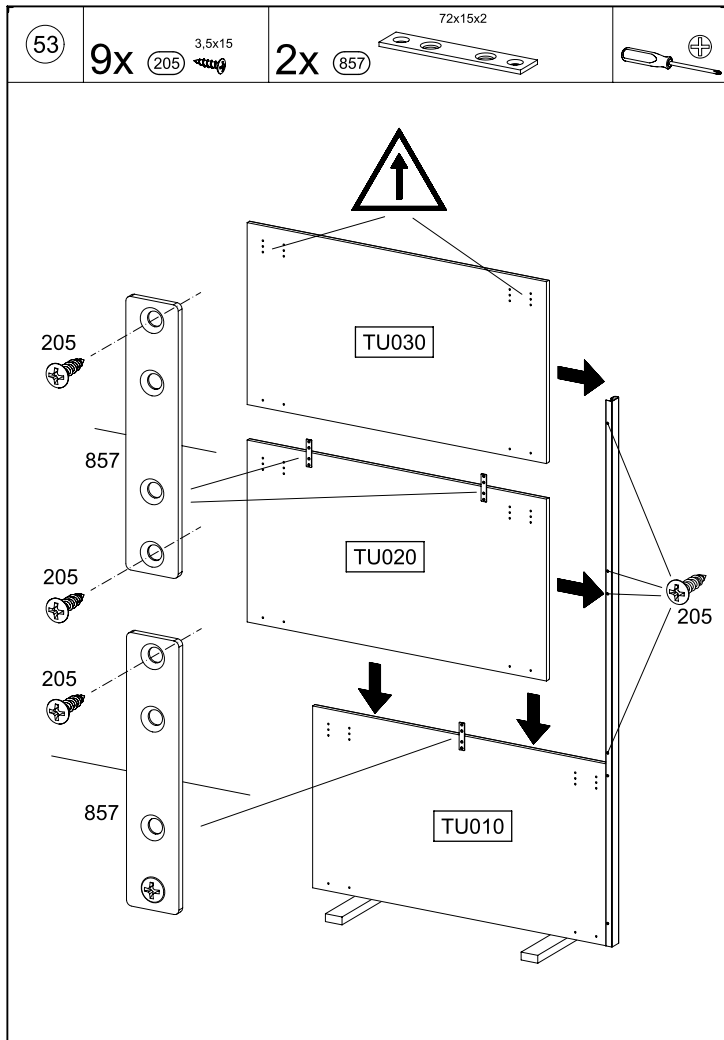
M2935



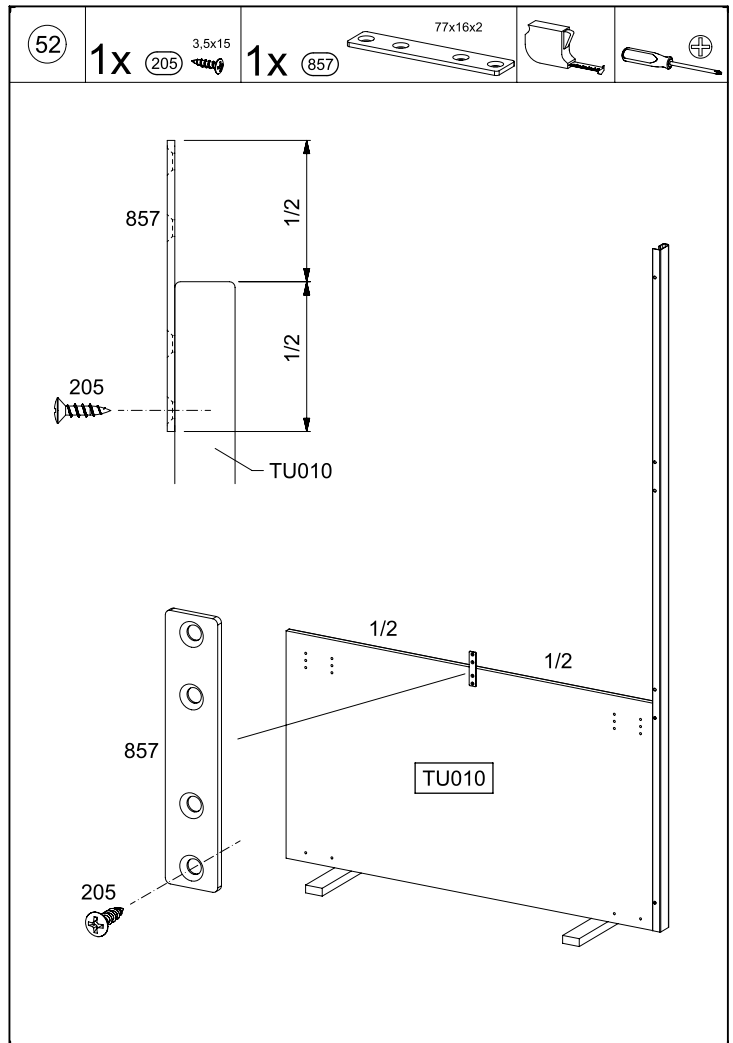




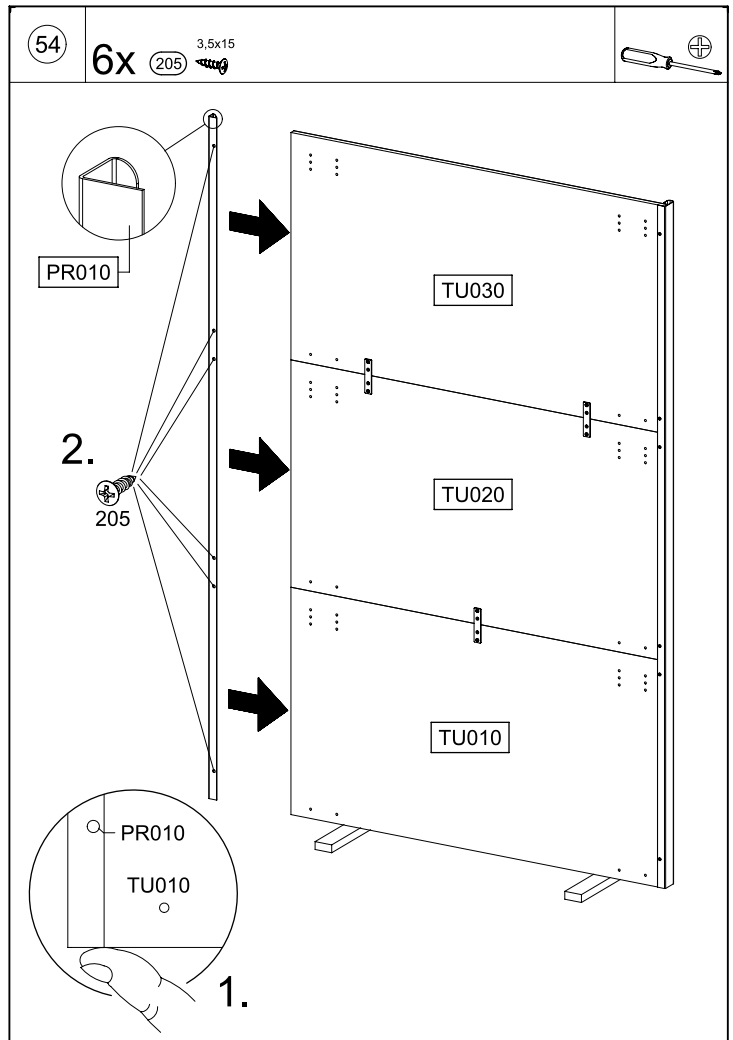
M2935



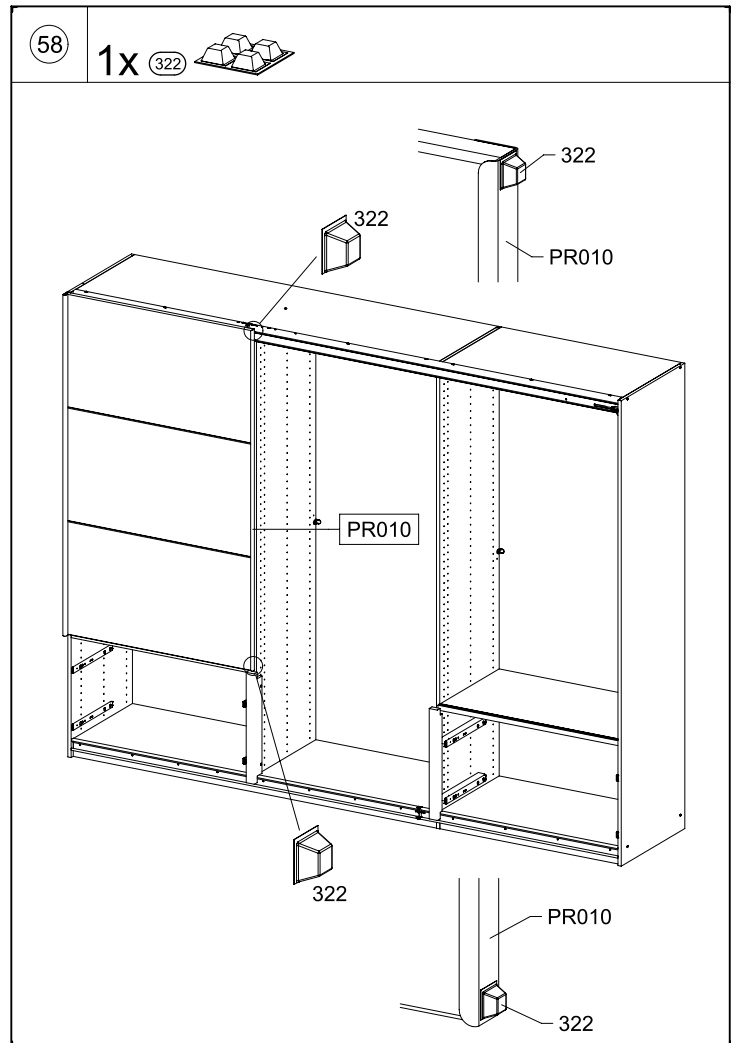
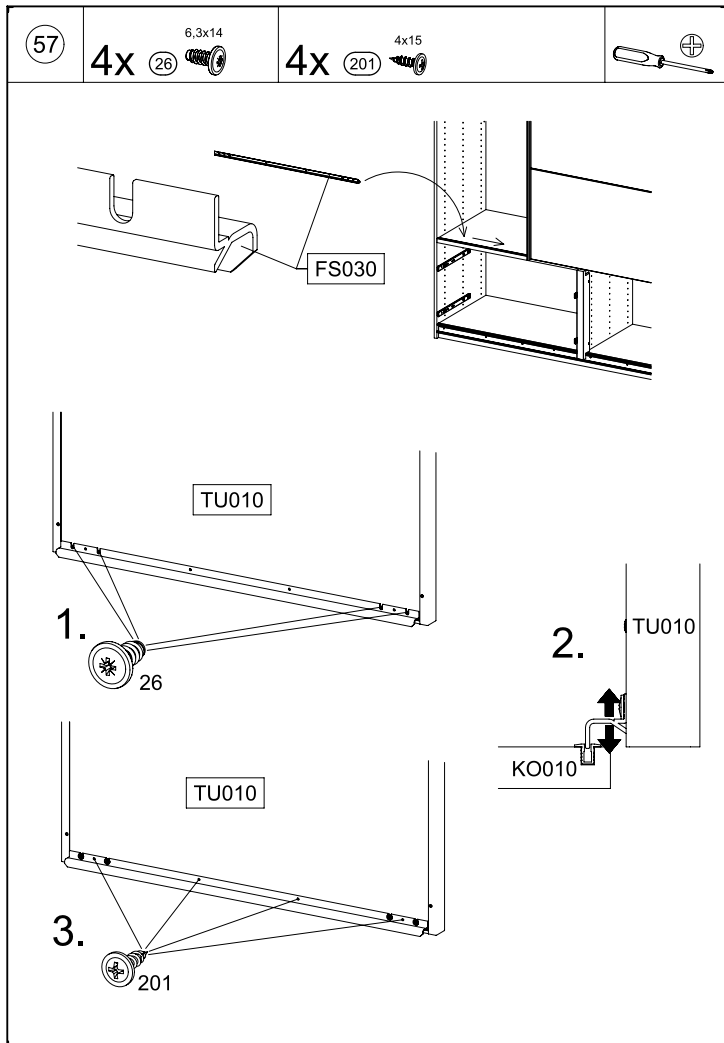
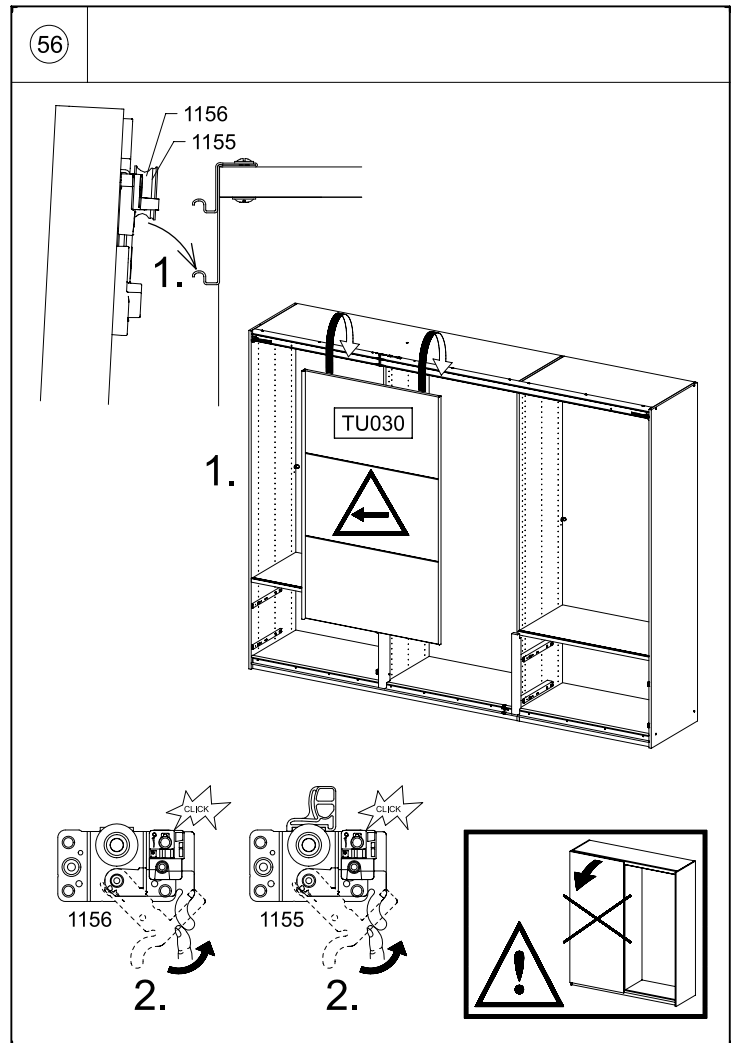
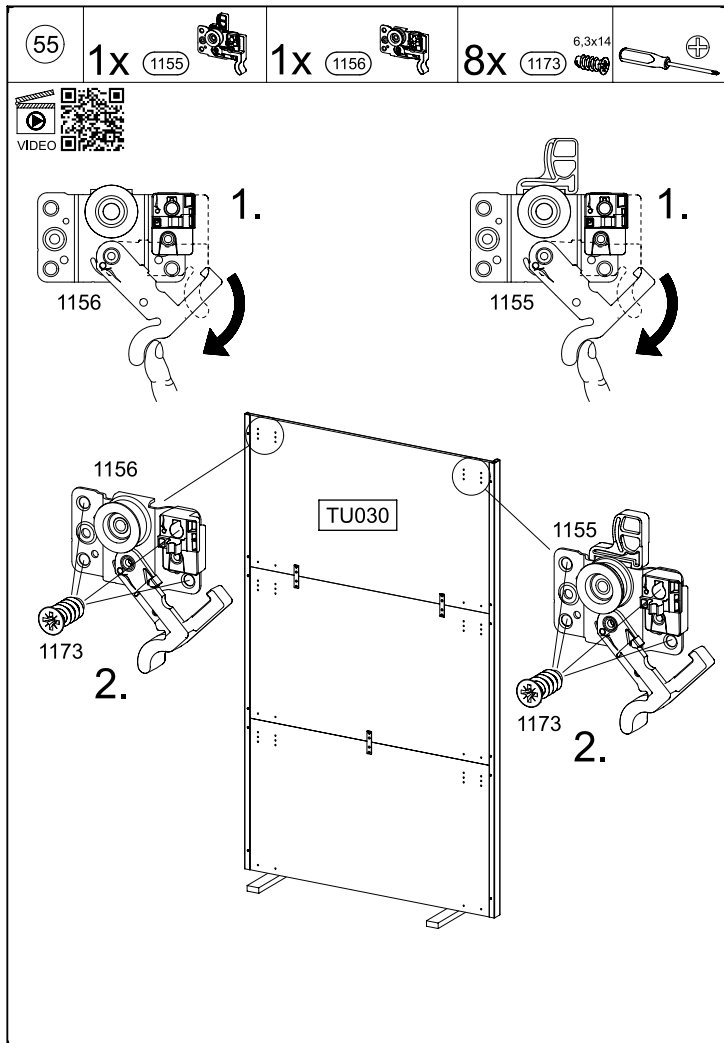
M2935

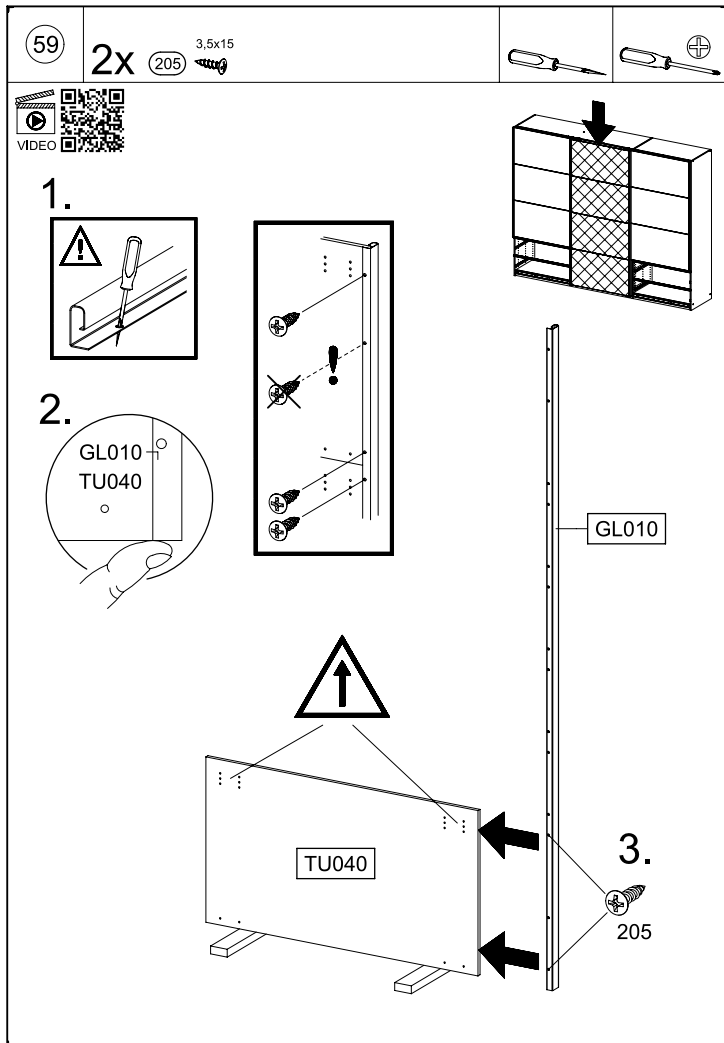


M2935

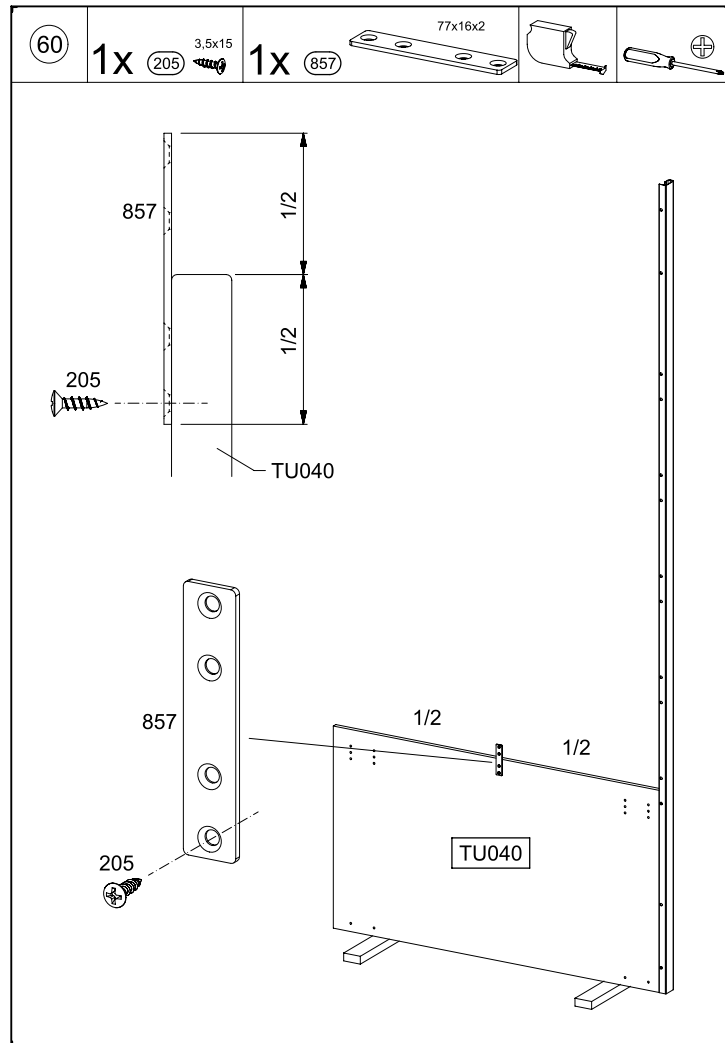


M2935

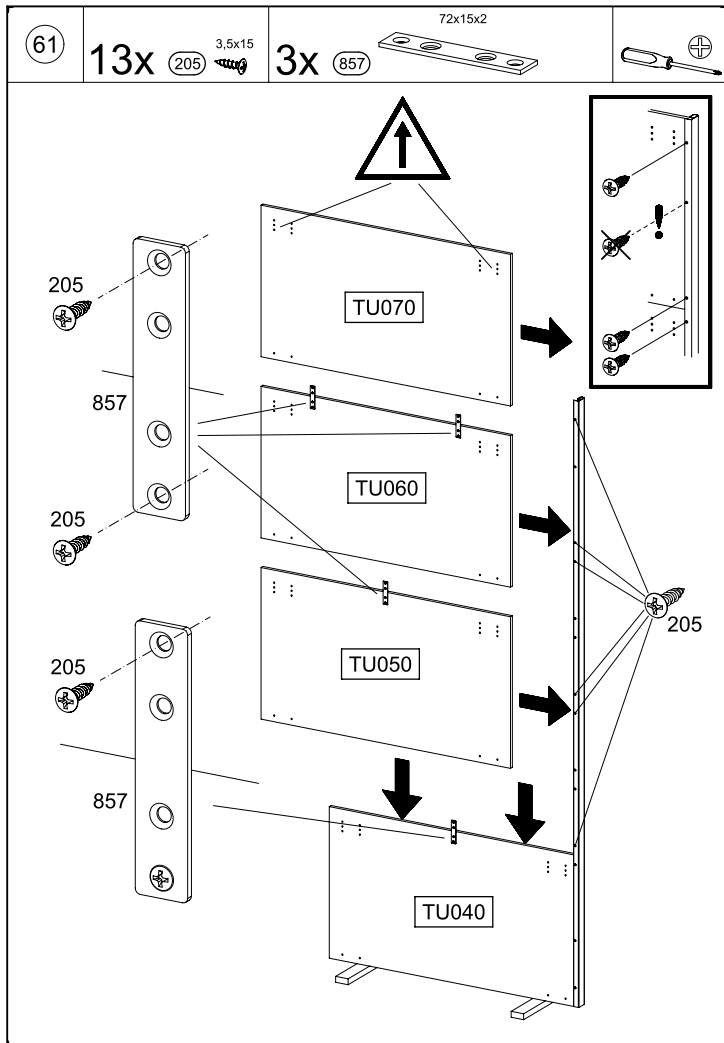




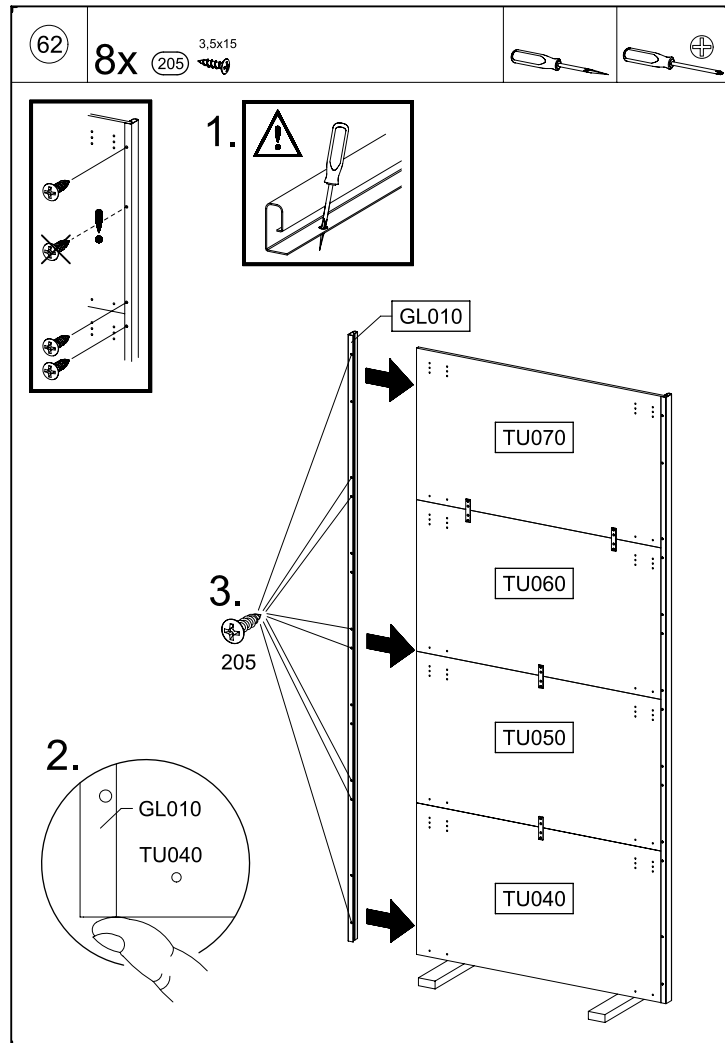
M2935



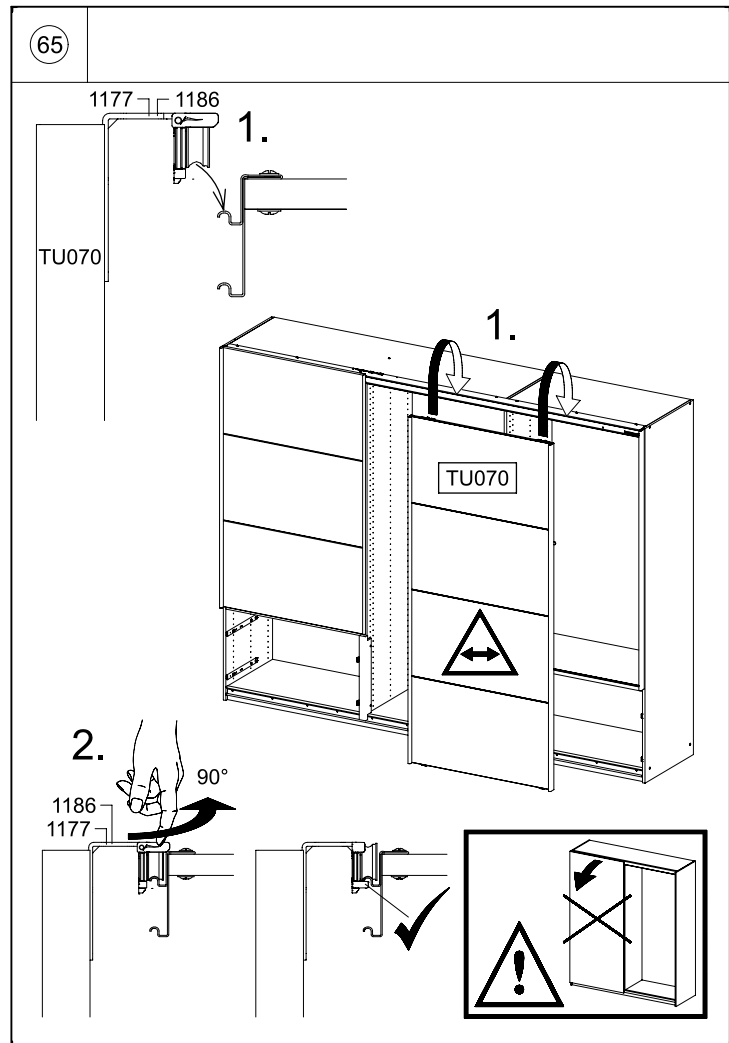
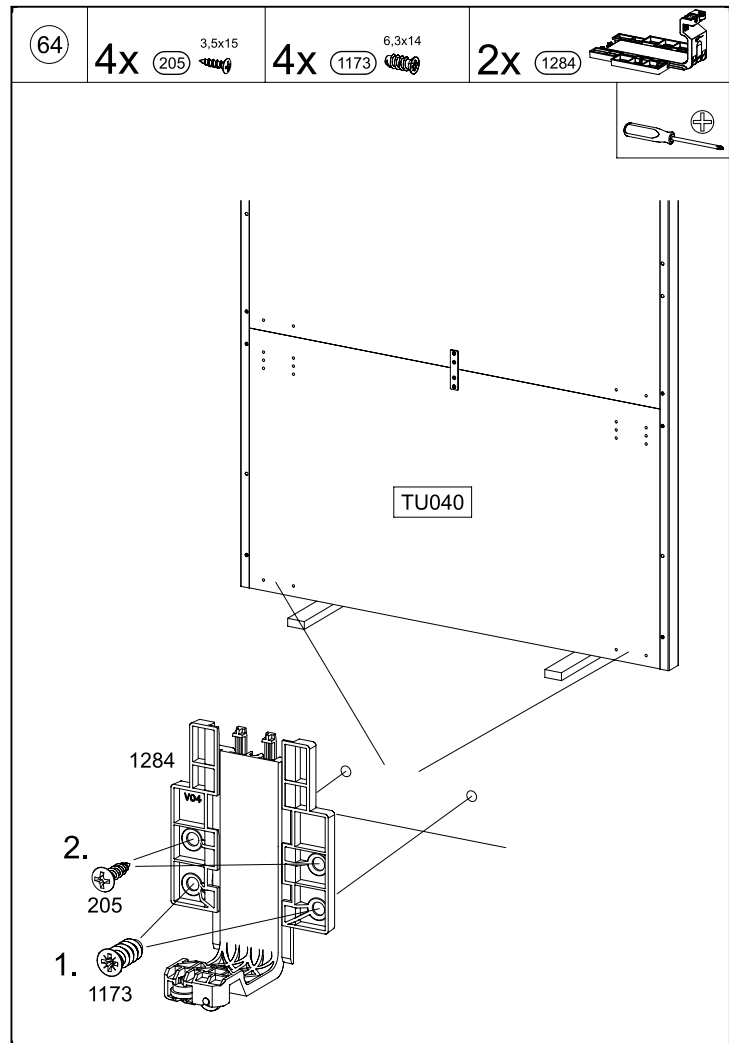
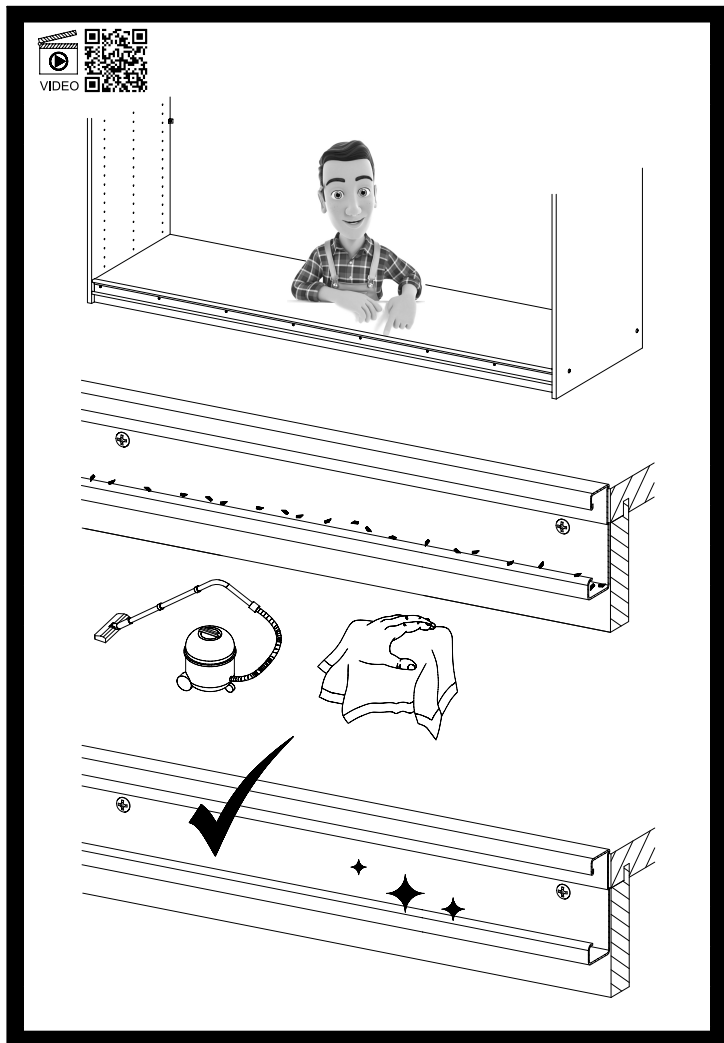
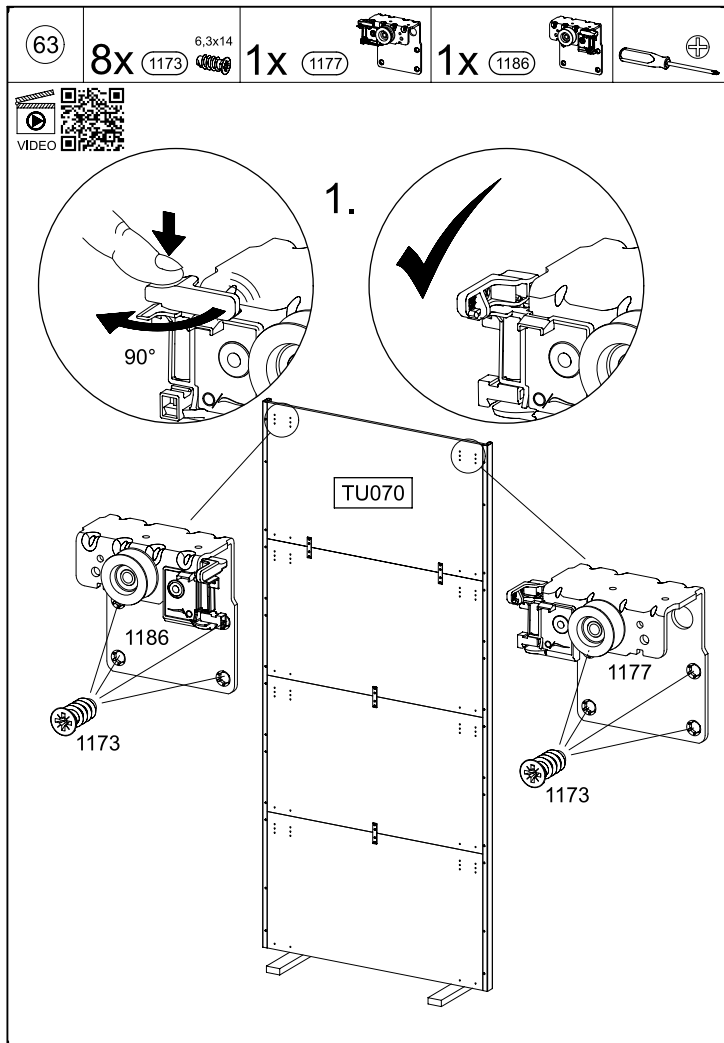
M2935

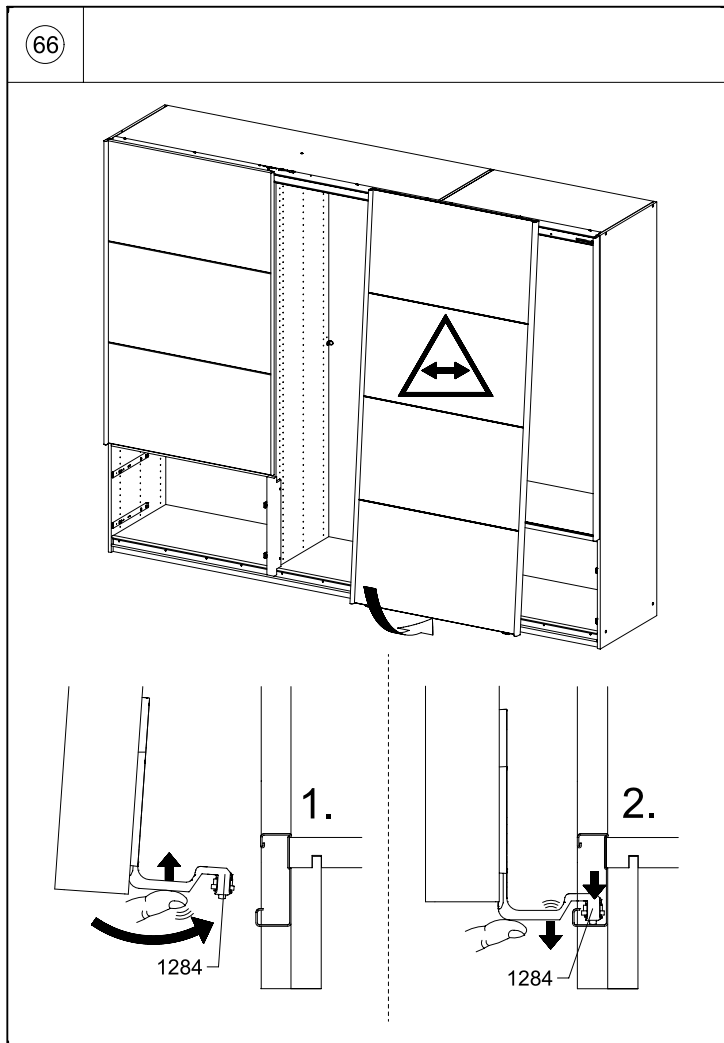


M2935

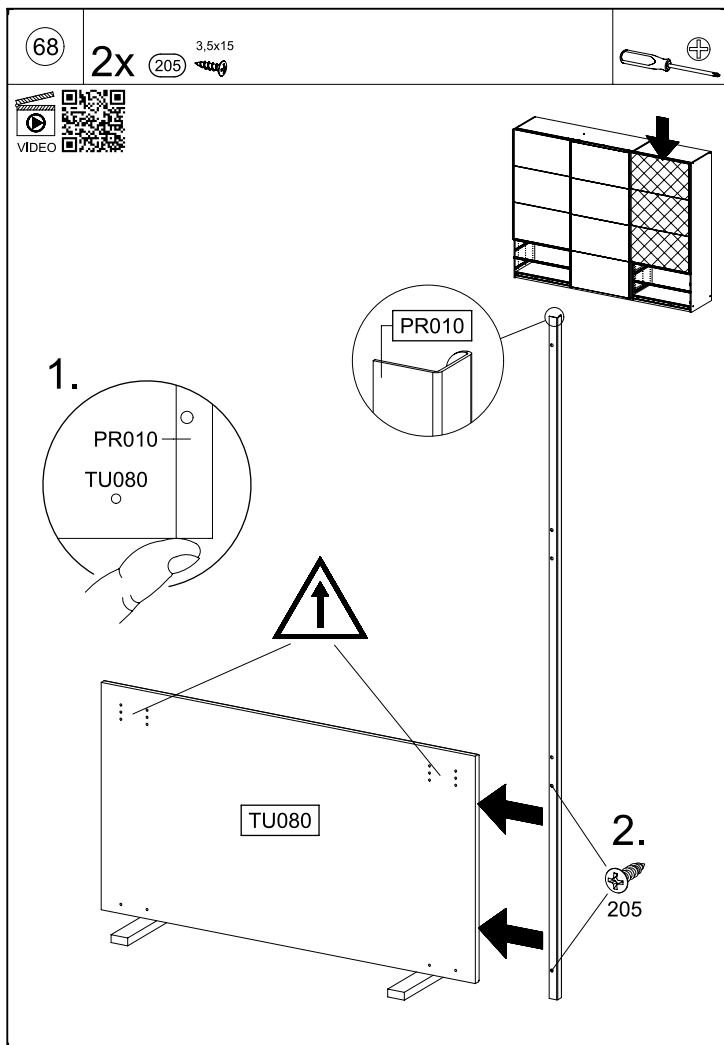


M2935

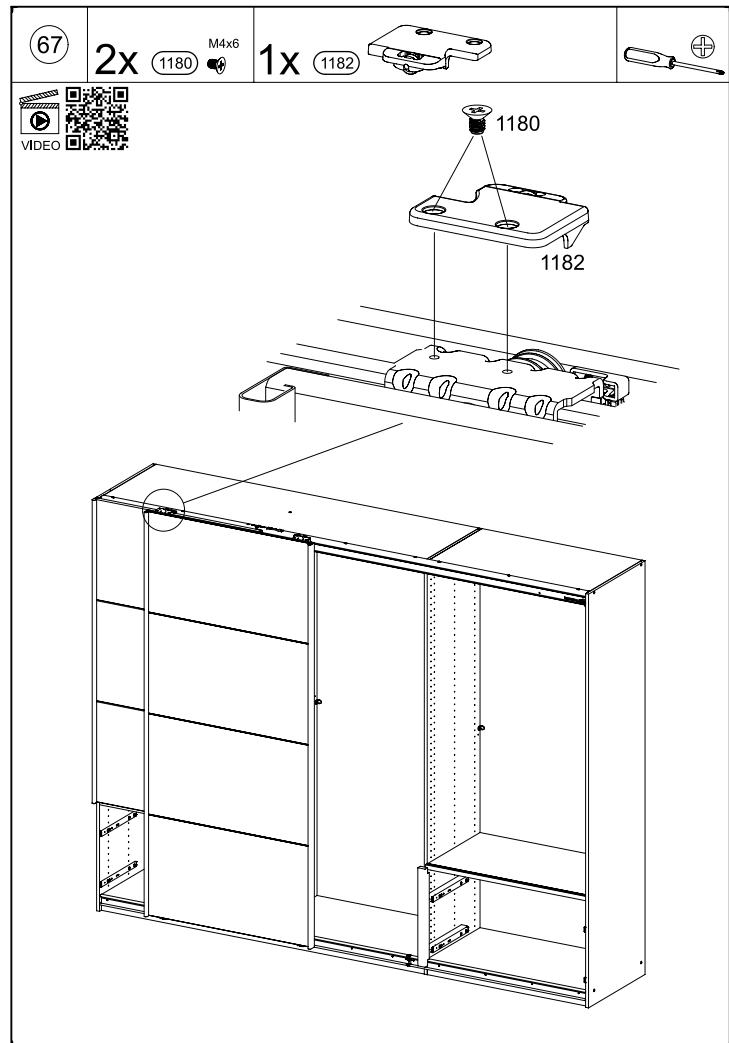




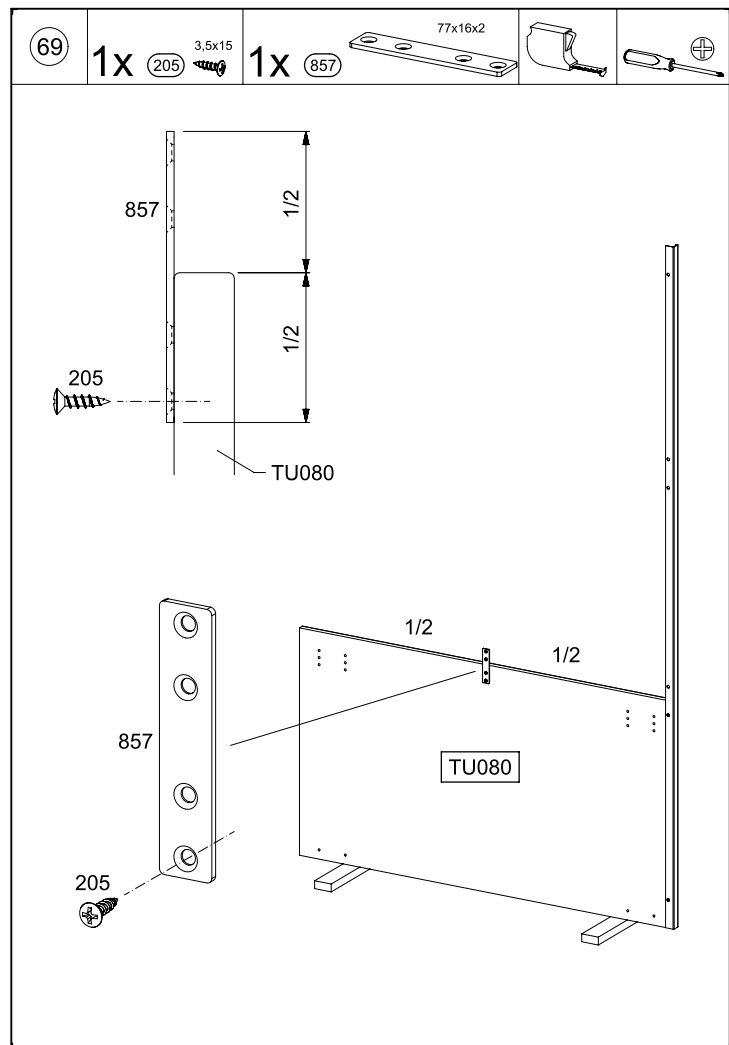
M2935



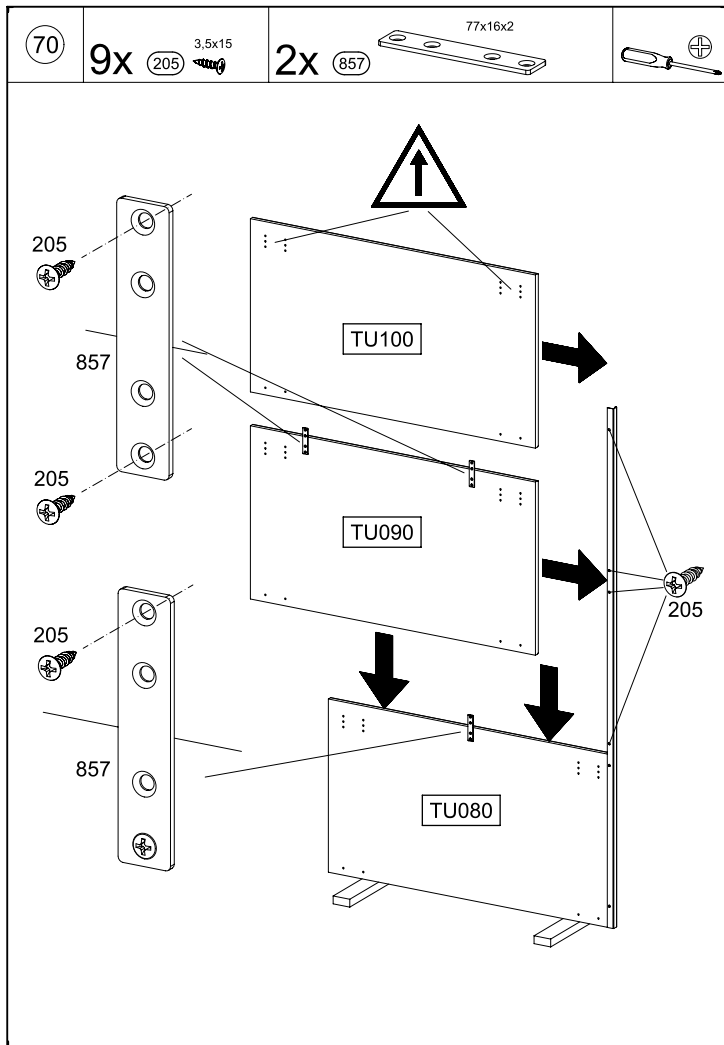
M2935



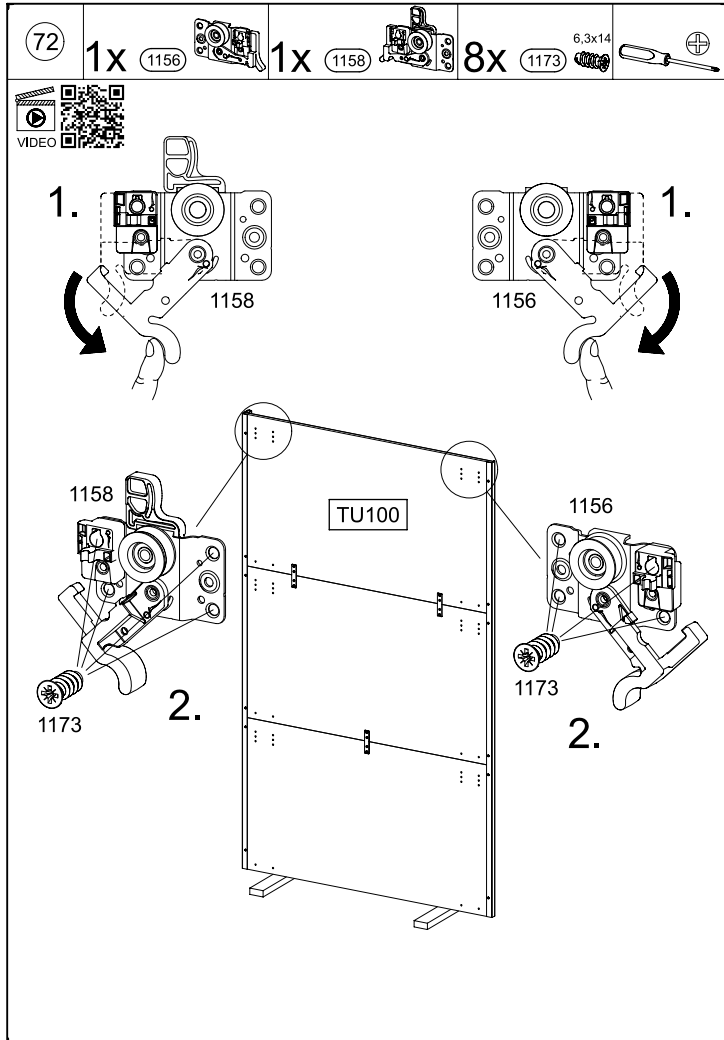
M2935



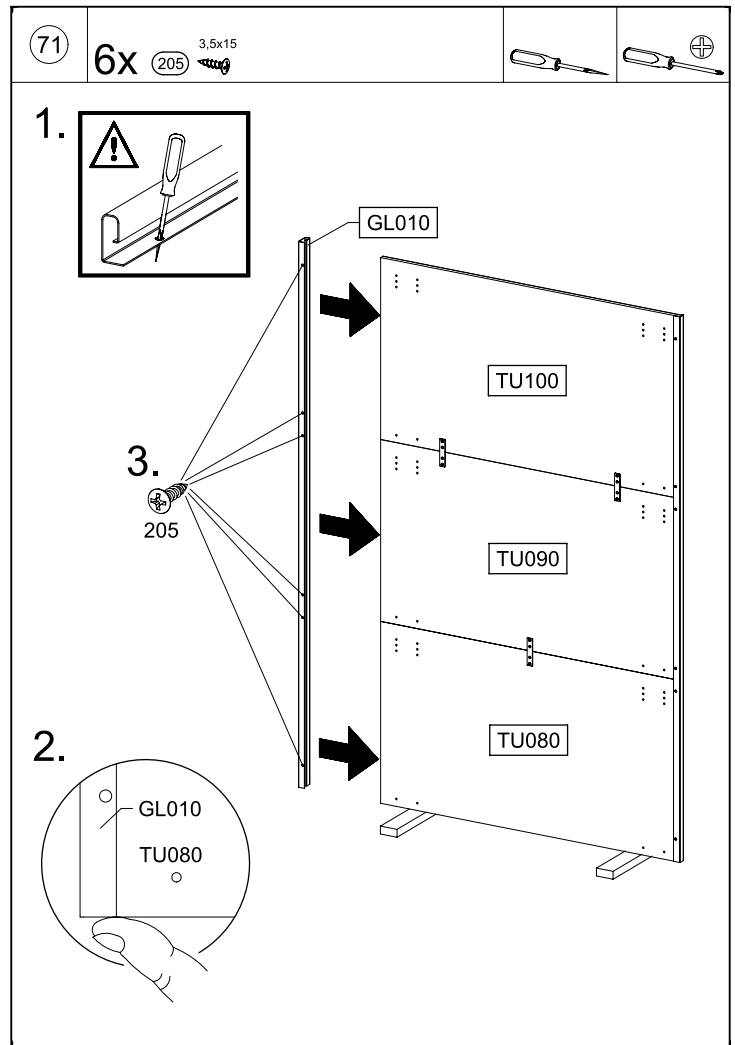
M2935



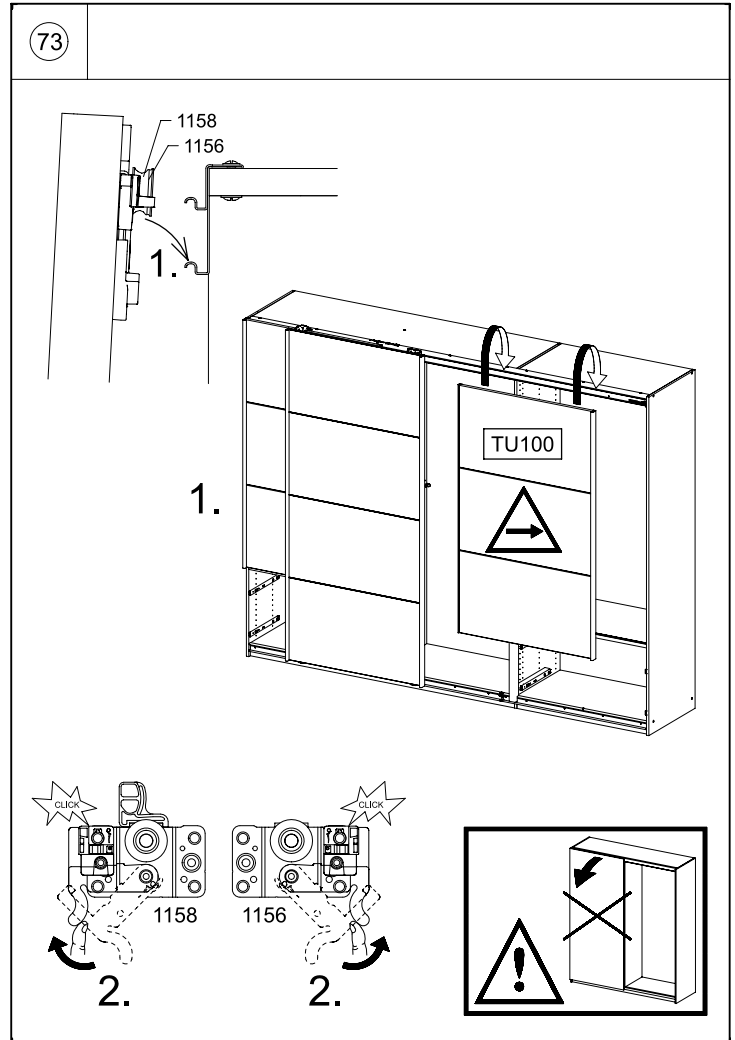
M2935



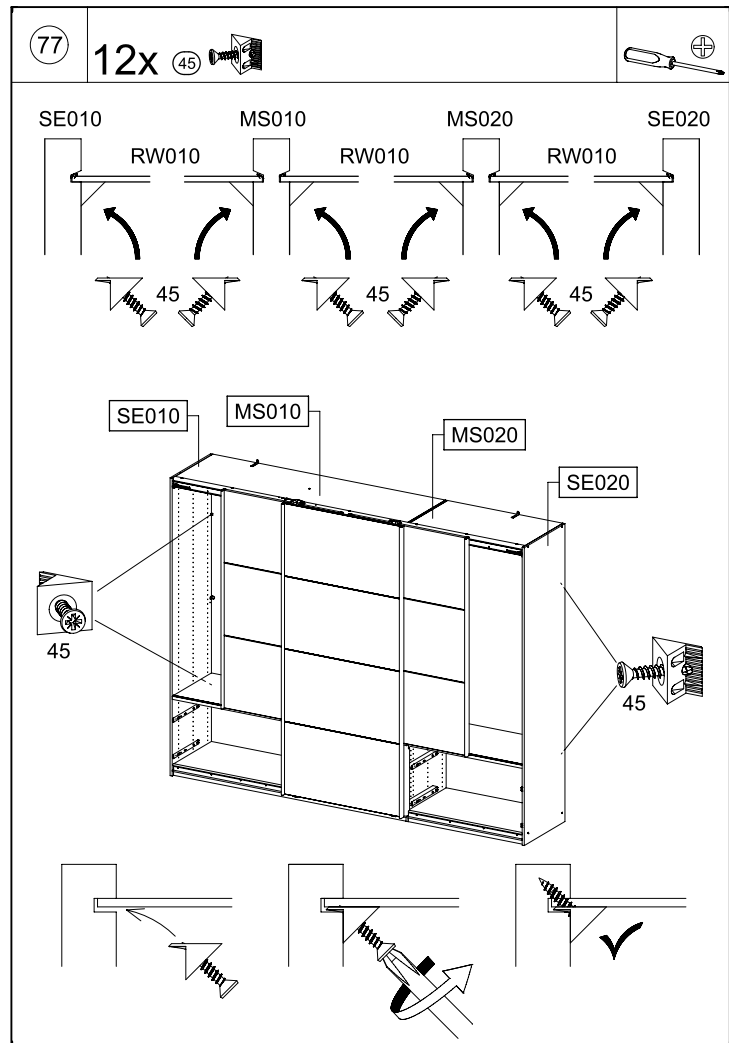
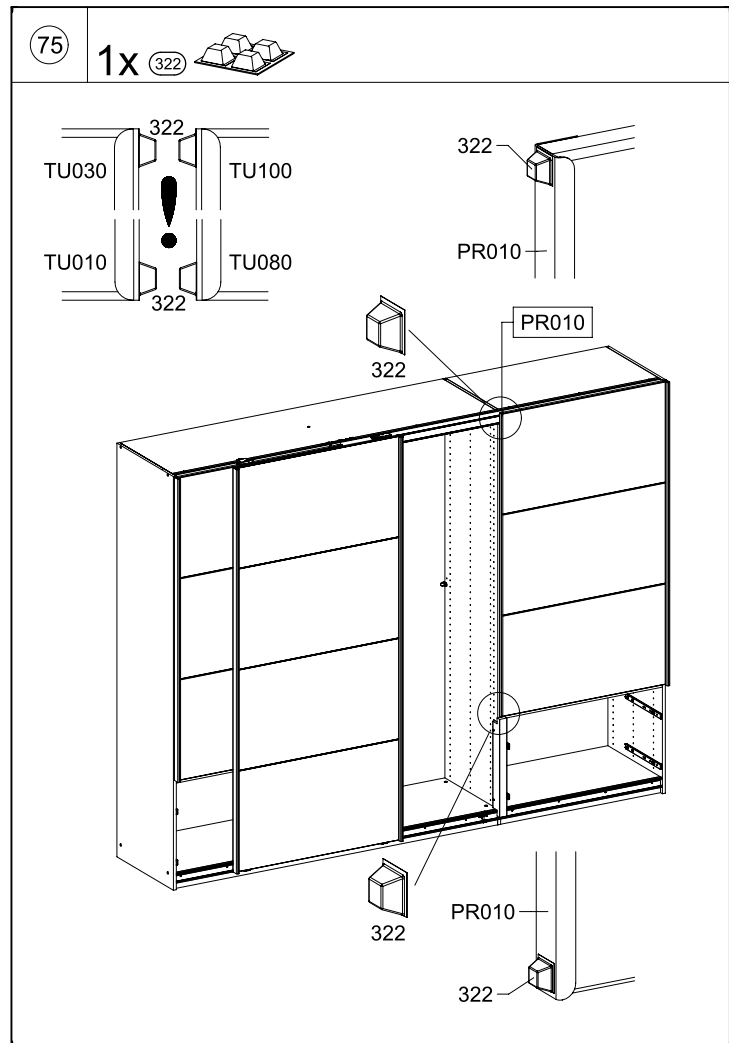
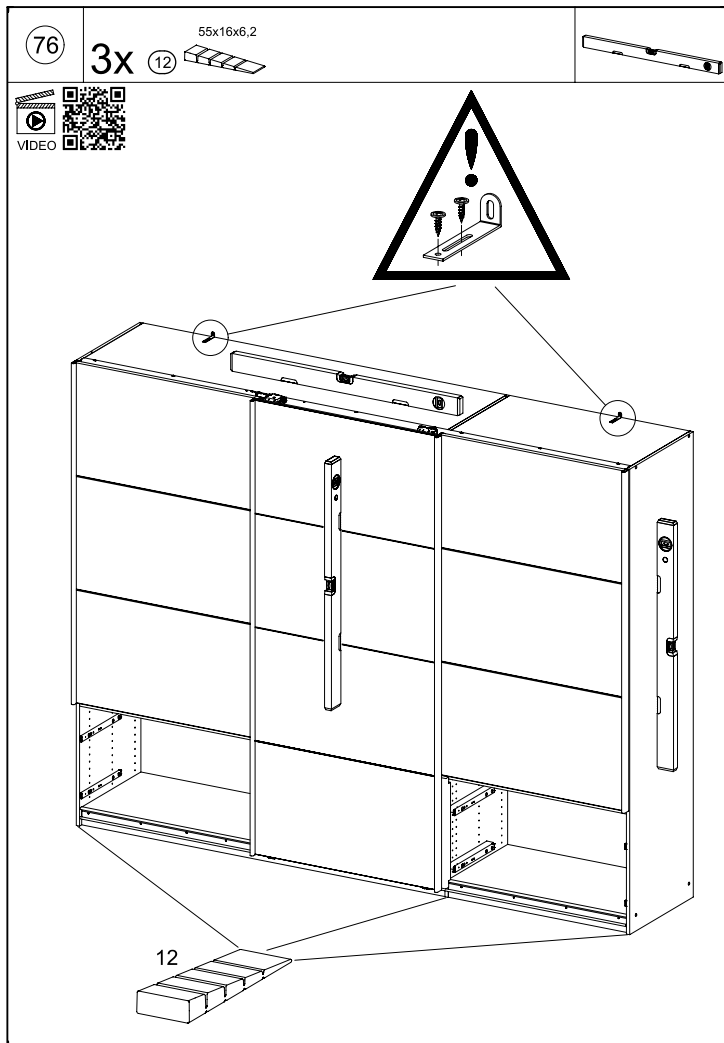
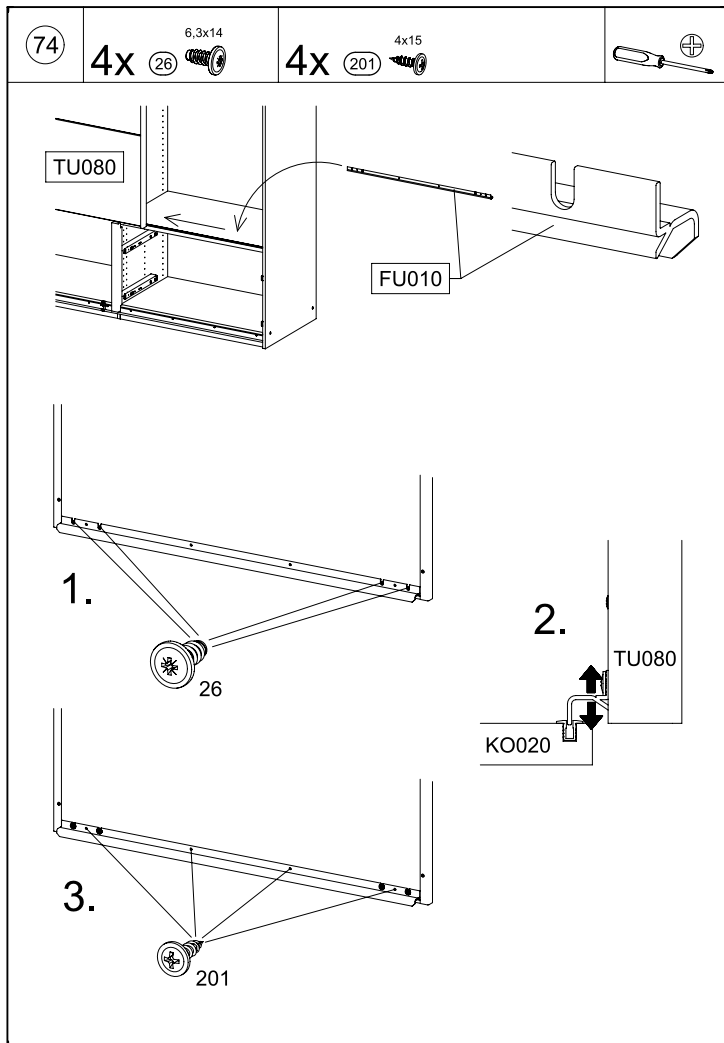
M2935

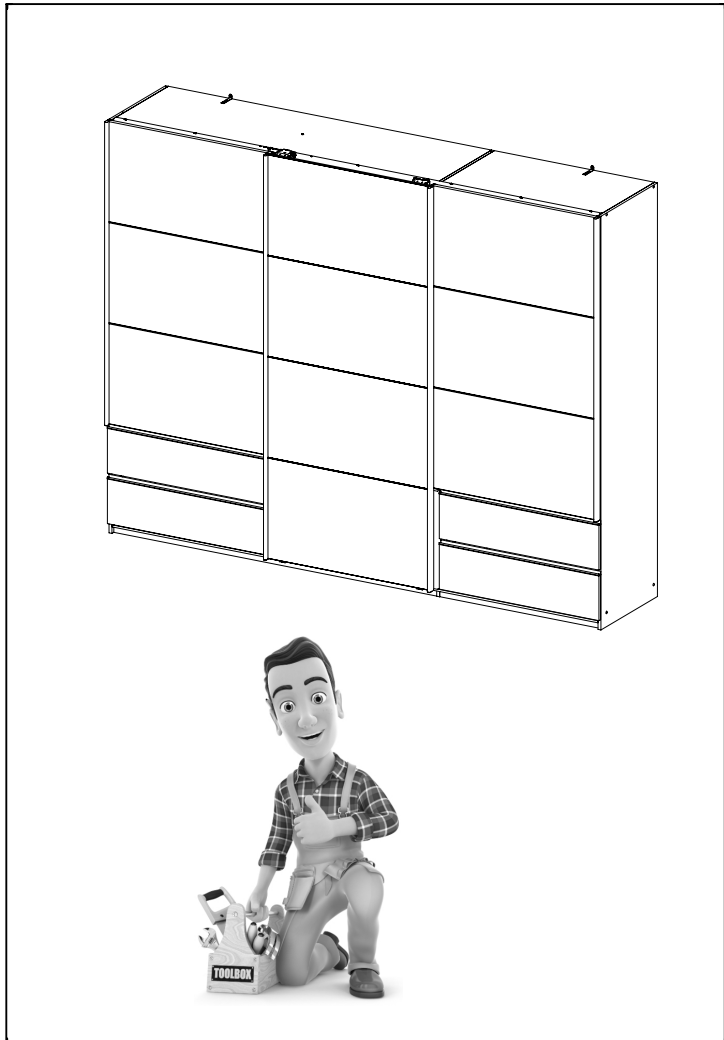
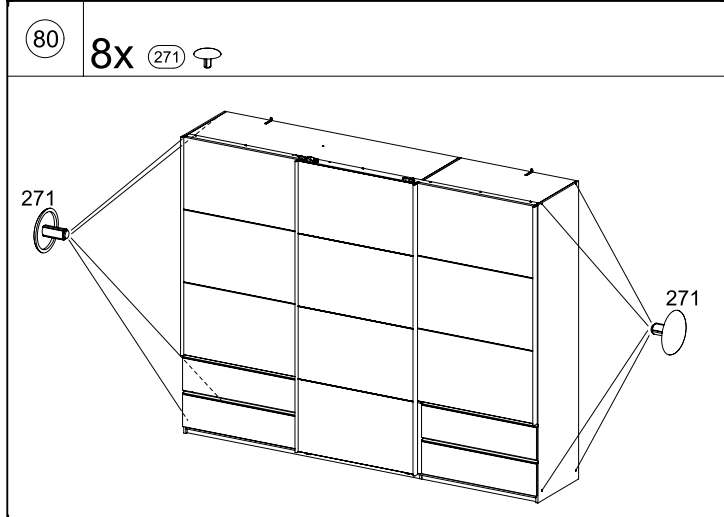
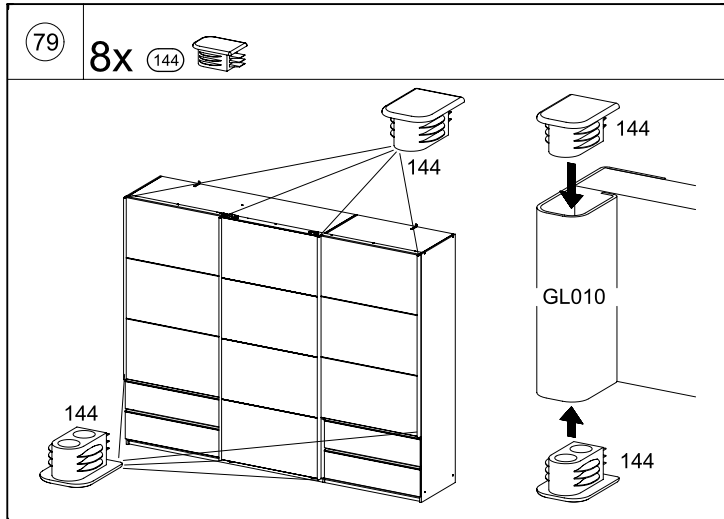
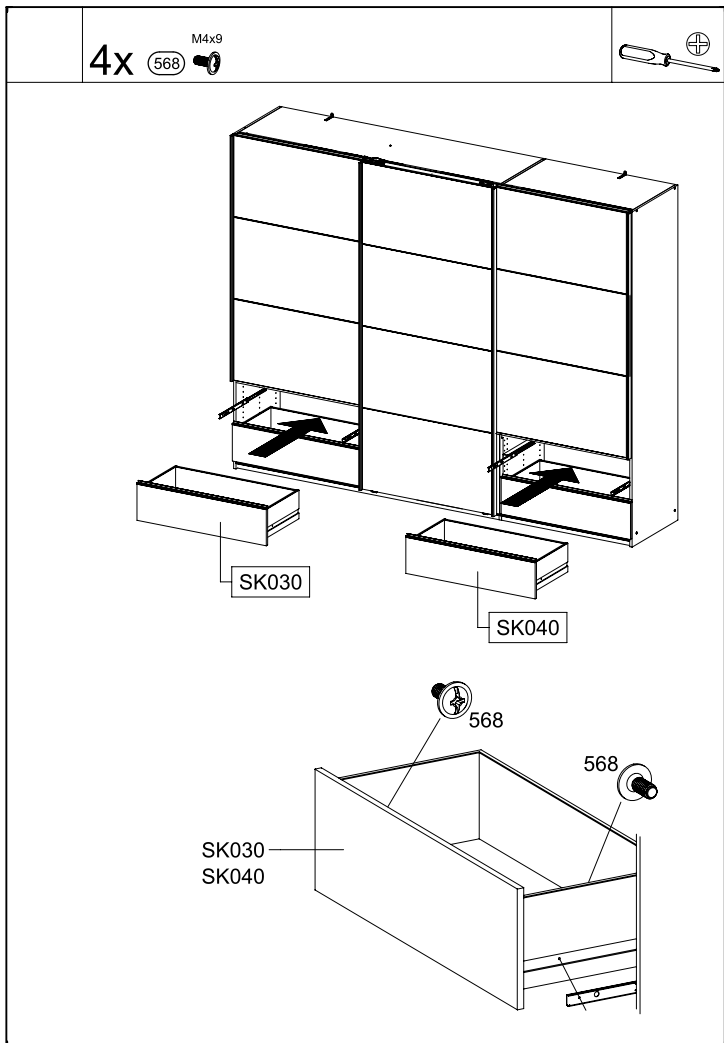
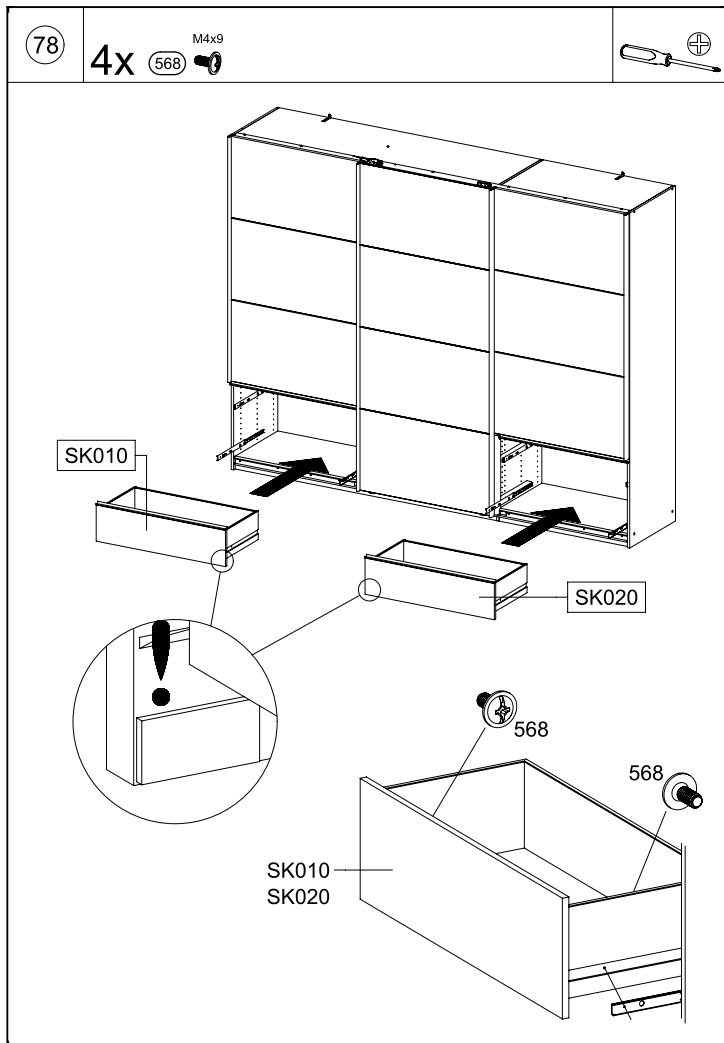


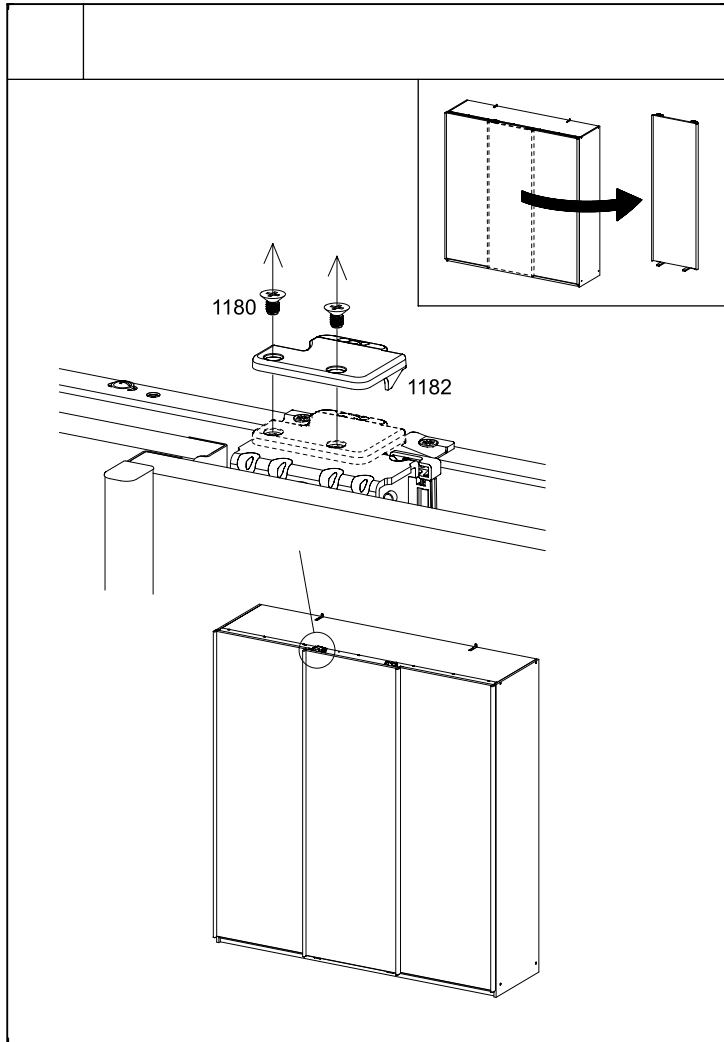
M2935



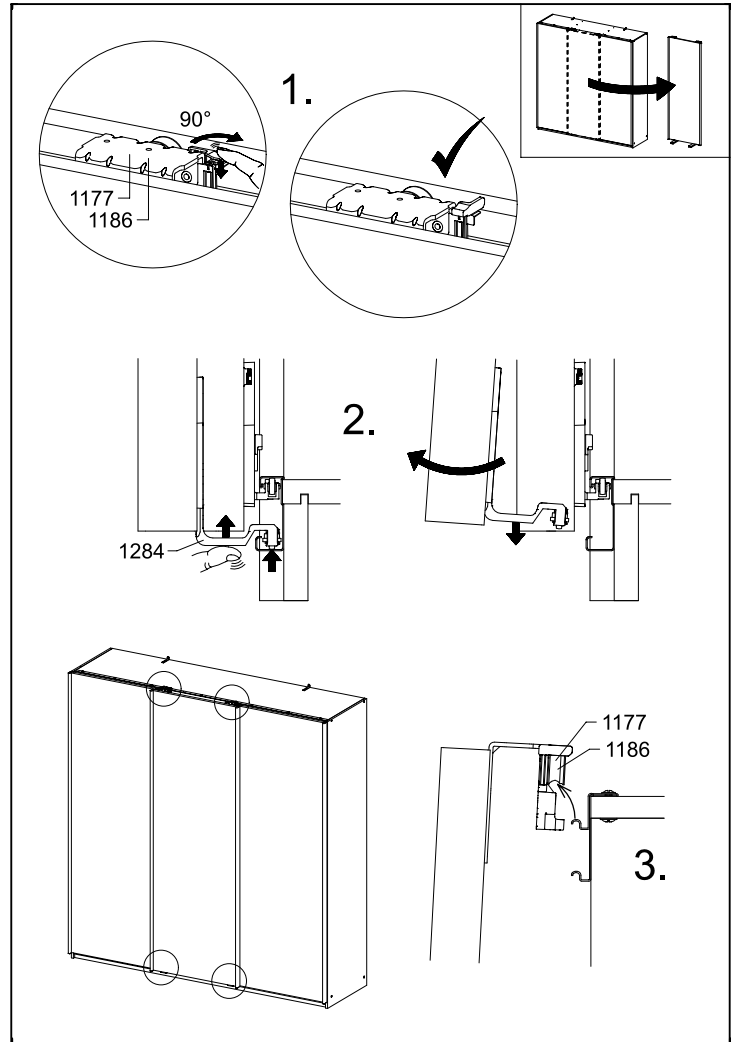
M2935







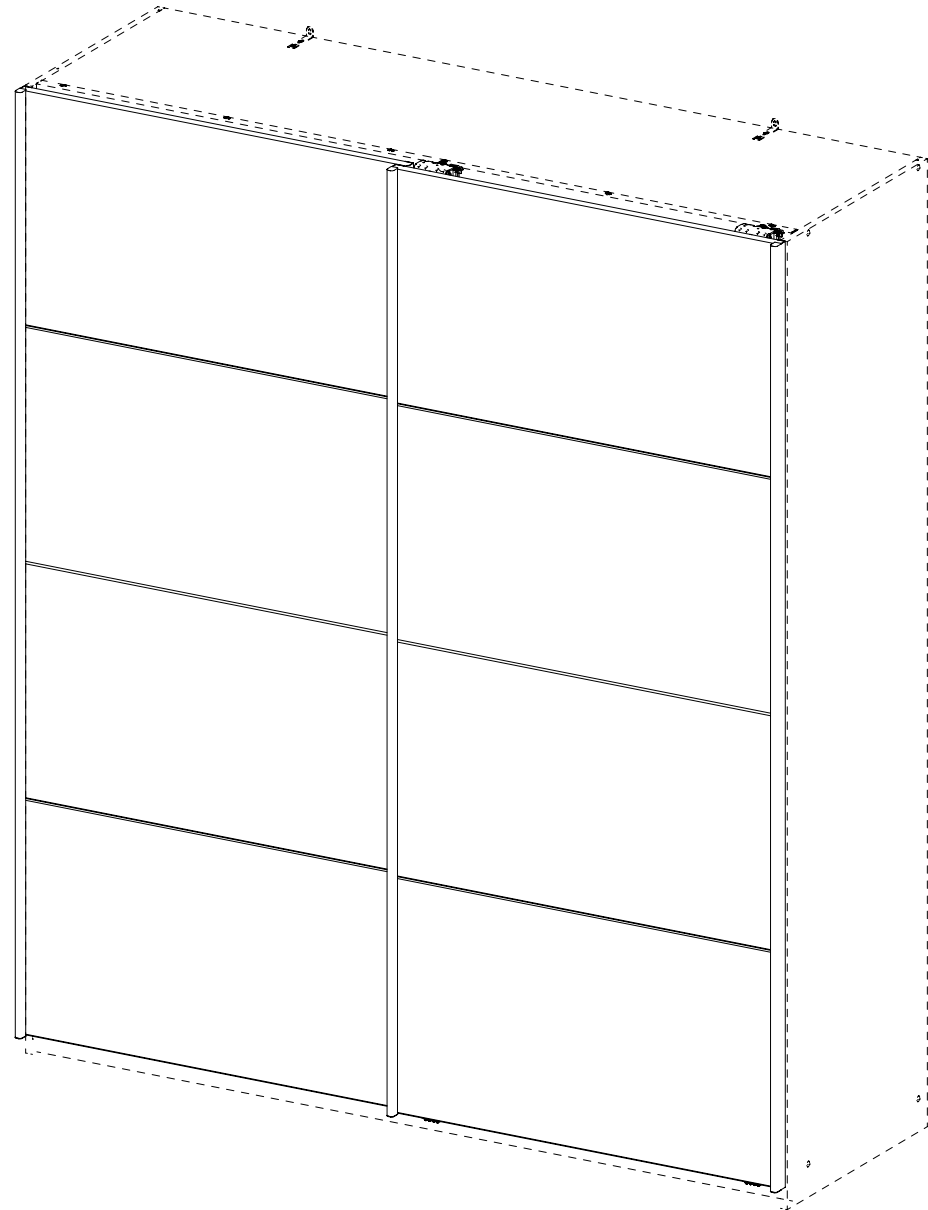
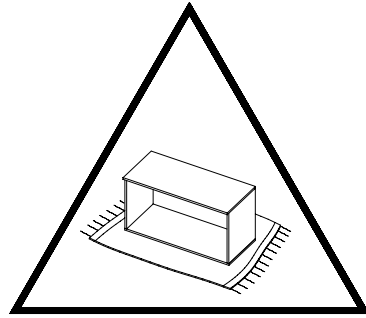
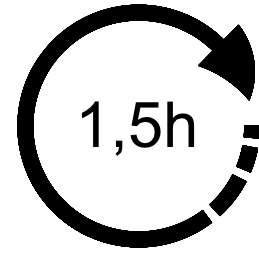
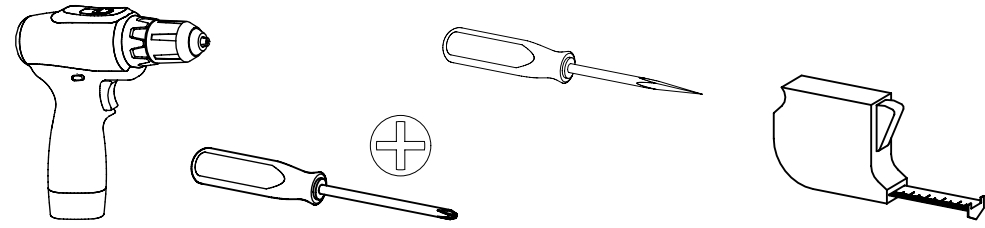
M2835



M2835

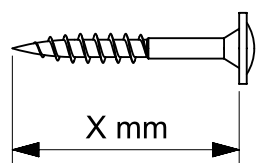
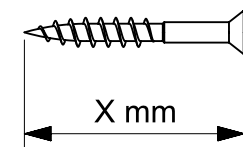
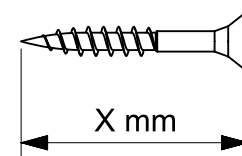
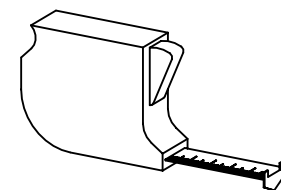
1.

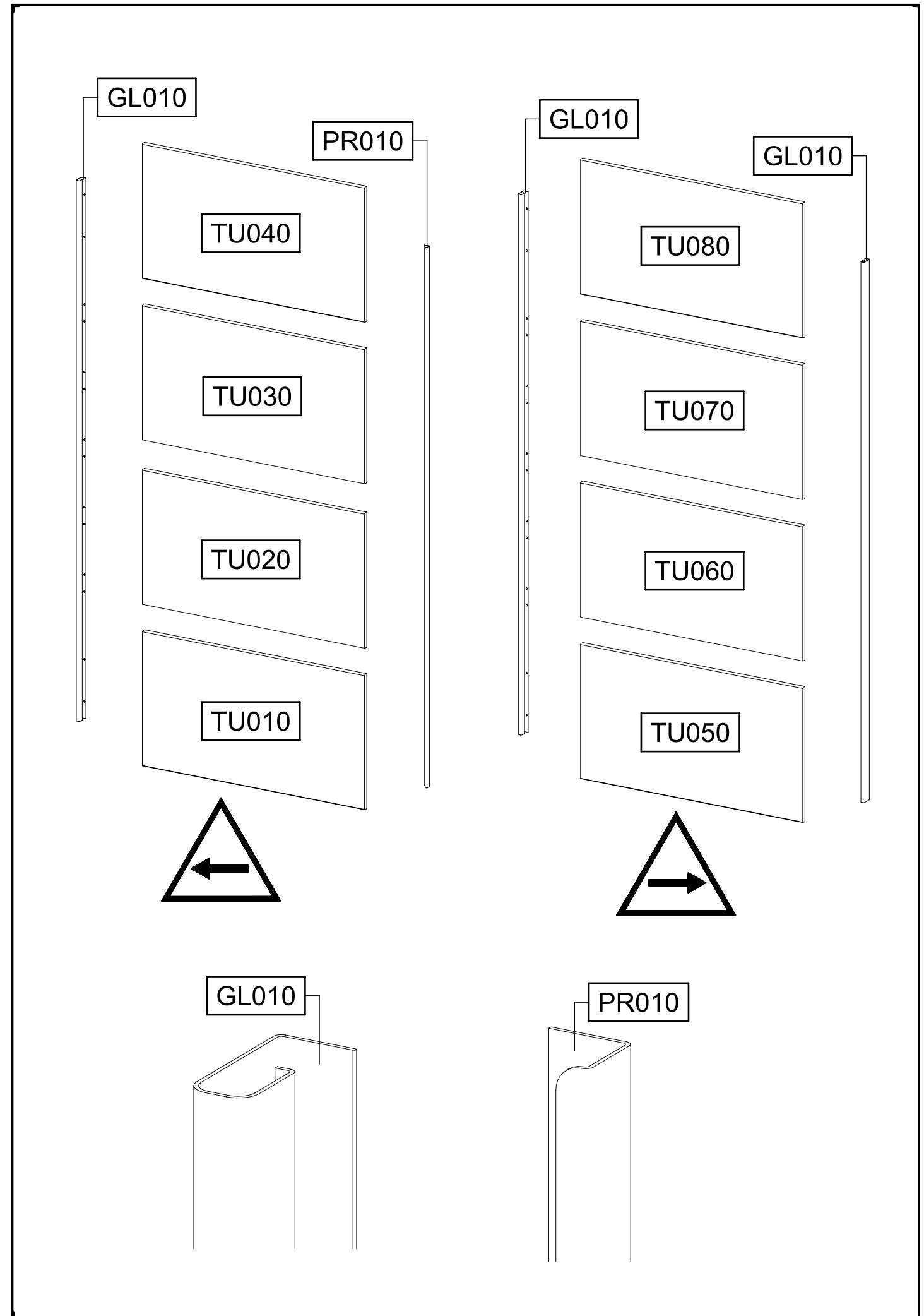
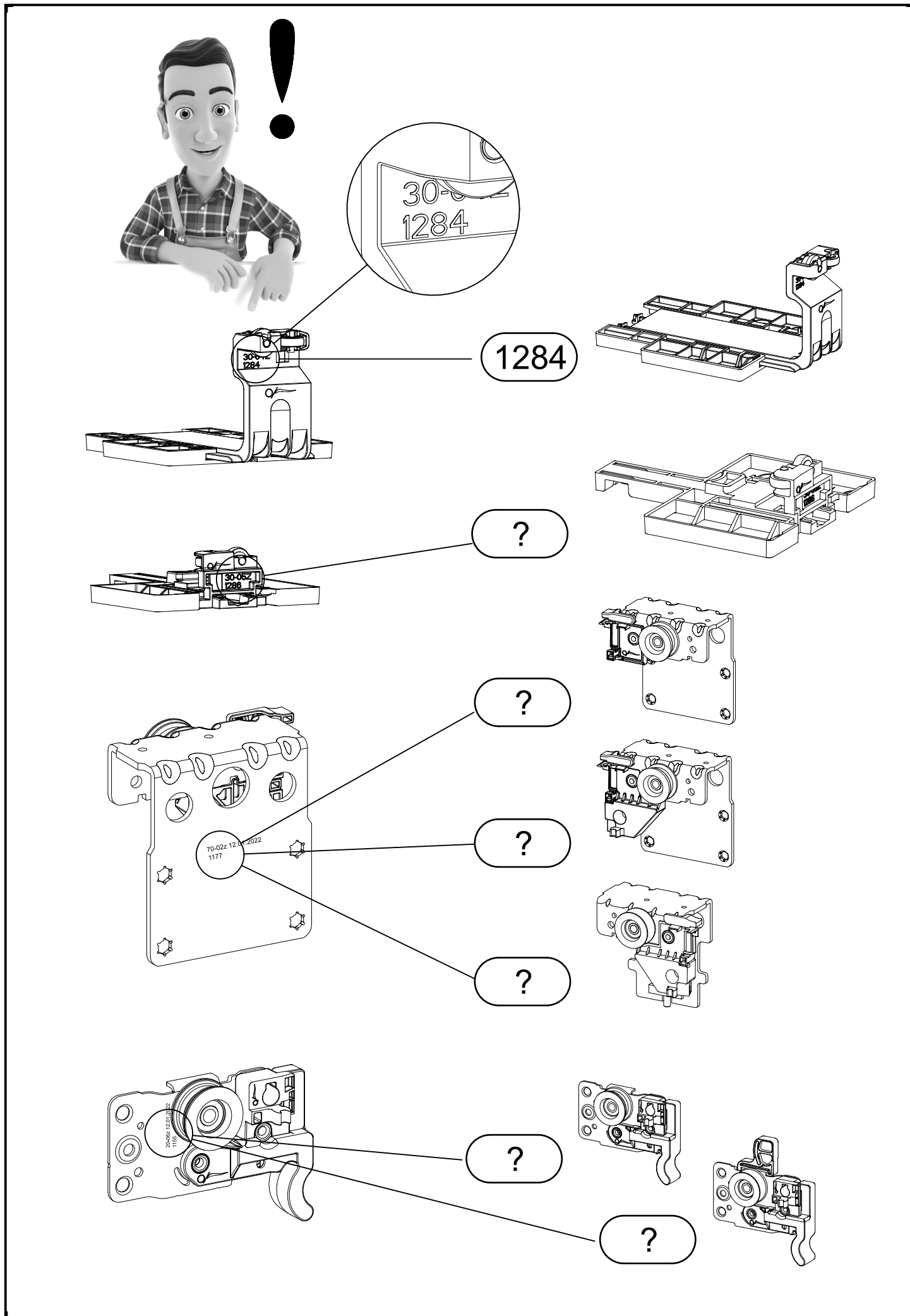
M9980_02

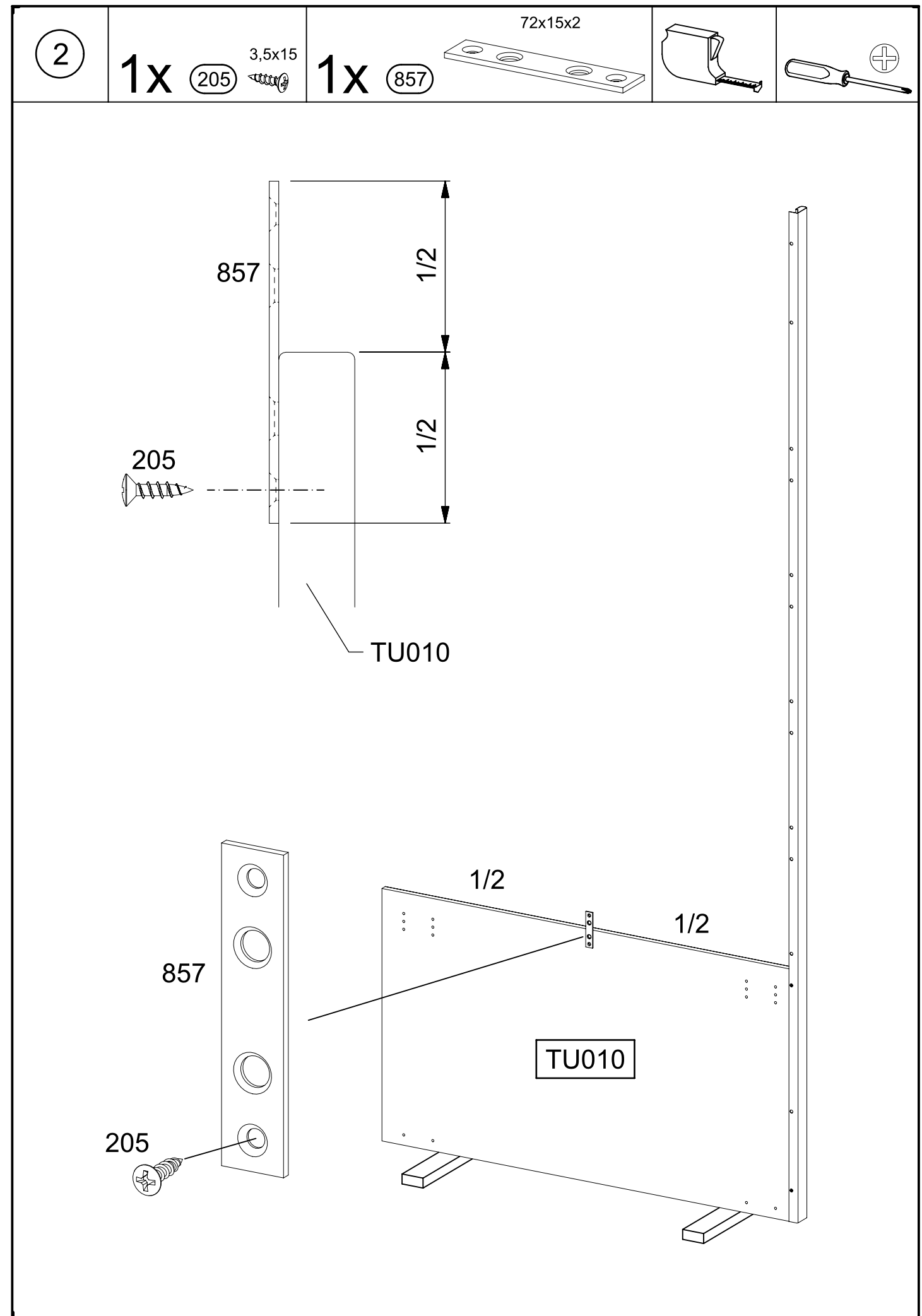
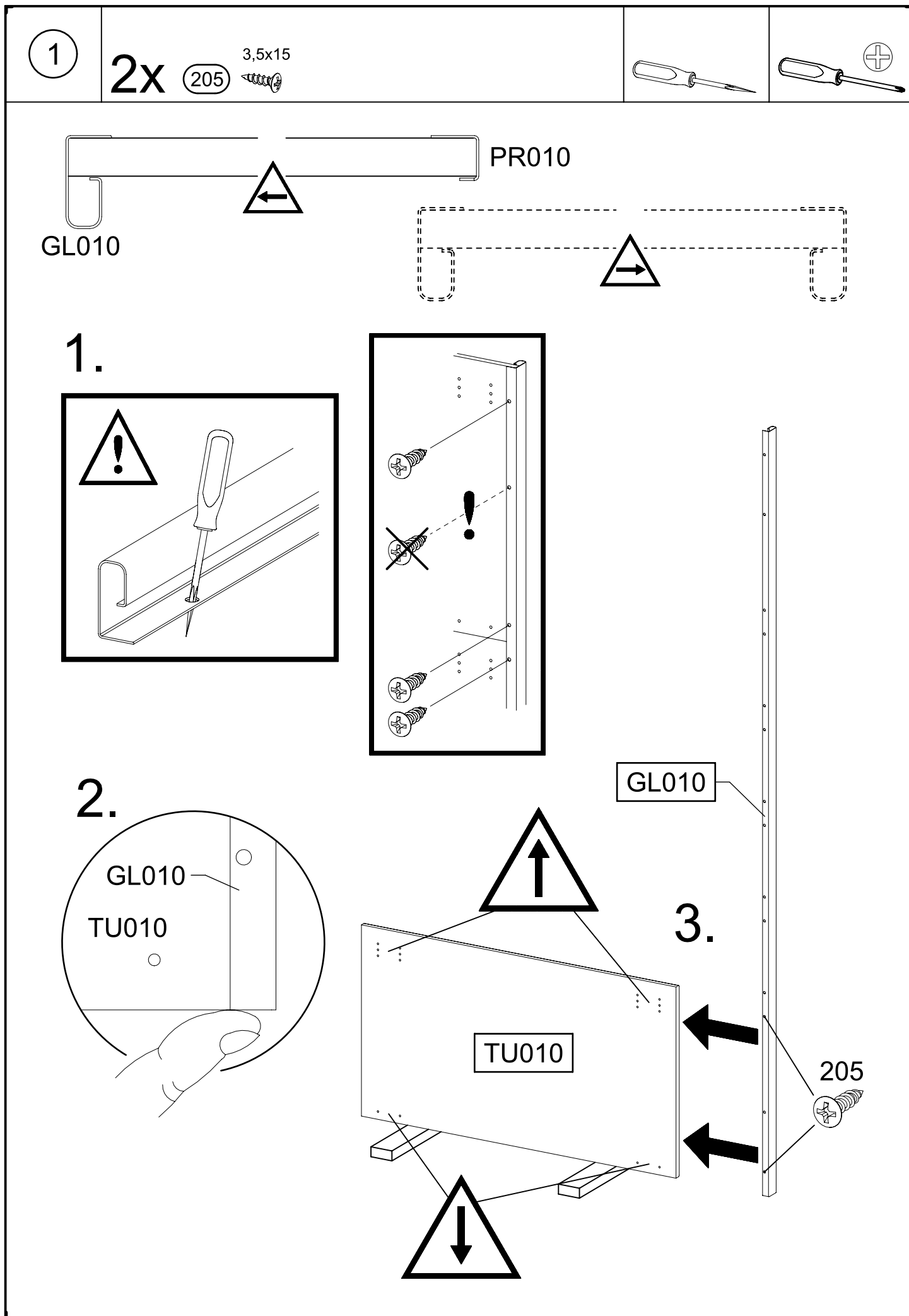


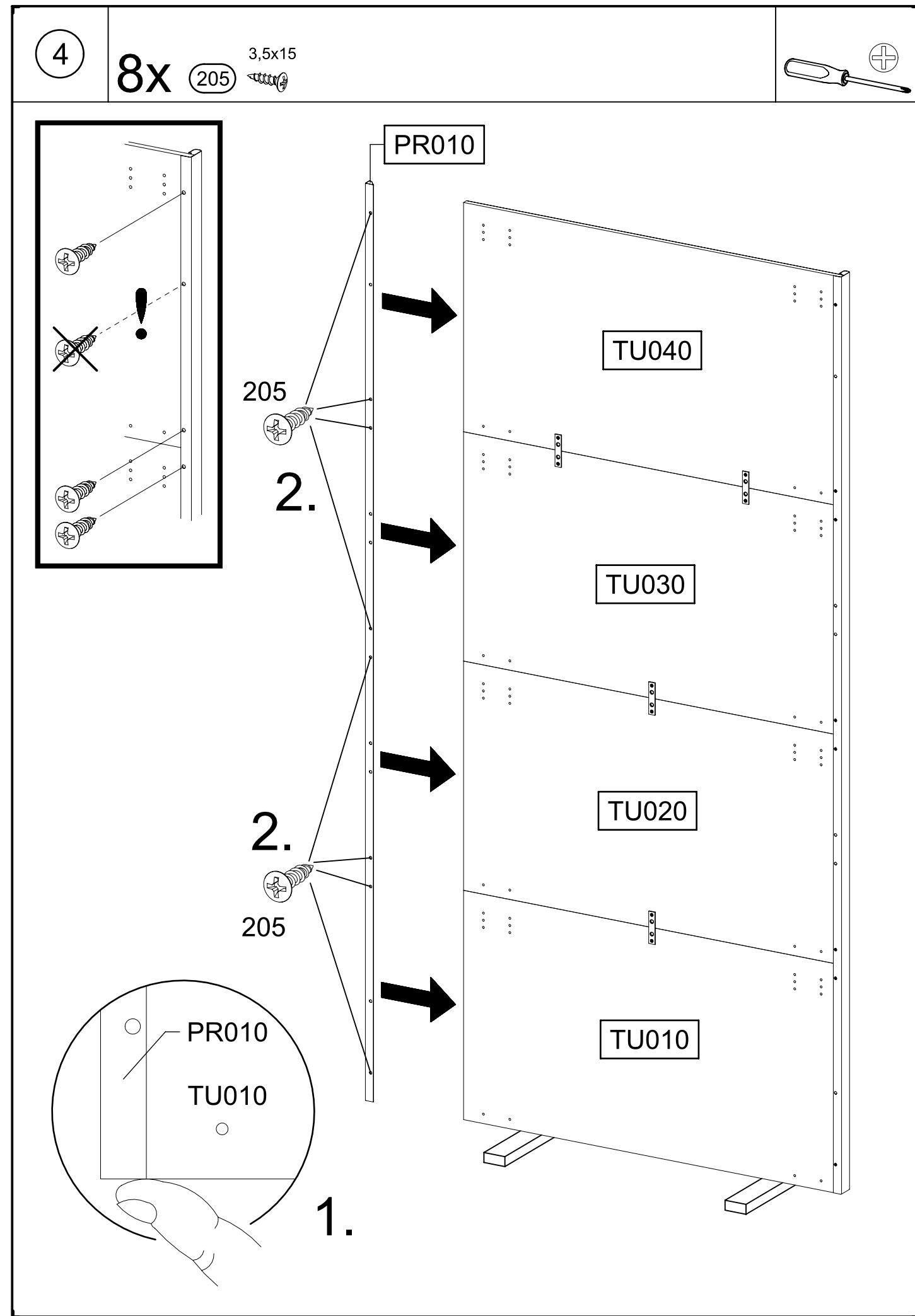
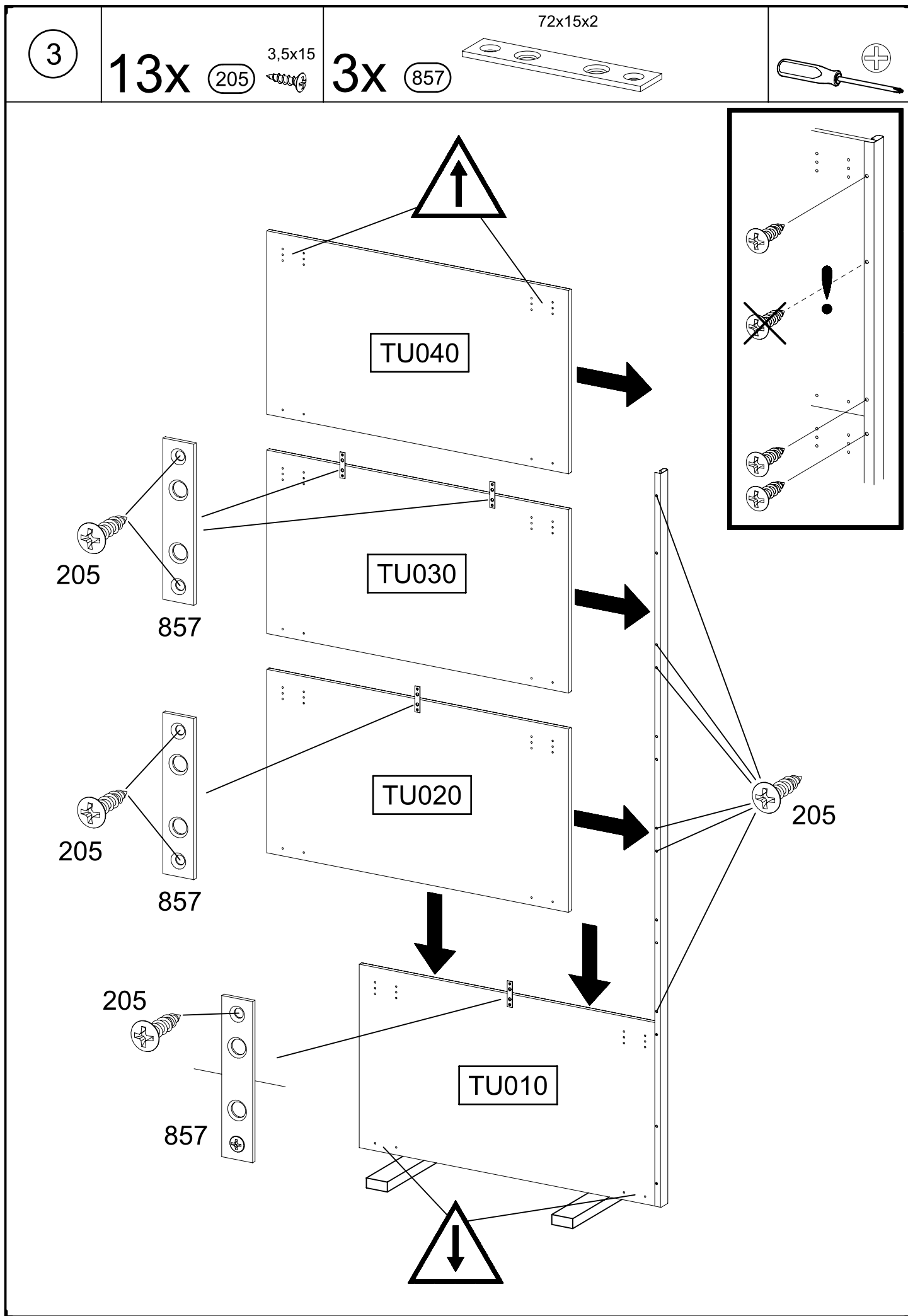
2.

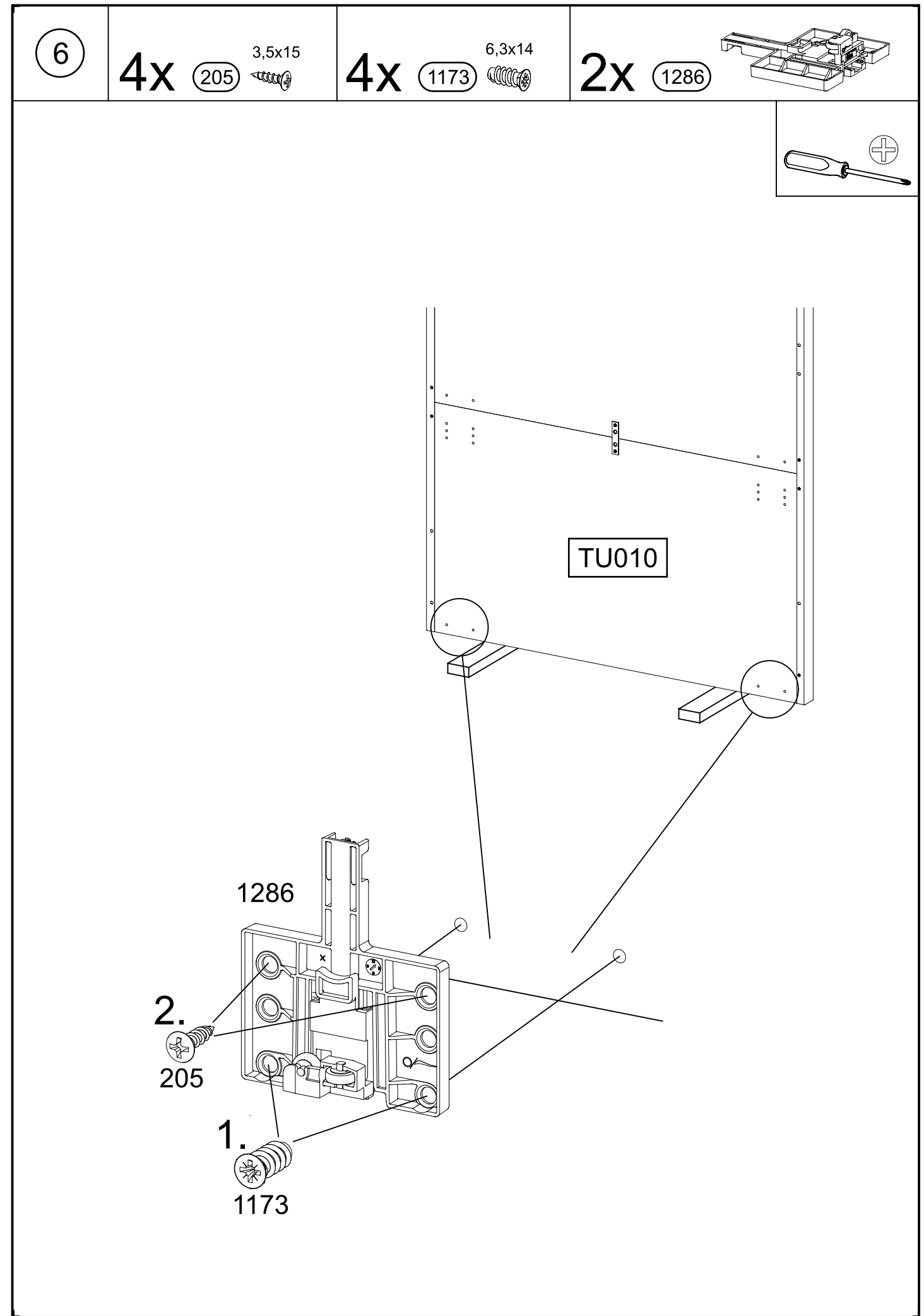
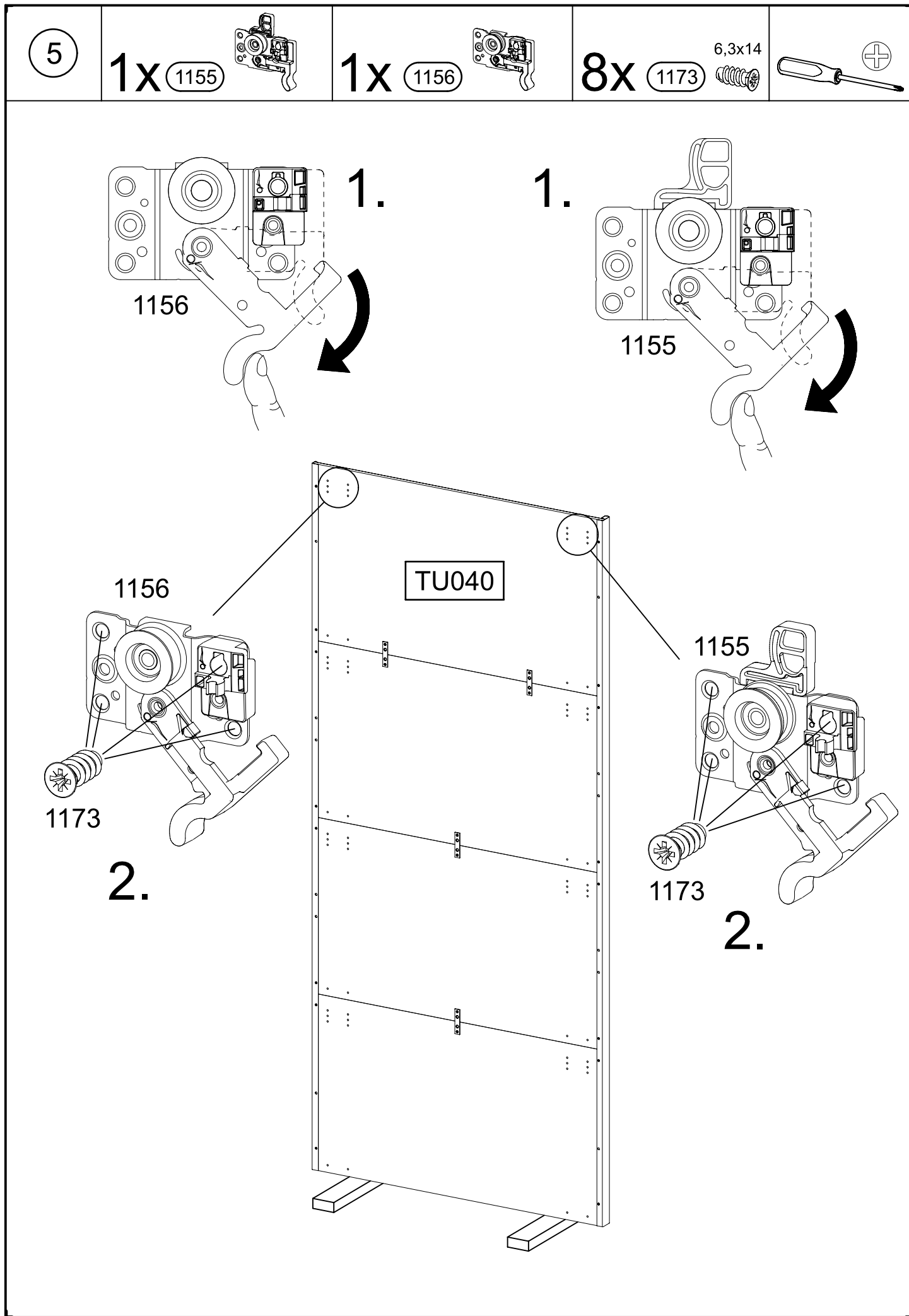
6x 144 	56x 205 3,5x15 	8x 857 72x15x2
1x 1155 	1x 1156 	24x 1173 6,3x14
1x 1178 	1x 1177 	
2x 1284 	2x 1286 	

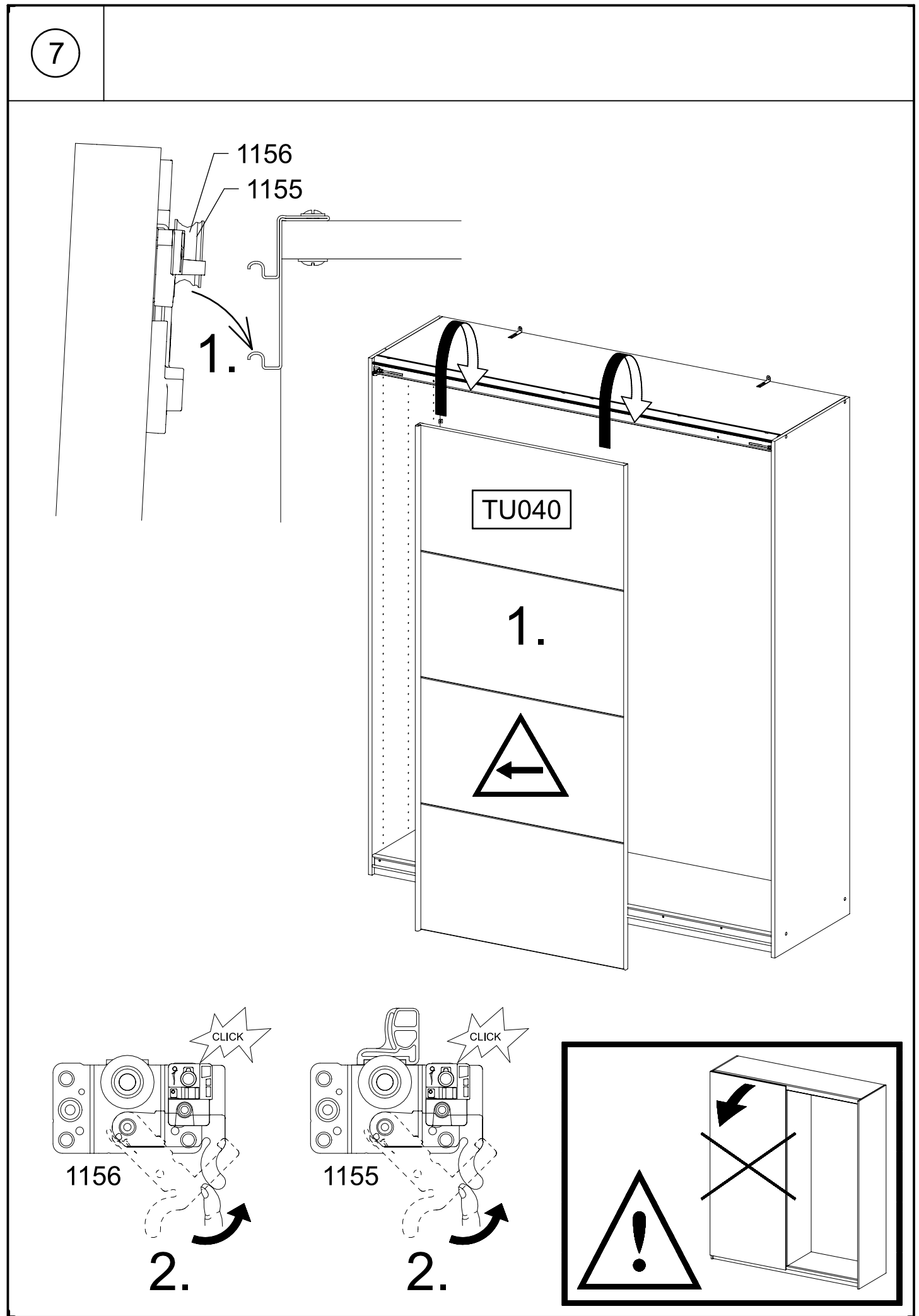
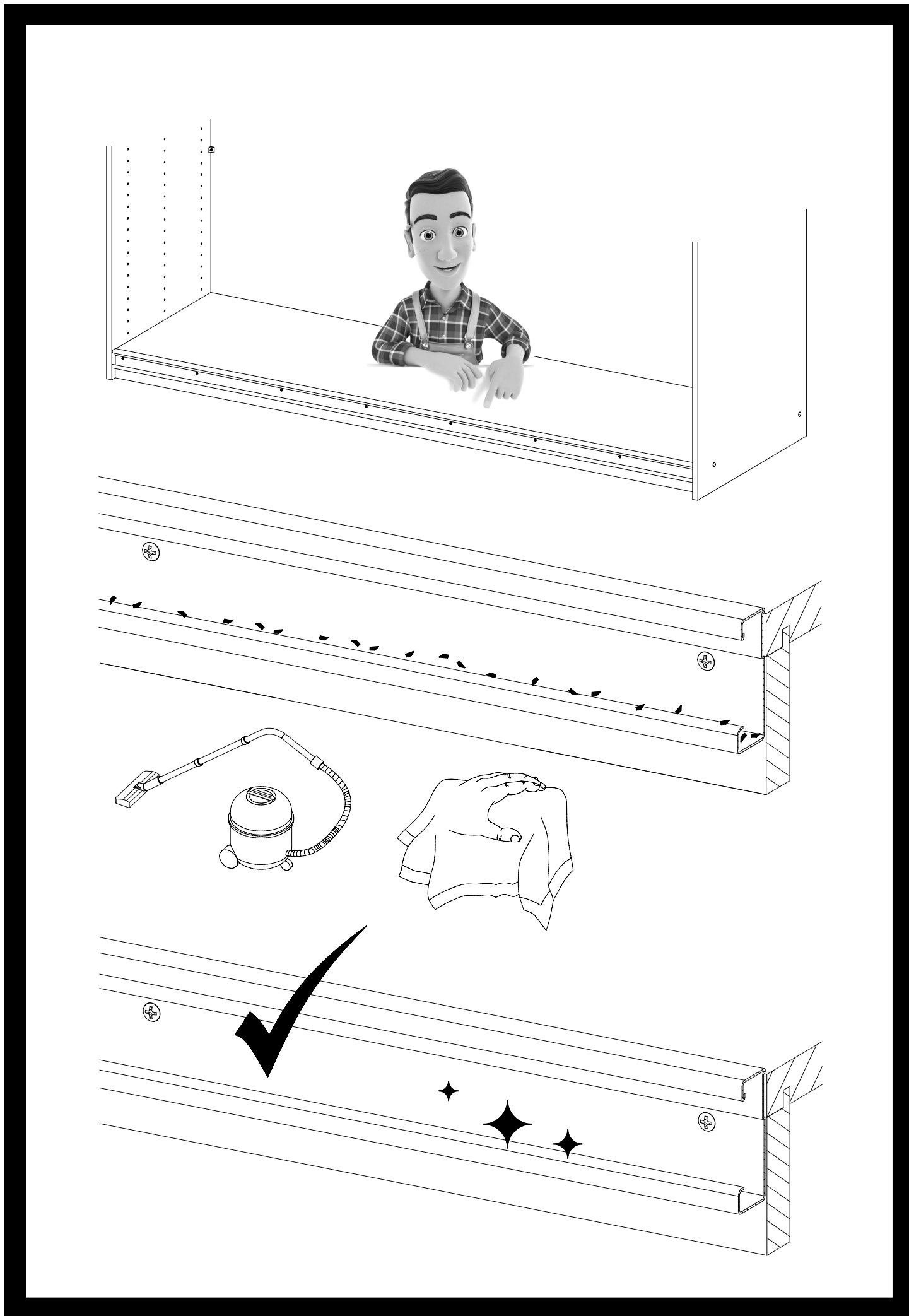




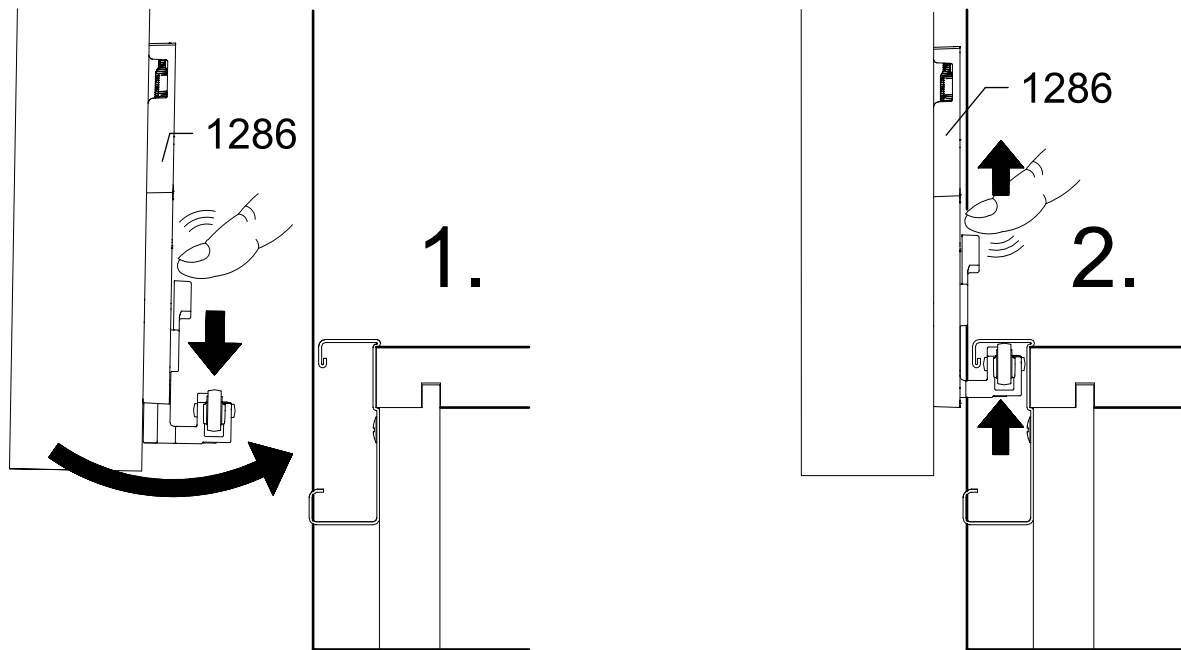
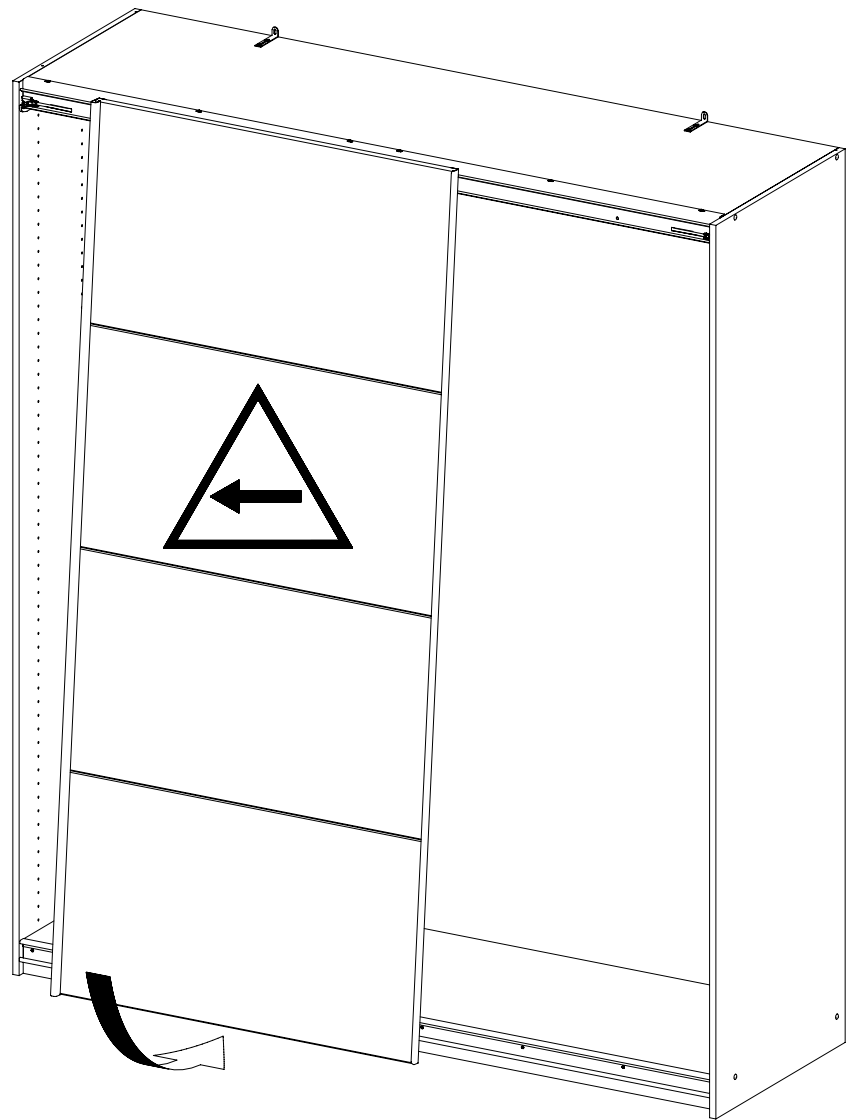






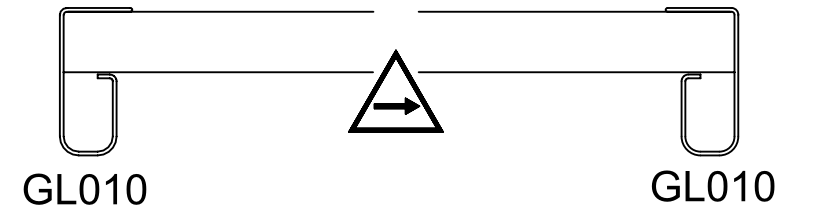
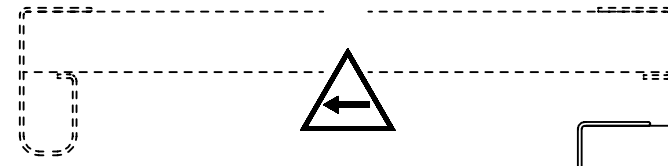
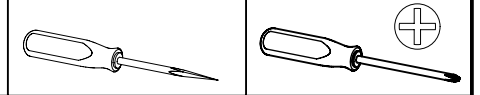


8

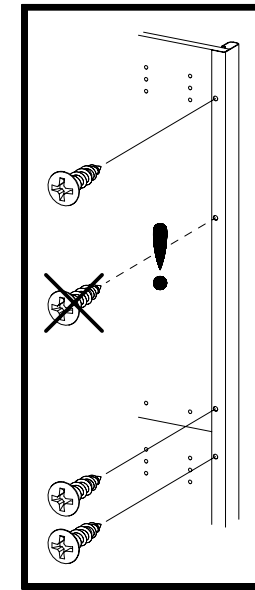
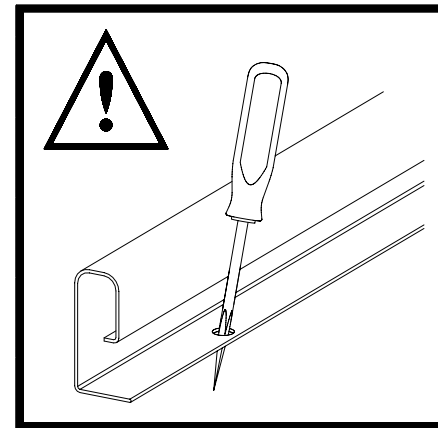


9

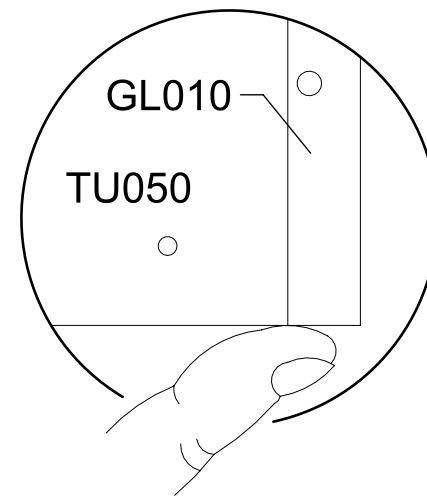
2x 205 3,5x15



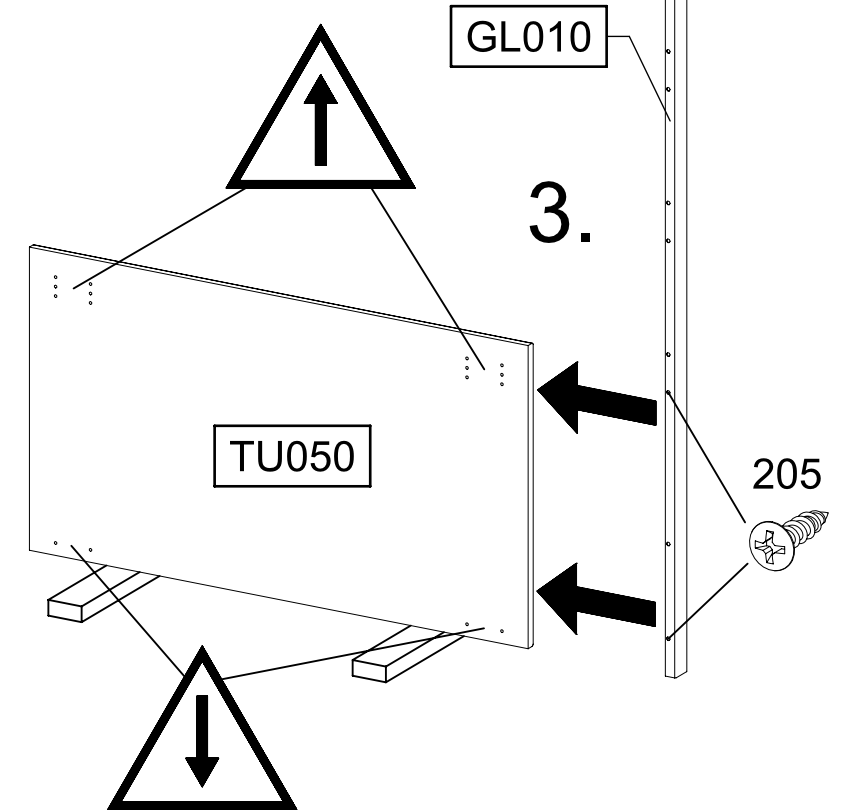
1.

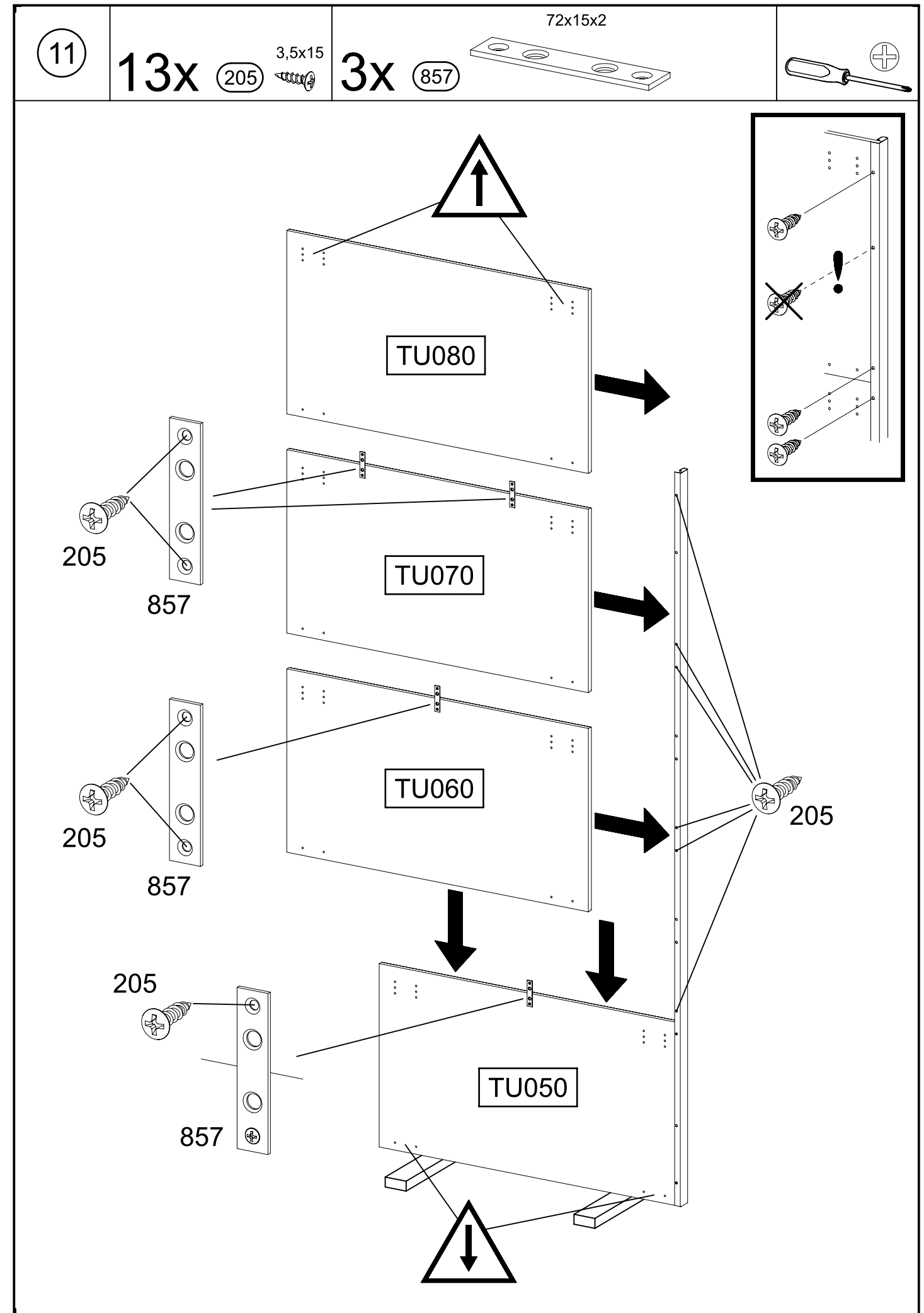
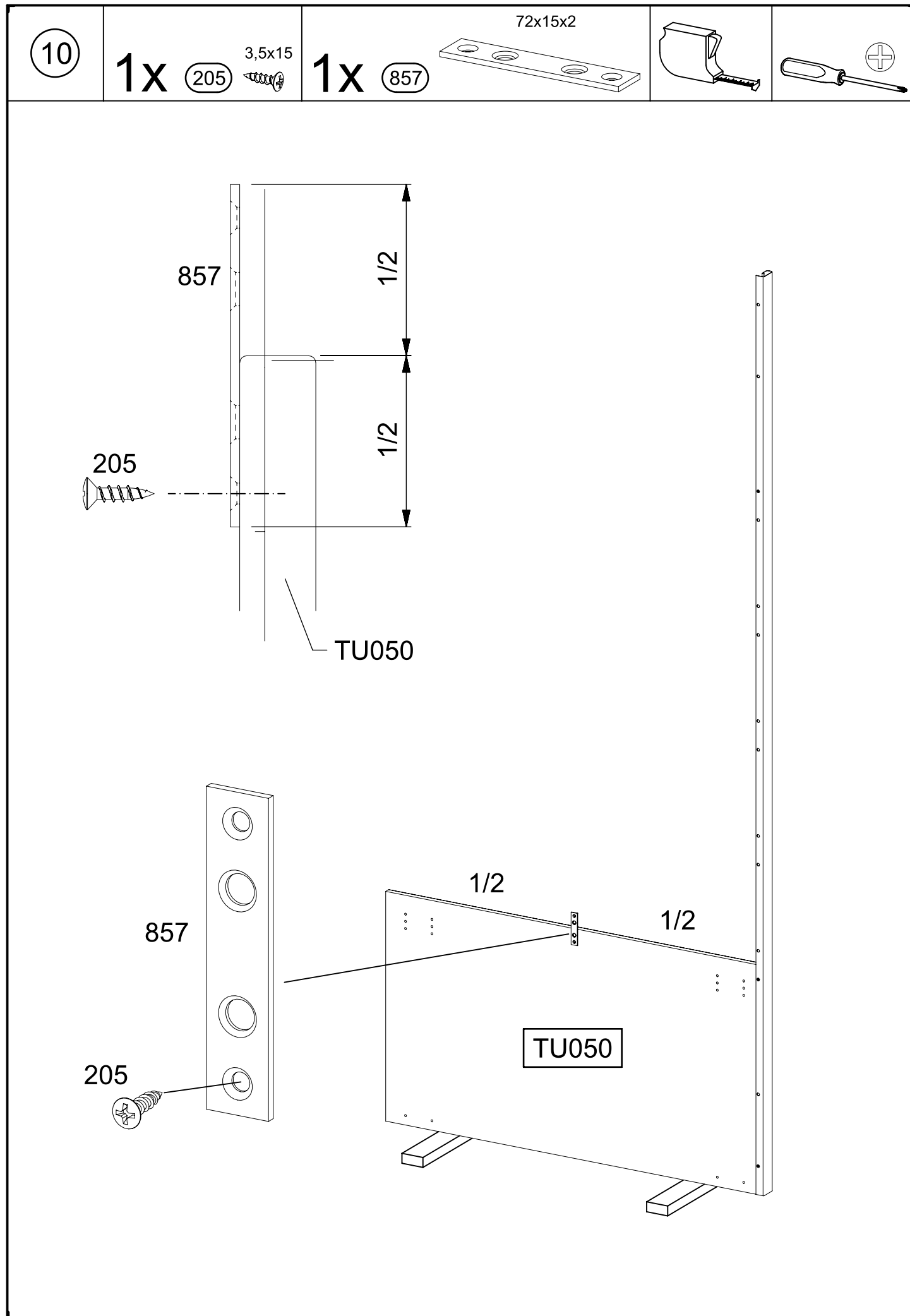


2.



3.



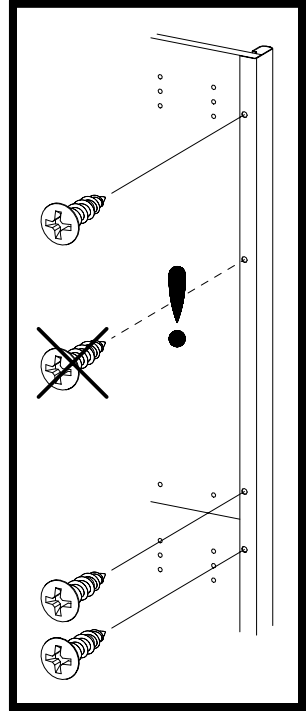
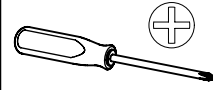


12

8x

205

3,5x15



GL010

2.



205

2.



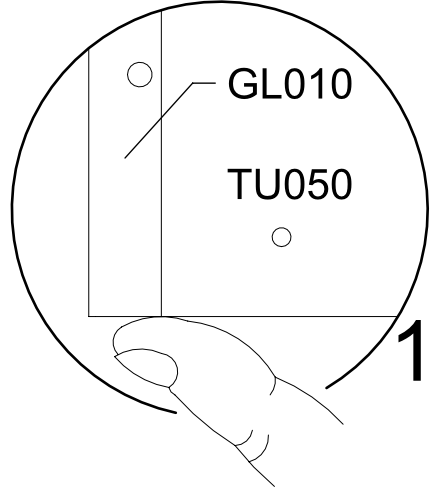
205

TU080

TU070

TU060

TU050



1.

13

8x

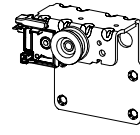
1173

6,3x14



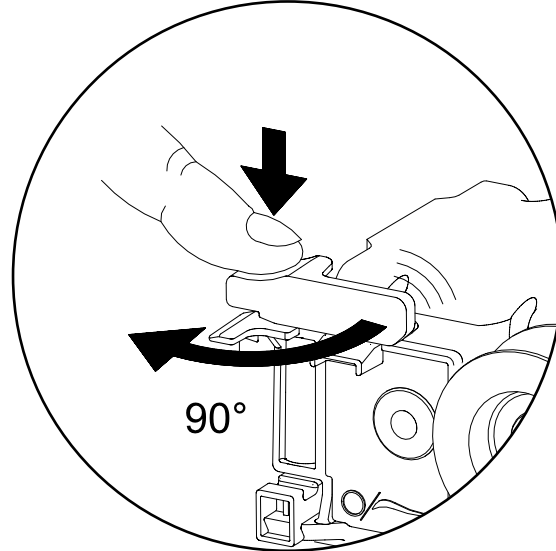
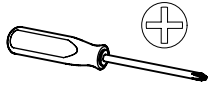
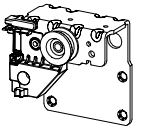
1x

1177

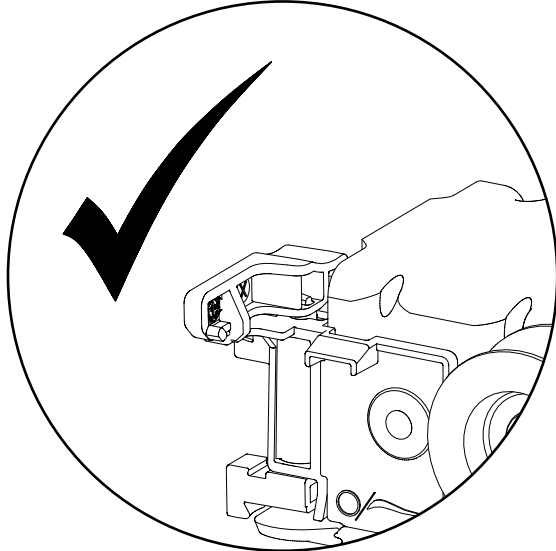


1x

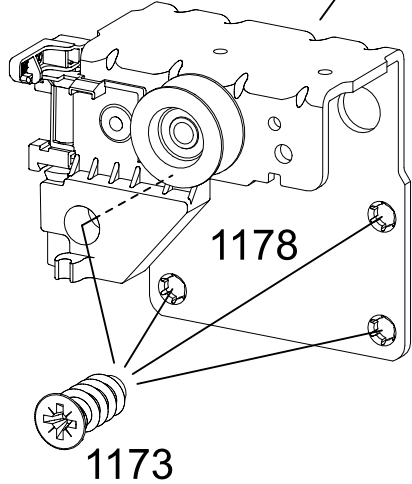
1178



1.



2.

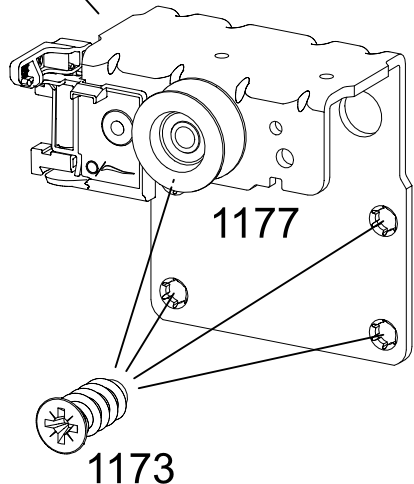


1178

1173

TU080

2.



1177

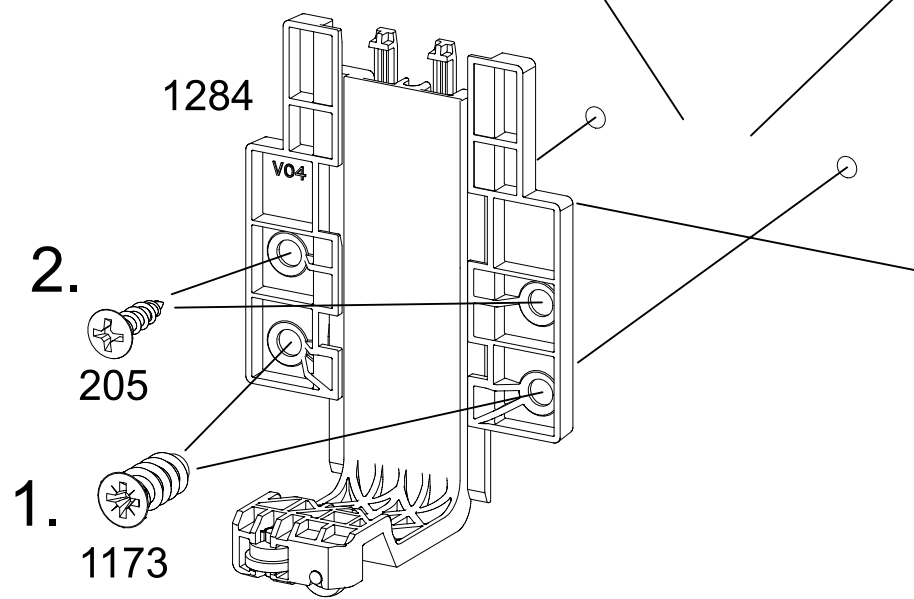
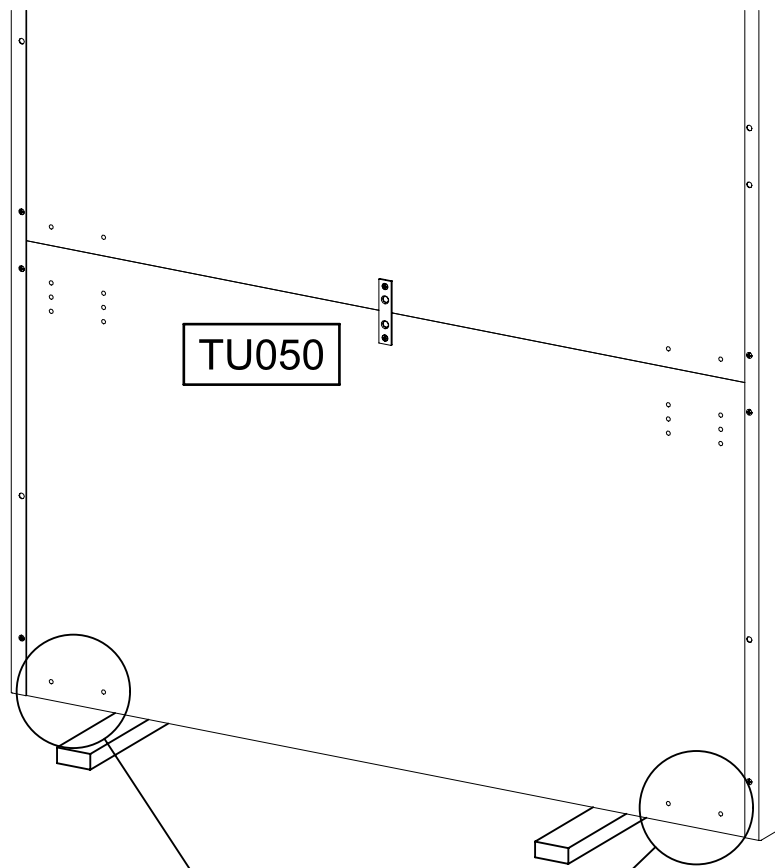
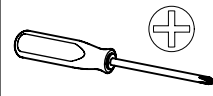
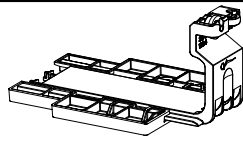
1173

14

4x 205 3,5x15

4x 1173 6,3x14

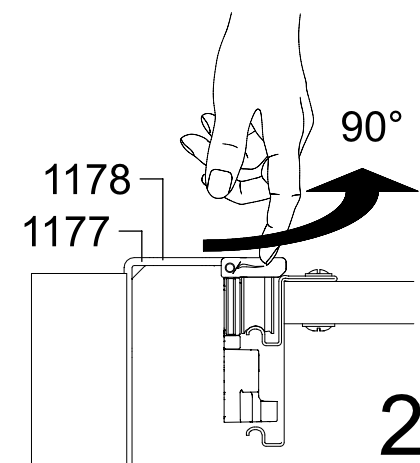
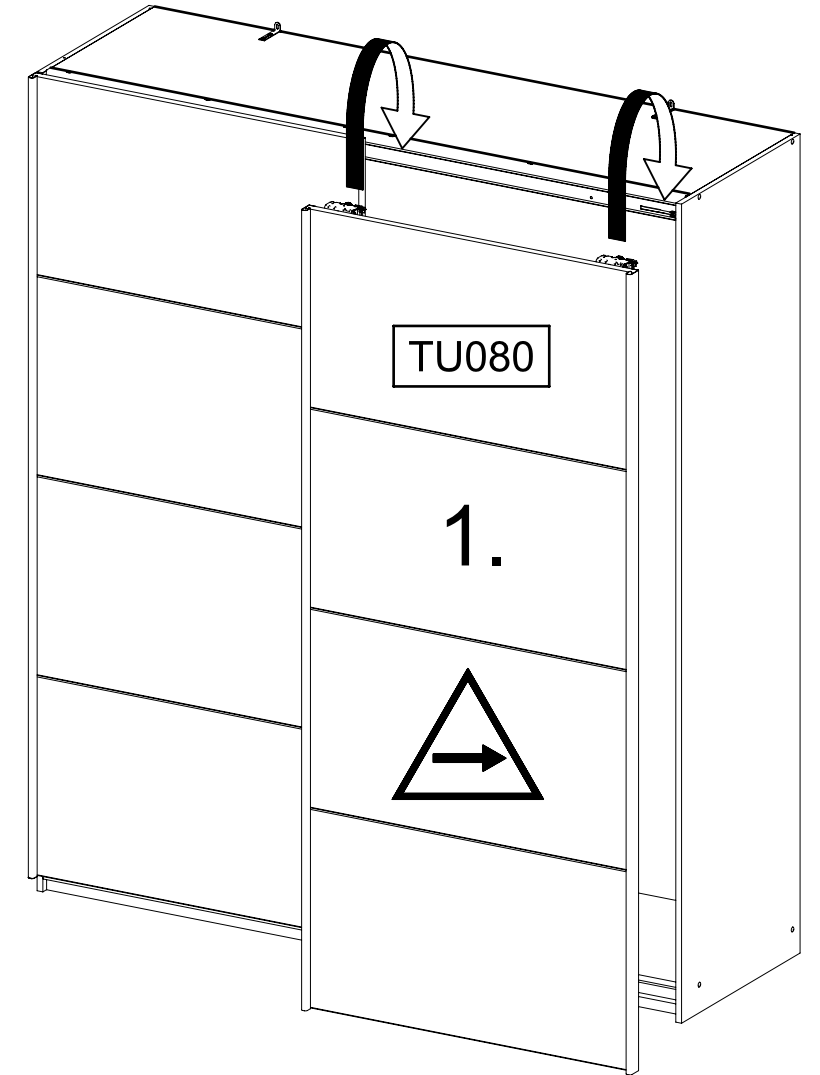
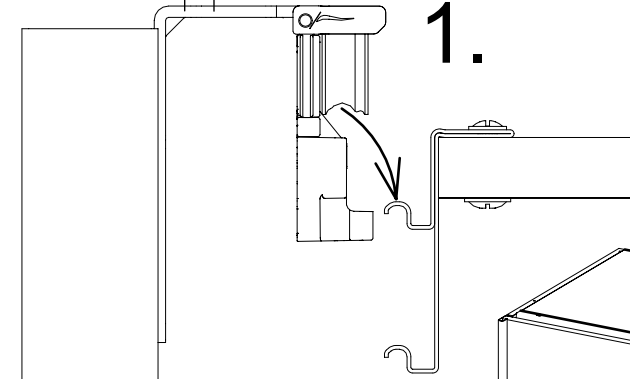
2x 1284



15

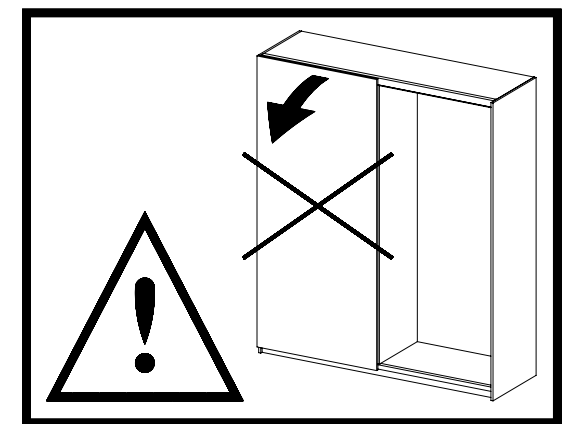
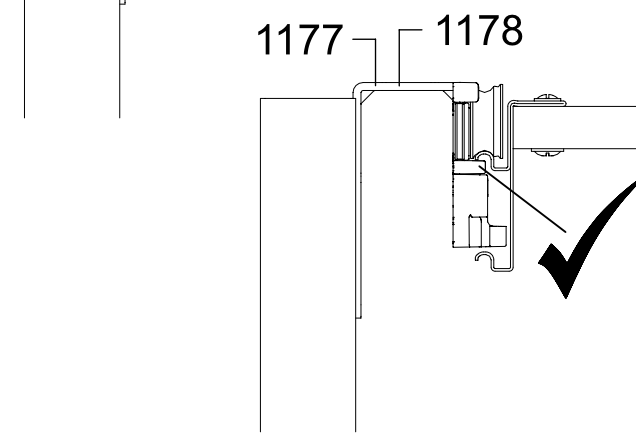
1177 1178

1.

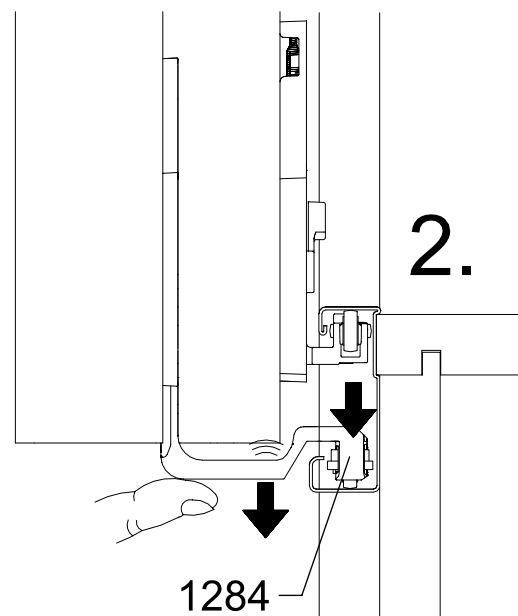
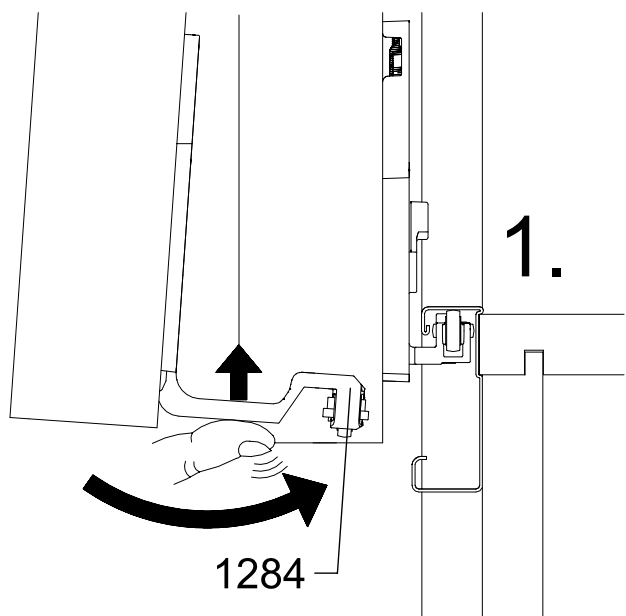
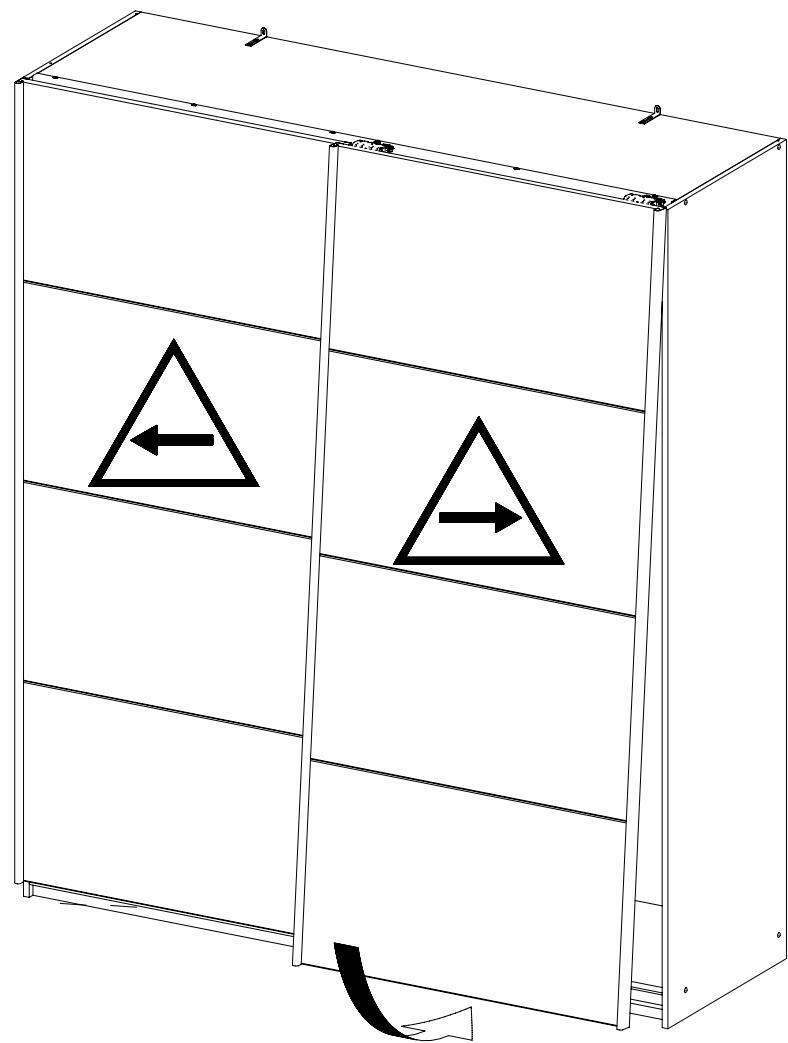


2.

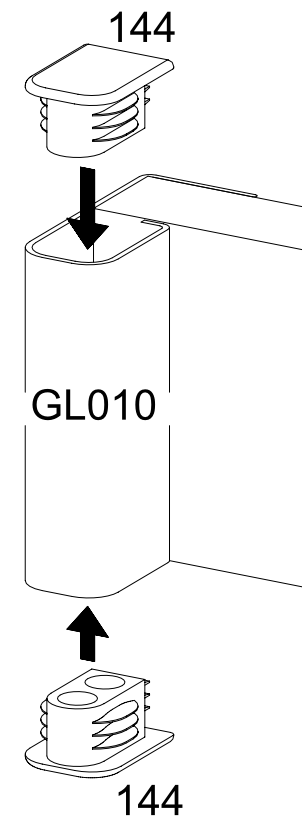
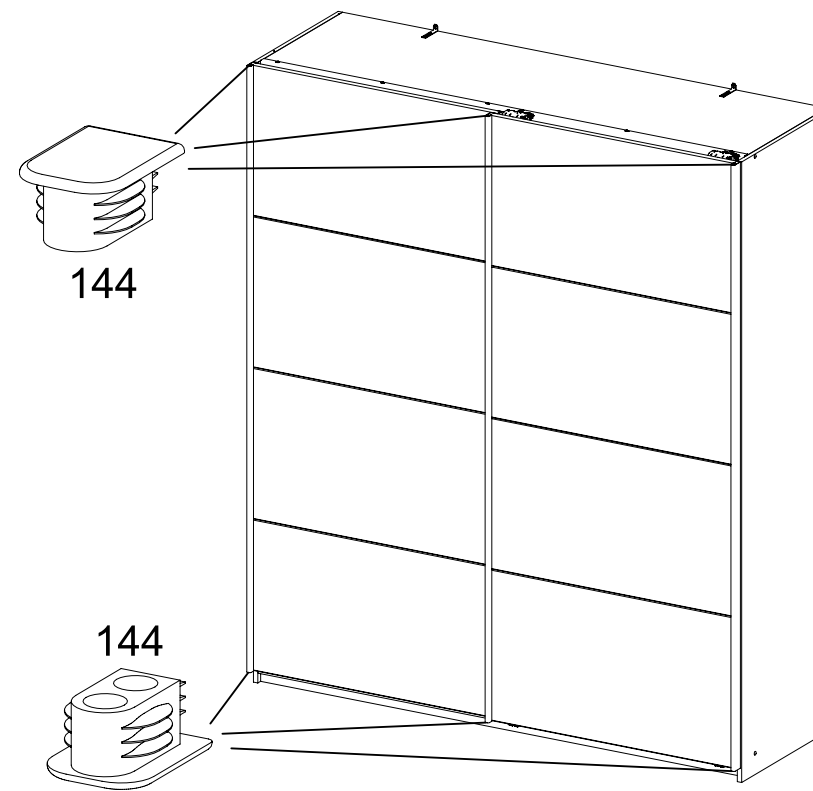
1177 1178

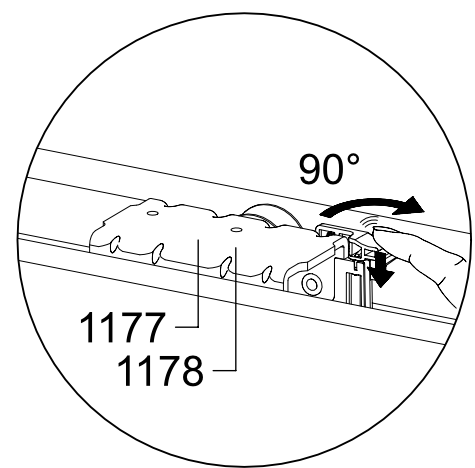


16

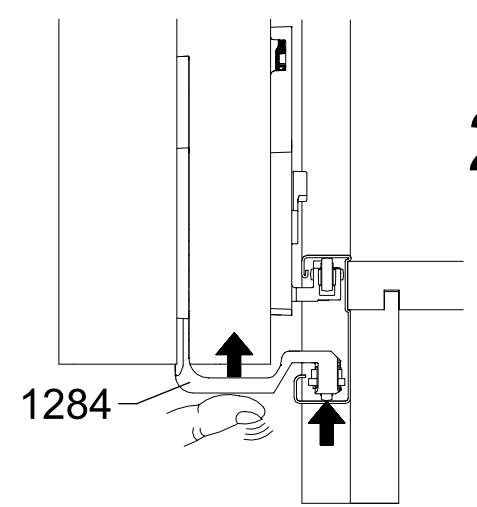
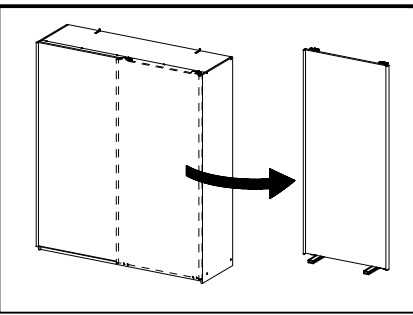
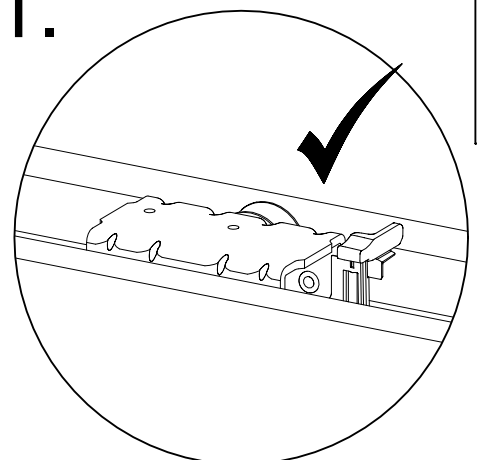


6x 144

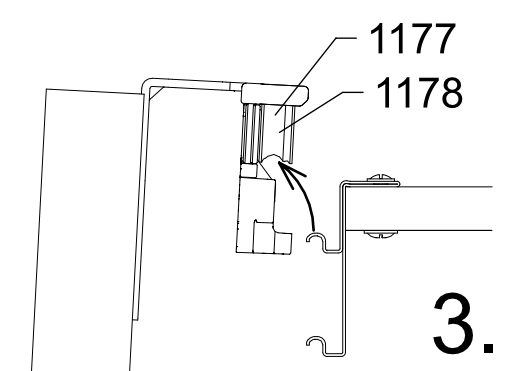
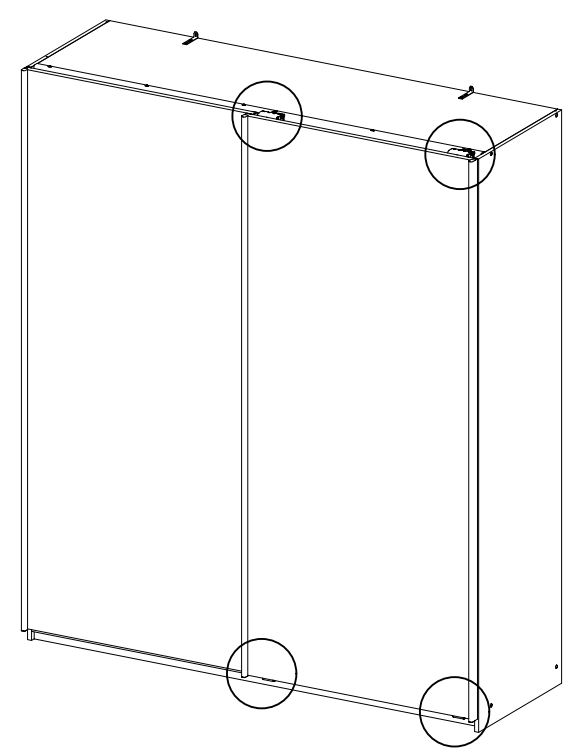
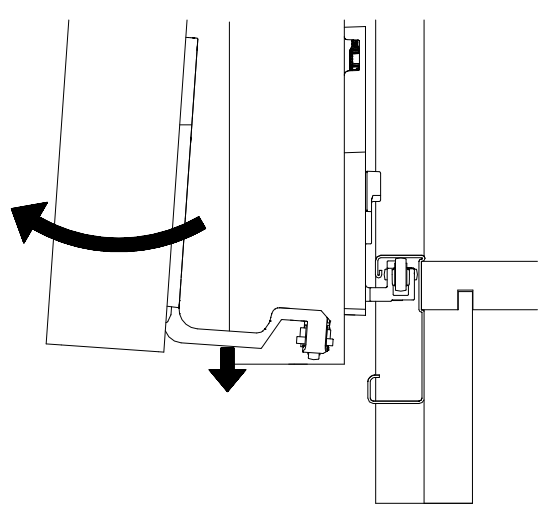




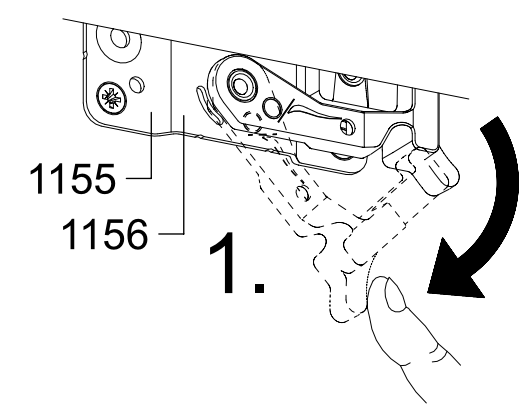
1.



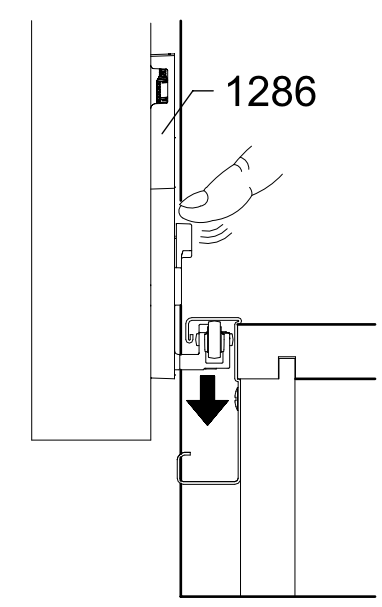
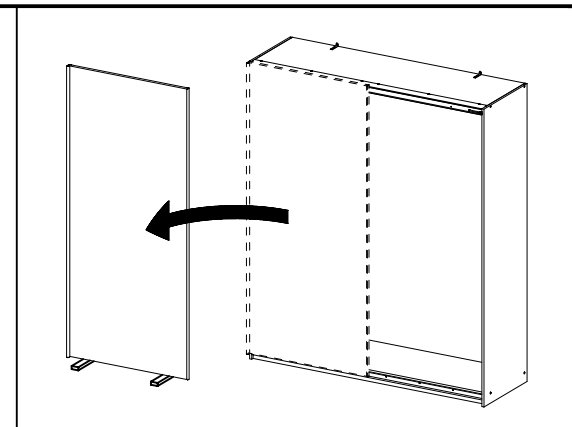
2.



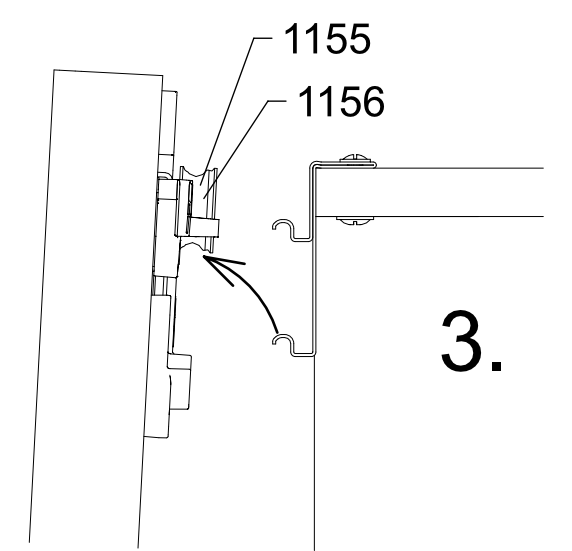
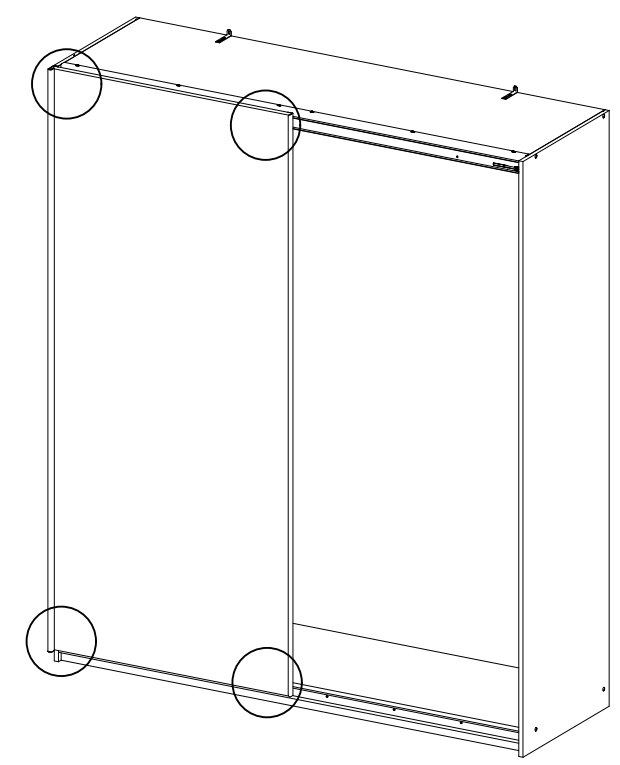
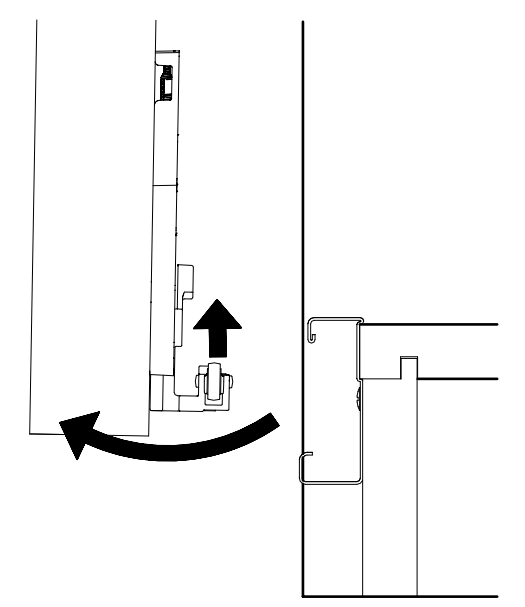
3.



1.

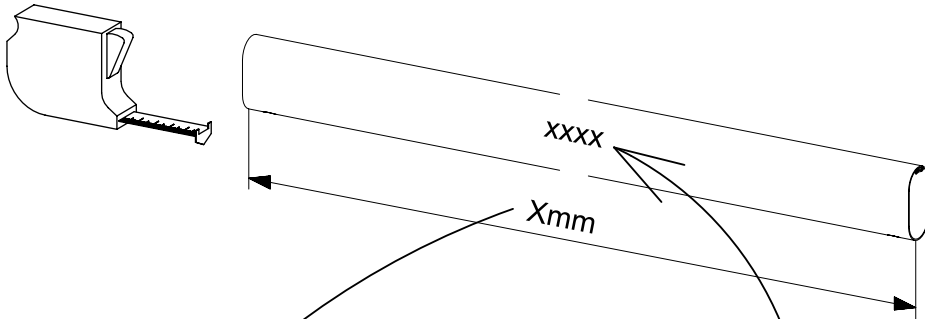
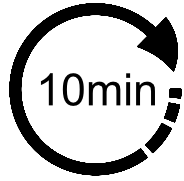
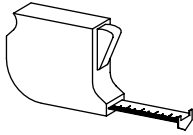
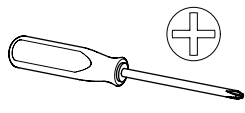


2.



3.

MZ110_04




Xmm	  	xxxx
393mm	max. 40kg	2000
426mm	max. 40kg	2001
538mm	max. 40kg	2011
563mm	max. 40kg	2002
650mm	max. 40kg	2003
809mm	max. 40kg	2004
873mm	max. 40kg	2006
890mm	max. 40kg	2010
1097mm	max. 40kg	2008

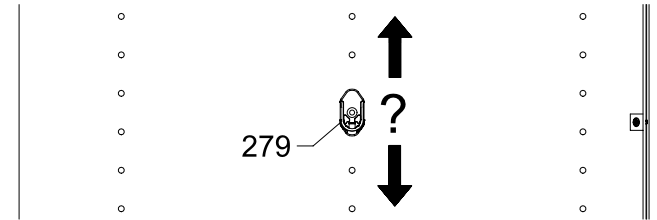
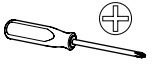
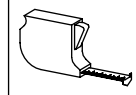


xxxx = 2000, 2001, 2002, 2003, 2004, 2006, 2008, 2010, 2011,

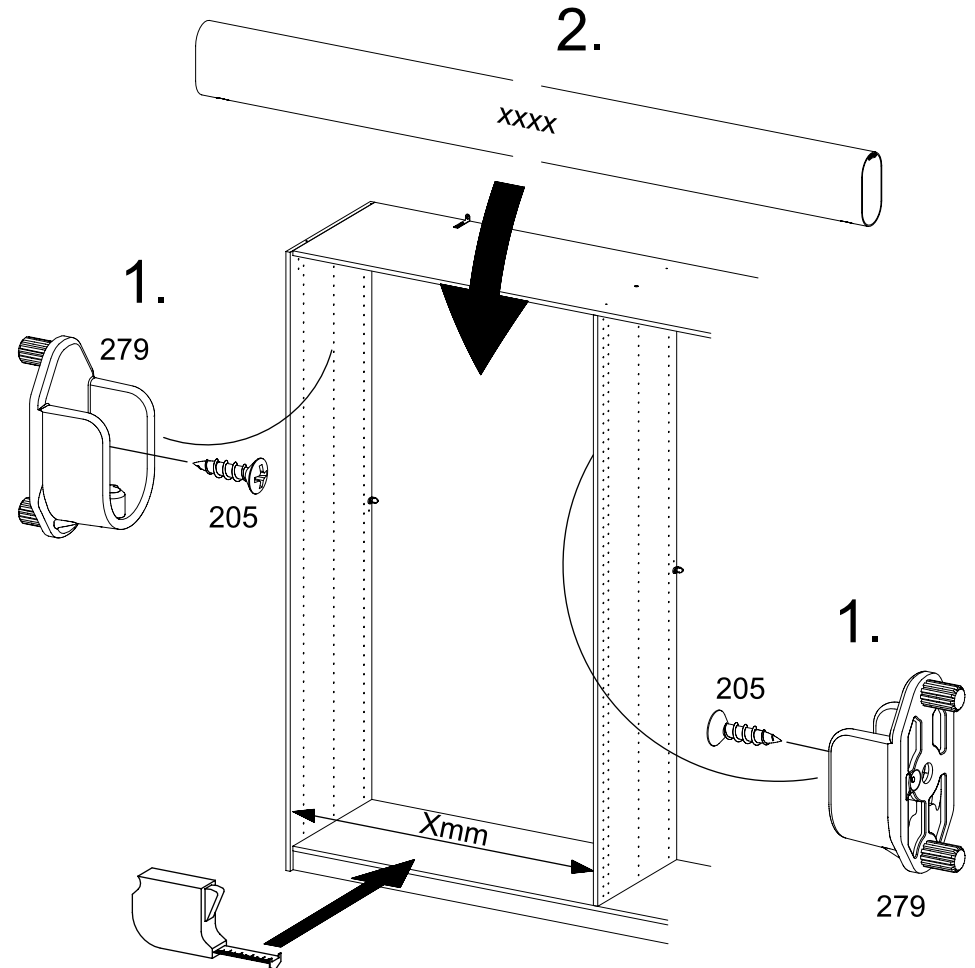
1

2x  3,5x15

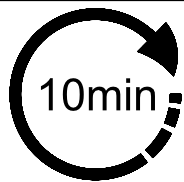
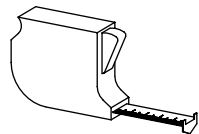
2x  279



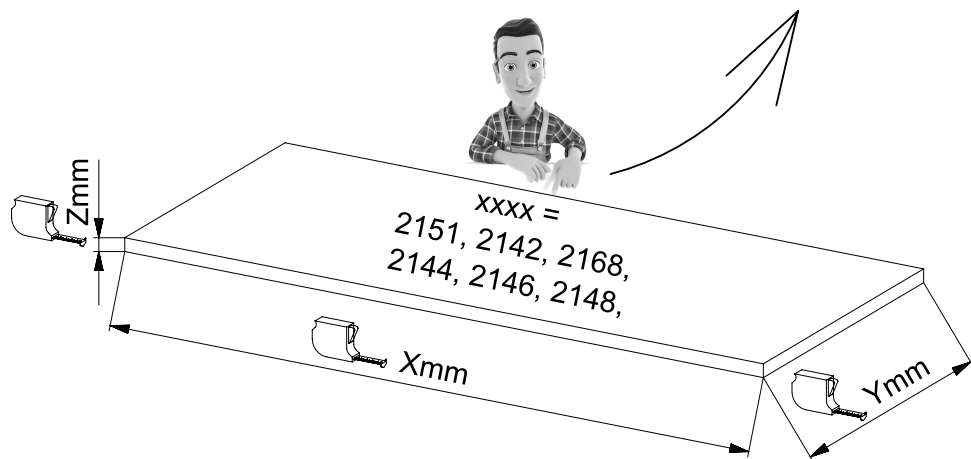
2.



MZ113_04

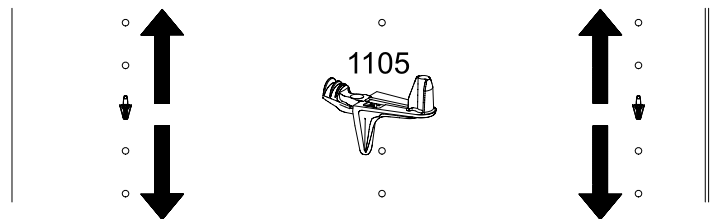


Xmm	Ymm	Zmm	max. 10kg	xxxx
241mm	480mm	16mm	max. 10kg	(2151)
432mm	480mm	16mm	max. 10kg	(2142)
544mm	480mm	22mm	max. 25kg	(2168)
656mm	480mm	16mm	max. 10kg	(2144)
880mm	480mm	16mm	max. 10kg	(2146)
1104mm	480mm	22mm	max. 25kg	(2148)

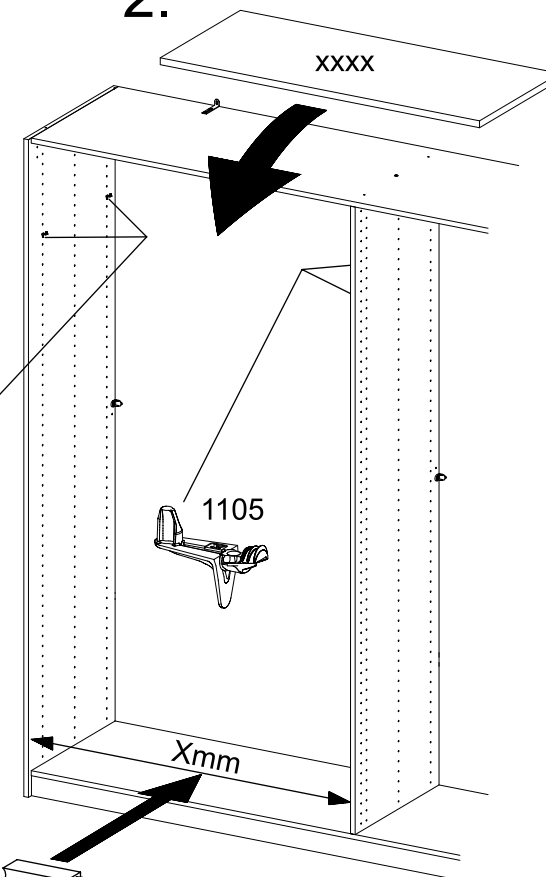


1

4x 1105



2.



3.

